

derope™ - EN 341 A - EN 1496 A

Installation, operating and maintenance manual	English Original manual	GB
Manuel d'installation d'emploi et d'entretien	Français Traduction de la notice originale	FR
Installations-, Gebrauchs- und Wartungsanleitung	Deutsch Übersetzung der Originalanleitung	DE
Handleiding voor installatie, gebruik en onderhoud	Nederlands Vertaling van de oorspronkelijke handleiding	NL
Manual de instalación, de utilización y de mantenimiento	Español Traducción del manual original	ES
Manuale d'installazione, d'impiego e di manutenzione	Italiano Traduzione del manuale originale	IT
Manual de instalação, de uso e de manutenção	Português Tradução do manual original	PT
Manual for installation, brug og vedligeholdelse	Dansk Oversættelse af den originale manual	DK
Руководство по установке, использованию и техническому обслуживанию	Русский Перевод инструкции изготовителя	RU

GB	<i>Descender - Height rescue system by lifting</i>
FR	<i>Descendeur - système de sauvetage par élévation</i>
DE	<i>Abseilgerät - Rettungshubgerät</i>
NL	<i>Neerlaatinstallatie - Reddingssysteem door elevatie</i>
ES	<i>Descensor - Sistema de salvamento por elevación</i>

IT	<i>Descensore - Sistema di salvataggio tramite elevazione</i>
PT	<i>Descensor - Sistema de salvamento por elevação</i>
DK	<i>Redningsapparat - Redningssystem ved ophejsning</i>
RU	<i>Спускное устройство – Подъемная спасательная система</i>

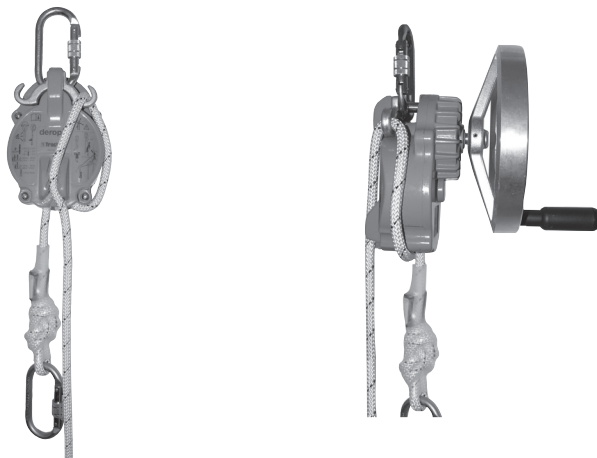


Table of contents

- 1. Important safety information 2
- 2. Definitions and pictograms 3
- 3. Presentation of Equipment 5
- 4. Function and description 6
- 5. Associated products 7
- 6. Installation 7
- 7. Use 11
- 8. Unauthorized use of derope™ equipment 13
- 9. Maintenance and storage 14
- 10. Periodic inspections and repair 14
- 11. Lifespan 15
- 12. Disposal 15
- 13. Product markings 15

Preliminary note:

With an aim to constantly improve its products, Tractel® reserves the right to make any changes it may deem necessary, at any time, to the equipment described in this manual.

The companies of the Tractel® group and their certified distributors will be happy to provide you, on request, with documentation concerning the complete range of Tractel® products:

Lifting and pulling systems and their accessories, worksite access equipment and building maintenance units, load safety systems, electronic load indicators, etc.

The Tractel® network also provides product support and periodic maintenance services.

1. Important safety information

1. Before installing and using the equipment described in this manual, and to ensure safe, efficient use, you must become familiar with the information contained in this manual and strictly comply with the instructions and information given in the manual.
2. This manual must be given to the derope™ descender user and should be available at all times to first aid and rescue personnel. Additional copies can be provided by Tractel S.A.S on request.
3. The derope™ descender must only be used, maintained and managed by persons perfectly familiar with the applicable safety regulations and standards for this type of equipment and any associated equipment, and having the

necessary authority to ensure that the applicable safety regulations and standards are observed. All derope™ descender users must read and understand the information contained in this manual. derope™ descender users must ensure that the associated Personal Protective Equipment (PPE) used is compatible with each other and with the derope™ descender. Commissioning of the derope™ descender must be verified by a qualified technician to ensure that the condition of the descender is compliant with the checks recommended in this manual.

4. Make sure all applicable work regulations are observed whenever use of the derope™ is entrusted to any salaried or related personnel.
5. All persons using the derope™ descender must satisfy the necessary physical and professional aptitude requirements for work carried out at heights and for rescue procedures. In case of doubt, contact your doctor or company physician. All derope™ descender users must have successfully completed appropriate classroom and practical training, under risk-free conditions, associating Personal Protective Equipment in compliance with all applicable safety requirements. The training course must fully cover the sections of this manual concerning utilization. Use of the descender is prohibited for pregnant women.
6. The derope™ descender must only be used for evacuation and rescue of persons in compliance with the instructions given in this manual. No other use is authorized. In particular, the descender must never be used as a suspension system or as a component of a fall-arrest system as understood by the terms of standard EN 363.
7. Before using the descender, make sure that all markings on the descender are legible. For any request, contact Tractel S.A.S or its distributor.
8. Use of the derope™ descender requires the user to associate and connect fall-arrest or rescue Personal Protective Equipment. A fall-arrest harness (EN 361), a rescue harness (EN 1497), a rescue strap (EN 1498 class A or class B) are the only body fastening devices authorized to be fitted on a person to be rescued during a rescue operation, connecting such devices to the derope™ descender.
9. Any fastening point to which the derope™ descender is secured must satisfy the requirements of standard EN 795, or otherwise have a capacity resistance of at least 10 kN (1 ton).
10. Contact Tractel S.A.S prior to any use of the equipment in an environment presenting a specific risk, in particular, but not limited to: a corrosive environment or environment presenting a chemical

hazard, an explosive environment, an environment presenting an electrical hazard, a radiation hazard, etc.

11. Before each use, the rescue operator must visually inspect the derope™ descender to ensure that it is in good operating condition, as well as the associated Personal Protective Equipment, that such equipment is compatible and correctly set up and connected in compliance with the recommendations given in their respective user manuals.
12. Before using the equipment covered by this manual, ensure there is no obstacle along the evacuation path, and no risk of contact with a dangerous object.
13. Before using the descender, refer to the rescue plan prepared by the person in charge of the intervention site.
14. Tractel S.A.S recommends that each rescue operator be equipped with a communication device in order to be able to trigger an emergency call in the event of an incident.
15. In a fall-arrest system, it is indispensable to check the free space under the rescue operator, on the work location before each use, so that in the event of a fall, there is no risk of hitting the ground. The fall path must be checked to be free of any obstacles which could be hit in the event of a fall. The fall-arrest safety height must be sufficient.
16. The equipment covered by this manual is suitable for use at temperatures of between -35°C and 50°C. At negative temperatures (-35°C to 0°C), you must ensure that the equipment is dry, including the rope.
17. When using the equipment covered in this manual, you must observe, in compliance with § 7-1:
 - The maximum load.
 - The minimum load of 30 kg.
 - The maximum descent height.
 - The number of repeated descents.
 - The combined height of the descents.
18. If the combined height of the descents reaches the specified limit, the equipment must be overhauled (see § 10-1).
19. The derope™ UP R descender must only be used with the Tractel® tracpode tripod. Any similar use with a tripod of another source is prohibited.
20. After each use of the derope™ descender, the descender and the associated Personal Protective Equipment concerned must be inspected before it is returned to service. The inspection must be carried out in compliance with the instructions given in this manual by a qualified technician giving written authorization for re-use of the equipment. Should any defect be observed, or should any doubt arise

as to the condition of the derope™ descender or of an associated Personal Protective Equipment, the defective equipment must be consigned to prevent any further use prior to repair, on completion of which re-use must be authorized in writing by a qualified, trained technician. Any derope™ descender showing any damage or for which there is any doubt as to its safe utilization condition, should be returned to Tractel S.A.S or to one of its approved distributors.

21. The derope™ descender and the associated Personal Protective Equipment must be inspected periodically at least once every 12 months by a qualified technician trained for this purpose and qualified to authorize in writing re-use of the equipment. This training can be provided by Tractel S.A.S. The inspection must be conducted in compliance with directive 89/656/CEE and with the instructions given in this manual and in the maintenance manual.
22. Tractel S.A.S declines all responsibility for any consequences arising from disassembly of the derope™ descender or any changes made to the unit without express Tractel® authorization, especially as concerns replacement of the rope by a non-authorized person.
23. To ensure safe evacuation or rescue of a person, if the derope™ descender is sold outside the first country for which it was intended, the re-seller must supply this manual in the language of the country in which the derope™ descender will be used.


2. Definitions and pictograms


2.1. Definitions


- **Descender:** Rescue device by which a person can descend from a height to the ground, at controlled speed, alone or with the assistance of a rescue operator. The descender is compliant with standard EN 341.
- **User:** Person or department responsible for the management and safe use of the product described in this manual. (Do not confuse with “operator” even though this may be the same person). The “user” is neither the “customer” or the “operator”.
- **Technician:** Qualified person who is skilled and familiar with the product and is in charge of the maintenance operation described and permitted to the user by this manual.
- **Connector:** Connection device for connection between components of a fall-arrest system. The connector is compliant with standard EN 362.
- **Rope:** Rope having a multi-filament core and a cylindrical exterior sheath.

- **Anchor:** Fall-arrest system fastening device with minimum capacity of 10 kN (1 ton). The anchor is compliant with standard EN 795.
- **Belay lanyard:** Connecting element between a fastening point and a system to be secured.
- **Clam cleat:** Rope blocking system.
- **Rope guide:** Rope return system.
- **Bracket:** Descender fastening device for mounting on a ladder or tripod.
- **Rescue fastening point:** Specific connecting point on a harness or rescue strap for fastening rescue or evacuation systems.
- **Handwheel:** Handwheel used on derope™ UP descender to bring up a person by a few meters.
- **Fall arrest harness:** Body harness intended to stop falls. The harness is formed by straps and buckles. It comprises fall-arrest fastening points marked with an A if they can be used alone, or marked with an A/2 when they must be used in combination with another A/2 point. The harness is compliant with standard EN 361.
- **Rescue harness / rescue strap:** body fastening devices intended to maintain a person to be evacuated in a given position during a rescue operation. These devices are compliant with standards EN 1497 and EN 1498.
- **Rigging tripod:** Tripod with 3 legs adjustable for height and forming an anchor point. It is compliant with standard EN 795 class B.
- **Voluntary evacuation:** Person is evacuated alone or with the assistance of a qualified person from a height down to the ground.
- **Rescue evacuation:** The victim is evacuated by a rescue operator.
- **Multi-anchoring plate:** This plate is used to fasten several connectors to a same fastening point. It is used to orient and distribute the load during rescue maneuvers.
- **In-line double pulley block:** Pulley equipped with two aligned sheaves, suitable for evacuation on a tensioned rope. The pulley is compliant with standard EN 12278.

2.2. Pictograms

 **DANGER:** Placed at the beginning of a line, designates instructions aimed at avoiding injury to persons, in particular mortal, serious or light injuries, and damage to the environment.

 **IMPORTANT:** Placed at the beginning of a line, designates instructions intended to avoid a failure or damage to equipment, but not directly endangering the life or safety of the operator or any other persons, and/or not representing any hazard to the environment.

 **NOTE:** Placed at the beginning of a line, designates instructions intended to ensure an efficient

or appropriate installation, utilization or maintenance operation.



You must read the user manual.



ENTER INFORMATION ON INSPECTION SHEET:

Enter the information on the detachable inspection sheet located on the central page of this manual.

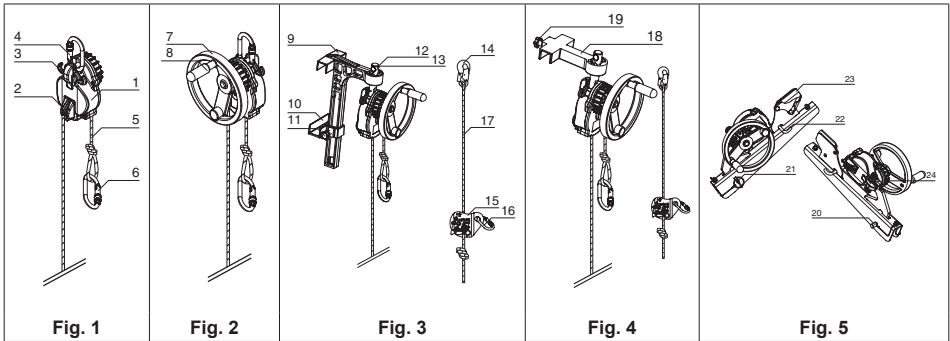
3. Presentation of Equipment

GB

3.1. Equipment Versions

Commercial designation	derope™ STD Fig.1	derope™ UP A Fig.2	derope™ UP B Fig.3	derope™ UP K Fig.4	derope™ UP R Fig.5
Description	Standard derope™ descender.	derope™ descender with Recovery system.	derope™ descender equipped with recovery system equipped with large bracket.	derope™ descender equipped with recovery system equipped with small bracket.	derope™ descender with recovery system supplied with bracket for rigging tripod.
Functional description	Controlled-speed descender for vertical evacuation.	derope™ STD descender equipped with rescue function for lifting up using a handwheel.	derope™ UP A descender equipped with a mounting bracket for ladder with locking system.	derope™ UP A descender equipped with a support bracket for ladder.	derope™ UP A descender equipped with a mounting bracket for Tractel™ tracpoce rigging tripod.
Composition of delivery	<ul style="list-style-type: none"> - Descender. - Rope. - 3 connectors. - Manual + Compliance certificate. 		<ul style="list-style-type: none"> - Descender. - Rope. - 2 connectors. - Belay lanyard equipped with two connectors and length adjustment device LCM 05. - Mounting or support bracket. - Manual + Compliance certificate. 		<ul style="list-style-type: none"> - Descender. - Rope. - 2 connectors. - Mounting bracket equipped with fastening pin for tripod. - Manual + Compliance certificate.

3.2. Equipment Diagrams



- 1: casings
- 2: clam cleat
- 3: rope guide
- 4: upper connector
- 5: rope
- 6: rope end connector
- 7: handwheel
- 8: folding handle
- 9: mounting bracket for ladder with locking system
- 10: locking slide
- 11: locking pin
- 12: fastening pin
- 13: indexing pin
- 14: belay lanyard connector
- 15: adjustment device LCM 05
- 16: connector for adjustment device LCM 05
- 17: belay lanyard
- 18: small support bracket
- 19: locking pin
- 20: fastening pin
- 21: safety pin
- 22: bracket rope guide
- 23: rope blocking device
- 24: locking screw

Compliance with regulations

- EN 341 class A: high capacity descender.
- EN 1496 class A: rescue system by upward evacuation.
- Article 11 B of Directive 89/686/CEE, under the control of a notified organization: APAVE SUDEUROPE, CS60193, F-13322 Marseille, Cedex 16, France, identified by number 0082.
- The equipment is identical to the PPE covered by the CE type examination issued by APAVE SUDEUROPE, CS60193, F-13322 Marseille, Cedex 16, France, identified by number 0082, and tested in accordance with standards EN 341, class A dated 1993 and EN 1496 class A dated 2006.

4. Function and description

4.1. Functions

4.1.1. Descender function

This function enables lowering 1 or 2 persons at a controlled speed of between 0.5 and 2 m/s by means of a centrifugal braking system which operates in both directions. The device can be used in pendular mode. The descender function is provided on all the models of the Tractel® derope™ product line.

4.1.2. Recovery function

This function enables the person to be rescued to be evacuated from above.

- It can be achieved using a hand wheel fitted with a retractable handle, operated by the rescuer. The ascent speed is approximately 1m/min.
- It can be achieved using a hand tool like a drill / driver tightened onto the six sided centre of the pinion of the hand wheel. The ascent speed is approximately 5m/min.

This feature is present on derope™ devices UP A / B UP / UP K / UP R.

4.1.3. Slowdown or stop descent function

By running the free strand of the device rope in the cord guide, the rescue operator can manually slow down or stop the descent. To keep the device stopped, the free strand must be inserted in the clam cleat on the unit. This function is provided on all the models of the Tractel® derope™ product line.

4.1.4. Rigging function

4.1.4.1. derope™ STD and UP A descenders

These 2 descenders are secured by means of a connector at the top of the unit fastened to any fastening point complying with the requirements of standard EN 795 or to any structure having a minimum capacity of 10 kN (1 ton).

4.1.4.2. derope™ UP B descender

This descender is equipped with a mounting bracket for ladders. The bracket must be locked on two consecutive bars of the ladder and must be secured with the belay lanyard as instructed in § 6.

4.1.4.3. derope™ UP K descender

This descender is equipped with a support bracket for bar or ladder. The bracket must be locked and secured using the belay lanyard as instructed in § 6.

4.1.4.4. derope™ UP R descender

This descender is equipped with a mounting bracket designed exclusively for mounting on the Tractel® trapode rigging tripod. The bracket must be locked on one of the tripod legs using its fastening pin.

4.2. Accessories

The special bag for derope™ descender with reel is designed to receive the derope™ STD or derope™ UP A descender with up to 80 meters of rope. The bag ensures easy transport and handling of the equipment for rescue interventions. derope™ devices can be equipped with an optional reel for unwinding, thus removing the risk of entanglement of the lanyard when put into use.

4.3. Technical specifications and use of product with materials use

Commercial designation	derope™ STD	derope™ UP A	derope™ UP B	derope™ UP K	derope™ UP R
Weight (kg)	1.9	3.0	6.1	4.6	6.5
Dimensions for information (mm) (h × l × d)	170 × 120 × 105	225 × 200 × 165	430 × 200 × 315	265 × 200 × 325	485 × 265 × 165
Recovery winch	Not applicable	Yes			
Maximum recovery load	Not applicable	120 kg			
Force at handwheel handle	Not applicable	5 kg			
Standards	EN 341 Class A	EN 341 Class A + EN 1496 class A			
Descent speed	Between 0.5 m/s and 2 m/s				
Rope	Tractel® rope diameter 10.5 mm				

4.4. Rope

⚠ DANGER: Only the Tractel® rope supplied with the descender is approved for use with the Tractel® derope™ descender. This rope can be supplied in lengths of 10 to 400 m in accordance with the Tractel® sales conditions.

5. Associated products

5.1. Body harnesses and straps

- Fall arrest harness compliant with standard EN 361. The person to be rescued must be connected to the fall-arrest fastening points. A fall-arrest fastening point is marked with an A when it can be used alone, or with an A/2 when it must be used in combination with another fall-arrest point marked with an A/2.
- Safety harness or safety strap compliant with standards EN 1497 or EN 1498. The person to be rescued must be connected to the rescue fastening point identified by a label placed near the fastening point.

5.2. Anchoring devices

- The anchoring devices must satisfy the requirements of standards EN 795. These must be capable of safely handling a minimum load of 10 kN (1 ton).
- The derope™ UP R descender is specially designed and approved for mounting on a leg of the Tractel® trapcode rigging tripod.

⚠ DANGER: Any similar use with a tripod of another source is strictly prohibited.

5.3. Double in-line pulley

- Pulley equipped with two aligned sheaves, designed for evacuation on a tensioned rope.

5.4. Multi-anchoring plate

- The multi-anchoring plate is used to fasten several connectors to a single fastening point. The plate allows orienting and distributing the load during rescue operations.

5.5. Drill / Driver

- Minimum 300 W Drill / driver can be used for derope™ UP to assist the operator during evacuation from above.
- When using a cordless drill / driver, it must have a minimum 14 V battery to be powerful enough for this operation.

6. Installation

6.1. Preliminary requirements prior to installation

1. The derope™ descender must only be installed by a trained, skilled technician.
2. The derope™ descenders must only be installed and used in compliance with the laws and regulations of the country in which they are used.

6.2. Checks before installation

⚠ DANGER: The checks detailed below must be carried out in advance whenever use of the derope™ descender may be considered, to avoid an emergency situation which would prevent you from carrying out the checks.

1. Visual check of host structure:
 - Fastening point for derope™ STD and UP A descenders: compliant with standard EN 795, or having minimum capacity of 10 kN (1 ton).
 - Ladder for derope™ UP B and UP K descenders:
 - Uprights show no bending, and are correctly secured to wall: minimum capacity of 10 kN (1 ton).
 - Bars on which bracket is to be installed should not show any signs of deformation.
 - Tractel® trapcode rigging tripod for derope™ UP R descenders.
 - Telescopic legs show no signs of deformation or bending.
 - Rubber shoes present on all legs.
 - Idler pulley present at trapcode tripod head.
 - No signs of deformation, corrosion of trapcode tripod head.
 - Rope anti-jump pin present on idler pulley.
2. Visually inspect rope along its entire length, and at its ends, to ensure the integrity of the rope sheath and the regularity of its diameter.
3. Functionally check the descender by manually moving the rope in the device over a minimum length of 1 m in both directions to make sure that the resistance during movement increases with the speed of movement.
4. Check that the casings are in good condition: these should show no signs of significant damage; all markings should be present and legible.
5. Check the connectors: these should show no signs of deformation or corrosion, and should close and lock correctly.
6. Check the brackets used with the derope™ UP B / UP K / UP R descenders: these should show no signs of deformation or corrosion, and should lock correctly.

7. Check the belay lanyards used with the derope™ UP B and UP K descenders: check the rope, connectors, and the length adjustment device.
8. Check all the products associated in accordance with the recommendation given in their respective manuals.
9. Check that the derope™ descender has been covered by a periodic inspection over the past 12 months.
10. Check that the derope™ descender has the required potential for the number of consecutive descents, descent height and evacuation load to carry out the operation planned: see table 2 of § 7-1.

⚠ DANGER: If any anomaly is observed during these checks, the unit must be consigned to prevent any use, and should be submitted for repair by a trained, qualified repair technician (see § 10-1).

6.3. Installing the derope™ descender

6.3.1. derope™ STD and derope™ UP A descenders

1. Identify or prepare the fastening point to receive the derope™ descender
2. Make sure that the fastening point complies with EN 795 or has a capacity of at least 10 kN (1 ton).
3. Secure the derope™ descender by its upper connector to the fastening point to be used for the rescue operation, above the person to be evacuated.
4. Lock the connector.
5. Throw the rope down, making sure that it is not tangled or has any knots, that it does not rub against a sharp edge and that it reaches the ground.
6. Check that there are no obstacles along the evacuation path and on the reception area. Examples: electrical wires, concrete strengthening iron rods, glazed surface.

6.3.2. derope™ UP B descender (Fig.6)

1. Place the large locking bracket on the ladder bar in the position chosen to carry out the rescue operation above the person to be evacuated (Fig.6, 1).
2. Push up the locking slide at the ladder bar immediately below the bar receiving the large bracket (Fig.6, 2).
3. Tighten the locking pin securing the slide using the clamping knob located on the side of the bracket (Fig.6, 3).
4. Install the belay lanyard:

- Secure the connector of the adjustment device LCM 05 in the hole at the top of the fastening pin (Fig.6, 4.1).
 - Run the belay lanyard around the ladder bar located above the bracket, going around one of the ladder uprights (Fig.6, 4.2).
 - Connect the belay lanyard connector in the connector of the adjustment device LCM 05 (Fig.6, 4.3).
 - Tension the belay lanyard by pulling on the free strand (Fig.6, 4.4).
5. Throw the rope down, making sure that it is not tangled or has any knots, that it does not rub against a sharp edge and that it reaches the ground.
 6. Check that there are no obstacles along the evacuation path and on the reception area. Examples: electrical wires, concrete strengthening iron rods, glazed surface.
 7. Align the derope™ descender as may be required, modifying the position of the fastening pin in the indexing device (Fig.6, 7.1 – 7.2).

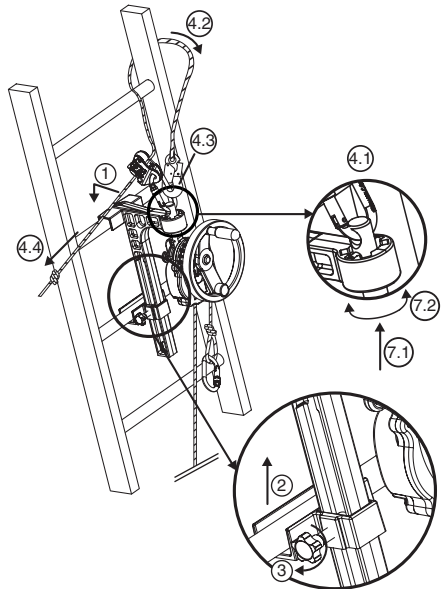


Fig. 6

6.3.3. derope™ UP K descender (Fig. 7)

1. Place the small support bracket on the ladder bar in the position required to carry out the rescue operation above the person to be evacuated (Fig.7, 1).
2. Tighten the locking pin located at the back of the support bracket using the clamping knob (Fig.7, 2).

3. Install the belay lanyard:
 - Secure the connector of the adjustment device LCM 05 in the hole at the top of the fastening pin (Fig.7, 3.1).
 - Run the belay lanyard around the ladder bar located above the bracket, going around one of the ladder uprights (Fig.7, 3.2).
 - Connect the belay lanyard connector in the connector of the adjustment device LCM 05 (Fig.7, 3.3).
 - Tension the belay lanyard by pulling on the free strand (Fig.7, 3.4).

⚠ DANGER: Risk of fatal fall if belay lanyard is not correctly installed.

4. Throw the rope down, making sure that it is not tangled or has any knots, that it does not rub against a sharp edge and that it reaches the ground.
5. Check that there are no obstacles along the evacuation path and on the reception area. Examples: electrical wires, concrete strengthening iron rods, glazed surface.
6. Align the derope™ descender as may be required, modifying the position of the fastening pin in the indexing device (Fig.7, 6.1 – 6.2).

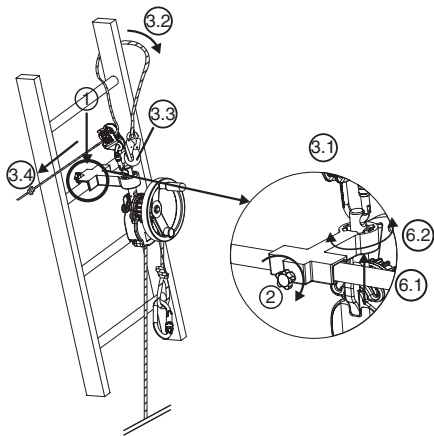


Fig. 7

6.3.4. derope™ descender UP R (Figs. 8, 9 and 10)

The derope™ UP R descender must be secured to the leg of the Tractel® trapcode as shown in Fig.8. Any other mounting position on any other point of the Tractel® trapcode is strictly prohibited.

To use the derope™ UP R descender on one of the 3 legs of the trapcode tripod, the tripod must be equipped with an idler pulley at the upper part, or with two pulleys if another device is implemented on the same trapcode

tripod (blocfor™ automatic return fall-arrest device or caRol™ winch).

If the derope™ UP R descender is not installed on the bracket for use with the Tractel® trapcode, install the bracket as instructed below:

1. Unscrew the screw securing the hook by which the bracket is fastened to the derope™ UP R descender (Fig. 8,1).
2. Install the derope™ UP R descender on the fastening hook (Fig. 8, 2.1 – 2.2).
3. Screw in the locking screw to prevent the unit from separating from its bracket (Fig.8, 3) and check that it is properly positioned and tightened.

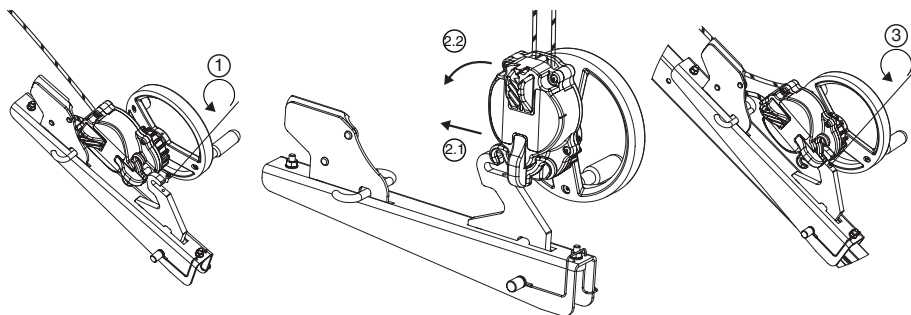


Fig. 8

When the derope™ UP R is installed on the console for Tractel®'s tracpode,

1. Place the Tractel® tracpode tripod, still folded, on the ground.
2. Adjust the legs of the Tractel® tracpode tripod to the required height: please refer to the tracpode tripod instruction manual.
3. Select the leg of the Tractel® tracpode tripod that has a return pulley at the top; withdraw the locking pin from this leg.
4. Position the console docking hole opposite the locking hole of the Tractel® tracpode tripod leg.

IMPORTANT: Please pay attention to the assembly direction: the halyard blocker must be directed toward the top of the tracpode tripod (Fig. 9).

5. Insert the derope™ UP R console locking pin. This locking pin fulfils two functions: locking the foot of the tracpode tripod and docking the derope™ UP R console onto this leg (Fig. 9, 5).
6. Lock-off the docking pin with the split-pin (Fig. 9, 6).
7. Totally unfold the 3 legs of the tracpode tripod.
8. Remove the ball screw located above the return pulley at the top of the tracpode tripod (Fig. 10, 8).
9. Pass the derope™ halyard around the return pulley (Fig. 10, 9).
10. Replace the ball screw in order to prevent the halyard from escaping the return pulley (Fig. 10, 10).
11. Open the halyard clamp in the console (Fig. 9, 11).
12. Insert the halyard coming out of the derope™ device into the halyard clamp on the console (Fig. 9, 12).

13. Throw the halyard downwards, making sure it does not tangle, has no knots, is not rubbing against a sharp edge and does reach the ground.

14. Close the halyard clamp in the console (Fig. 9, 14).

15. Check that there are no obstacles in the path of evacuation or on the landing zone. Examples: electrical wires, concrete reinforcer bars, glazed area.

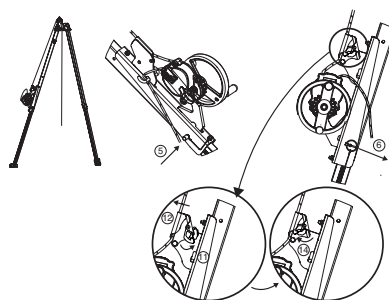


Fig. 9

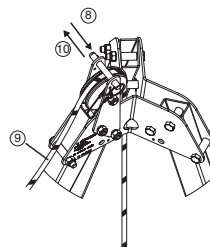


Fig. 10

6.3.5. derope™ UP with drill / driver

⚠ DANGER :

- Before setting up the drill / driver at the end of the axis of the derope™ UP R device hand wheel, ensure that the retractable handle of the hand wheel is folded in.
- Place the chuck of the drill / driver around the 6 sides at the end of the hand wheel axis.
- Tighten the chuck on the 6 sided axis.

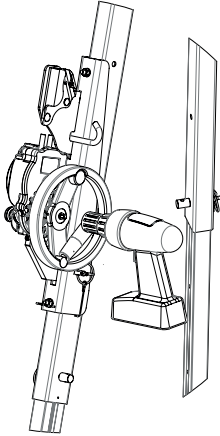


Fig. 11

7. Use

7.1. Recommendations for use and operating limits of derope™ descender

⚠ DANGER: derope™ descenders are often used when performing work at heights. In this respect, do not forget that work at heights is subject to the following rules:

- Persons working at heights must be in perfect physical and psychological condition.
- Persons working at heights must be perfectly trained in this respect.
- Working at heights is prohibited for pregnant women.
- A rescue plan must be prepared before beginning any work performed at heights.

For voluntary evacuation purposes, the derope™ descenders must only be used by trained, qualified technicians, or failing this, under the supervision of a qualified technician.

For rescue evacuation purposes, the rescue operations must only be carried out by persons trained and qualified for this purpose.

The utilization recommendations for the various models of the derope™ descenders are given in the table below.

Utilization	derope™ STD	derope™ UP A	derope™ UP B	derope™ UP K	derope™ UP R
Vertical voluntary evacuation	Yes	Yes	Yes (*)	Yes (*)	No
Voluntary evacuation on an inclined surface	Yes	Yes	No	No	No
Rescue evacuation	(***)	Yes	Yes (*)	Yes (*)	Yes (**)

*: Utilization on ladder only

** : Utilization on Tractel® tracpode tripod above an opening over an open space, such as a well, silo, etc.

***: No, if derope™ descender is used alone; yes, if derope™ descender is used with a personal lifting system by which the person to be evacuated can be raised to release the tension on the fall-arrest system.

⚠ DANGER: For descending, use of the derope™ descender is limited with respect to load, descent height and number of repeated descents.

For a single descent:

- the maximum load is 225 kg for a maximum descent height of 200 m.

- the maximum descent height is 400 m for a maximum load of 150 kg.

For repeated descents, use of the derope™ descender is limited with respect to load, descent height, and number of repeated descents in accordance with the limits indicated in the table below.

Descent height		Maximum number of repeated descents			
		< 50 m	< 125 m	< 200 m	< 400 m
Utilization load	Less than 100 kg	60	24	15	7
	Greater than 100 kg and less than 150 kg	20	8	5	2
	Greater than 150 kg and less than 225 kg	6	2	1	Prohibited

⚠ DANGER: Following each use, whether for a single descent or repeated descents, the derope™ descender must be inspected by a technician trained and qualified for this operation.

⚠ DANGER: The combined descent height must be monitored. If the combined descent height exceeds the limits indicated in the table of § 10-1, whatever the time taken to reach this combined descent height, the descender must be overhauled as instructed in § 10-1 by a technician trained and qualified for this operation.

The descender can be used at temperatures between -35°C and +50°C.

⚠ DANGER: For use at negative temperatures (between -35°C and 0°C), the descender must be dry, including the rope.

⚠ DANGER: The technician using the derope™ descender must weigh at least 30 kg.

⚠ DANGER: To avoid any risk of burns, it is prohibited to touch the derope™ descender during operation and before it has cooled down.

7.2. Voluntary vertical evacuation

This type of evacuation must be performed using a derope™ STD, derope™ UP A, derope™ UP B or derope™ UP K descender; the last two models are intended for use with a ladder.

The person to be evacuated must be equipped with a fall-arrest harness (EN 361), a rescue harness (EN 1497) or a rescue strap (EN 1498 class A or B).

During a voluntary vertical evacuation, the person must not move away by more than 20° with respect to the vertical to avoid any excessive swinging effects.

1. After you have installed the derope™ descender in compliance with the instructions in § 6, proceed as follows:
2. Fasten the person to be evacuated or hook yourself up by the connector at the end of the evacuation strand of the derope™ descender to:
 - a fall-arrest harness fastening point EN 361: these points are marked A when they can be used alone and A/2 when they must be used in combination with another fastening point marked A/2.
 - a rescue harness fastening point EN 1497 or a rescue strap EN 1498 class A or B, identified by a label near the fastening point.
3. Pull the free strand of the rope to tension the evacuation strand.
4. Run the free strand of the rope through the rope guide then through the clam cleat.

5. If necessary, check that the handwheel handle on the derope™ UP descender is folded in.
6. Place the person to be evacuated above the open space. The person will not descend since the rope is blocked by the clam cleat.
7. Start the descent by releasing the free strand of the rope in the clam cleat.
8. Once the person has reached the ground, unfasten the person.
9. Once the connector of the free strand has come back up to the derope™ descender after the evacuation, if there is another person waiting to be evacuated, repeat the procedure detailed in points 1 to 7.
10. For repeated descents, you must observe the maximum number of descents indicated in the table in § 7.1.

7.3. Voluntary evacuation on an inclined surface (Fig. 12)

This type of evacuation procedure must be performed using a derope™ STD or derope™ UP A descender.

The evacuation location must be equipped with a tensioned cable or rope forming an angle with the vertical of between 30° and 60°.

A double in-line pulley with a multi-anchoring plate must be positioned at the top of the cable.

The person to be evacuated must be equipped with a fall-arrest harness with, preferably for comfort purposes, a sternal fastening point (EN 361), a rescue harness (EN 1497) or a rescue strap (EN 1498 class B).

1. After you have installed the derope™ descender as instructed in § 6, connect the evacuation strand of the derope™ descender on the multi-anchoring plate, mounted on the double in-line pulley.
2. Install a lanyard equipped with 2 connectors between the anchoring plate of the double in-line pulley and:
 - a fastening point of the fall-arrest harness EN 361. These points are marked A when they can be used alone or A/2 when they must be used in combination with another fastening point marked A/2.
 - a fastening point of the rescue harness EN 1497 or of the rescue strap EN 1498 class B, identified by a label next to the fastening point.
3. Pull on the free strand of the derope™ descender to tension the evacuation strand.
4. Run the free strand of the rope through the rope guide then through the clam cleat.
5. Make sure that the handwheel handle on the derope™ UP descender is folded.

6. Allow yourself to slide down the tensioned cable or rope.
7. Start the descent by releasing the free strand from the clam cleat.
8. Once you have reached the ground, unfasten the person and the double in-line pulley.
9. Once the connector of the free strand has come back up to the derope™ descender after the evacuation, if there is another person waiting to be evacuated, repeat the procedure detailed in points 1 to 8.

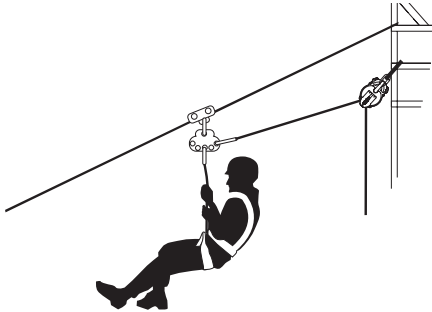


Fig. 12

7.4. Rescue evacuation of a person

NOTE: This section is not a rescue procedure. The purpose of this section is simply to give an example to describe how to properly use derope™ descenders.

Any rescue operation must only be performed by a person who has been trained and qualified for rescue operations. Before undertaking a rescue operation, you must first inform the emergency people.

Throughout the duration of the descent, the rescue operator must have uninterrupted visual contact with the person to be evacuated in order to act if necessary. The rescue operations described in this section are performed using a derope™ UP descender with recovery system comprising a handwheel for use with persons equipped with a fall-arrest system. Insofar as possible, the rescue operation should intervene next to the person to be evacuated. When this is not the case, the rescue operator should intervene at the fastening point for the fall-arrest system used with the person to be evacuated.

In the example which follows, the person to be evacuated is equipped with a fall-arrest system and has just fallen. The rescue operator intervenes in contact with the person to be evacuated.

1. After having accessed the person to be evacuated and after having installed the derope™ descender as instructed in § 6, fasten the person to be

evacuated by the connector on the end of the evacuation strand of the derope™ descender to:

- a fastening point of the fall-arrest harness EN 361: these points are marked A when they can be used alone or A/2 when they must be used in combination with another fastening point marked A/2.
 - a fastening point of the rescue harness EN 1497 or of the rescue strap EN 1498 class B, identified by a label next to the fastening point.
2. Using the handwheel, raise the person to be evacuated to release the tension on the fall-arrest system.
 3. Run the free strand of the rope through the rope guide then through the clam cleat.
 4. Fold in the handwheel handle of the derope™ UP descender.
 5. Disconnect the person to be evacuated from the person's fall-arrest system at the fastening point.
 6. Start the descent by releasing the free strand from the clam cleat.

7.5. Lifting a person

When using the derope™ UP R device on a tripod mounted trapcode console from Tractel® you can raise a person:

- Either by turning the hand wheel manually.
- Or by using an electric drill / driver.

⚠ DANGER: It is imperative to fold in the retractable handle before using the electric drill / driver to operate the derope™ UP R.

⚠ DANGER: It is imperative to hold the drill / driver with both hands when raising a person from above.

⚠ DANGER: It is imperative not to let go of the electric drill/driver while the person to evacuate is suspended from the derope™ UP R device.

8. Unauthorized use of derope™ equipment

It is strictly prohibited:

1. To install or use the derope™ descender without first having been authorized, trained and recognized competent in use of the descender, or failing this, without working under the responsibility of a person authorized, trained and recognized competent in use of the descender.
2. To use a derope™ descender if any of the markings on the unit are not present or legible.

3. To install or use a derope™ descender which has not undergone the necessary previous checks (see § 6-2).
4. To use a derope™ descender which has not been covered by a periodic inspection over the past 12 months by a technician authorizing re-use of the unit in writing (see §10-1).
5. To use a derope™ descender for any purpose other than evacuation or rescue of persons.
6. To use any rope other than the Tractel S.A.S rope designed for the derope™ descender.
7. To secure a derope™ to an anchor point which does not satisfy the requirements of standard EN 795. The anchor point must have a minimum capacity of 10 kN.
8. To fasten a derope™ descender by any devices other than those specified by Tractel S.A.S.
9. To install a derope™ descender in any location which is not directly above the person to be evacuated.
10. To use a derope™ descender without first having checked the space available around the person to be rescued during the victim's descent or ascent.
11. To use derope™ UP B and UP K descenders without installing the belay lanyard.
12. To use a derope™ UP R descender on a tripod other than the Tractel S.A.S trapcode tripod.
13. To use a derope™ descender beyond the service life defined by Tractel S.A.S.
14. To use a derope™ descender beyond the maximum load authorized or the maximum descent height authorized.
15. To use a derope™ descender with a person whose weight is less than 30 kg.
16. To use a derope™ descender for repeated descents beyond the maximum number of descents authorized.
17. To use a derope™ descender as part of a fall-arrest system as understood by standard EN 363.
18. To use a derope™ descender as a suspension system for holding a work position.
19. To use a derope™ descender in an explosible atmosphere.
20. To expose a derope™ descender or its rope to a direct source of heat or light.
21. To use a derope™ descender or its rope outside the temperature range between -35°C and +50°C.
22. To place a derope™ descender or its rope in contact with abrasive chemical substances, or abrasive or cutting surfaces.
23. To use the derope™ descender if the end of the rope does not reach the ground.
24. To interfere with self-alignment of a derope™ descender with respect to the rope.
25. To prevent free rotation of the handwheel on derope™ UP A, B, K or R descenders.
26. To insert any element in the rope holes of a derope™ descender.
27. To open a derope™ descender, lubricate it or make any change to the device.
28. To perform any repairs on a derope™ descender without having been trained and recognized competent for that purpose, in writing, by Tractel S.A.S.
29. To touch the derope™ descender without being sure that it has cooled after use.
30. To use the device derope™ UP R on a tripod mounted trapcode console from Tractel® with a drill / driver if the retractable handle of the hand wheel is not folded in.
31. To use the derope™ UP R device on a tripod mounted trapcode console from Tractel® with a drill / driver if the user does not have both hands on the drill.
32. To let go of the drill / driver if it is attached to the end of the axis of the derope™ UP R device and a person is suspended.

9. Maintenance and storage

The equipment covered by this manual must be stored and transported in their original packaging.

During storage and/or transport, the equipment must be:

1. Kept dry,
2. Kept at a temperature between -35°C and +50°C,
3. Protected against sources of direct heat and against UV radiation,
4. Protected against chemical and mechanical aggressions, and any other type of aggression.

10. Periodic inspections and repair

A regular yearly inspection is mandatory. However, depending on the frequency of use, environmental conditions and regulations of the company or the

country of use, periodical inspections can be more frequent.

Regular inspections should be carried out by an approved and qualified technician and in accordance with the manufacturer's examination procedures as laid down in the manual «Tractel® PPE Verification Procedures».

Verification of the legibility of the marking on the product is an integral part of the periodical inspection.

Following the periodical inspection, a certificate of return to service must issued by the approved and competent technician who performed the periodical inspection. This return to service must be recorded on the inspection sheet in the middle of this manual. This inspection sheet should be retained throughout the life of the product until it is scrapped.

After stopping a fall, this product must be subject to regular inspection as described in this manual. Any textile components of the product must be replaced, even if they show no visible defect.

10.1. Descender overhaul

⚠ DANGER: The descender must be overhauled in the following cases:

1. Anomaly observed during an inspection (whether annual or not), or when any malfunction or visible defective condition is observed.
2. The combined descent heights have reached the limit indicated in the table below, whatever the time taken to reach this combined value.

Limit of combined descent heights triggering mandatory overhaul of the descender and replacement of the rope		
Load	Less than 100 kg	3000 m
	Greater than 100 kg and less than 150 kg	1000 m
	Greater than 150 kg and less than 225 kg	300 m

The descender must only be overhauled by a person trained and qualified to perform maintenance operations, by Tractel® or by a Tractel®-approved repair agent.

The rope must be replaced as soon as the descender has reached the combined heights indicated in the table above.

11. Lifespan

The Tractel® textile PPE components such as harnesses, lanyards, ropes and shock absorbers, the Tractel® mechanical PPE, such as stopcable™ and stopfor™ fall arrest devices, the blocfor™ automatic retraction fall arrest devices and Tractel® lifelines can be used, provided that counting from the date of manufacture they are subject to:

- to normal use in accordance with the recommendations of use in this manual.
- a periodical inspection which must be accomplished at least once a year by an approved and competent technician. At the end of this regular inspection, it must be certified in writing that the PPE can be returned to service.
- strict compliance with the storage and transport conditions specified in this manual.

12. Disposal

When a system is finally withdrawn from service, all components must be recycled with preliminary sorting of components into metallic and synthetic materials. These materials must be recycled by specialist bodies. Upon withdrawal from service, disassembly and sorting of materials must be carried out by duly authorised personnel.

13. Product markings

13.1. Markings on derope™ descender

The labels used on the derope™ descenders are shown in Figures 13a, 13b and 13c. These indicate:

- a: trademark: Tractel®.
- b: product name.
- c: reference standard followed by year of application.
- d: product reference: ex 010042.
- e: CE logo followed by number of notified organization, article 11 B, production control 0082.
- f: year and week of manufacture.
- g: serial number.
- h: pictogram indicating that manual must be read before use.
- i: visual and functional check before use.
- j: diameter of Tractel® rope.
- k: operating temperature range.
- l: utilization limit loads and lengths.
- m: do not allow rope to rub against a sharp edge.
- n: use for simple evacuation.
- o: use for evacuation on inclined surface.
- p: use for simple evacuation and rescue.

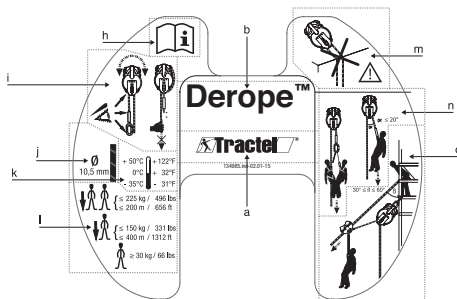


Fig. 13a

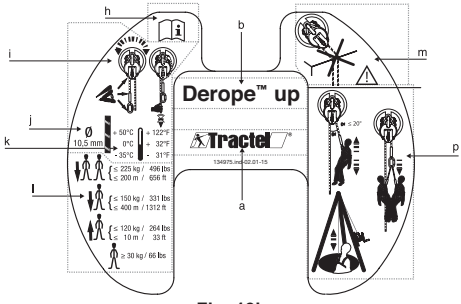


Fig. 13c

13.2. Markings on rope

The label of each of the derope™ descender ropes is shown in figure 14. The label indicates:

- a: trademark: Tractel®.
- y: standard rope length.
- z: special rope length.

y:		
10 m	60 m	
20 m	70 m	
30 m	80 m	
40 m	90 m	
50 m	100 m	

 Below the table is a field for 'z:' with a box and the unit 'm'.

Fig. 14

Sommaire

1. Consignes prioritaires.....	17
2. Définitions et pictogrammes	18
3. Présentation de l'appareil.....	20
4. Fonction et description	21
5. Produits associés	22
6. Installation	22
7. Utilisation.....	26
8. Utilisations fautives interdites	29
9. Entretien et stockage.....	30
10. Examen périodique et réparation ...	30
11. Durée de vie	30
12. Mise au rebut.....	31
13. Marquage du produit	31

Note préliminaire:

Afin d'assurer l'amélioration constante de ses produits, Tractel® se réserve d'apporter aux équipements décrits dans la présente notice, à tout moment, toute modification jugée utile.

Les sociétés du groupe Tractel® et leurs revendeurs agréés vous fourniront sur demande leur documentation concernant la gamme des autres produits Tractel®: Appareils de levage et de traction et leurs accessoires, matériels d'accès de chantier et de façade, dispositifs de sécurité pour charge, indicateurs électroniques de charge, etc.

Le réseau Tractel® peut vous fournir un service d'après vente et d'entretien périodique.

1. Consignes prioritaires

1. Il est indispensable, pour la sécurité de mise en place et d'emploi du matériel, et pour son efficacité, de prendre connaissance du présent manuel, et de se conformer strictement à ses indications avant l'utilisation de ce type d'appareil.
2. Ce manuel doit être remis à l'utilisateur de l'appareil derope™ et conservé à disposition de tout opérateur-secouriste. Des exemplaires supplémentaires peuvent être fournis par Tractel S.A.S, sur demande.
3. L'utilisation, la maintenance et la gestion de l'appareil derope™ doivent être placées sous la responsabilité de personnes connaissant la réglementation de sécurité et les normes applicables à ce type de matériel et aux équipements qui y sont associés, et ayant autorité pour les faire respecter.
4. Si vous devez confier l'utilisation de l'appareil derope™ à un personnel salarié ou assimilé, conformez-vous à la réglementation du travail en vigueur.
5. Chaque personne devant utiliser l'appareil derope™ doit remplir les conditions d'aptitude physique et professionnelle pour opérer dans des travaux en hauteur et des opérations de sauvetage. En cas de doute, consulter son médecin ou le médecin du travail. Elle devra avoir reçu, dans des conditions hors risques, une formation préalable appropriée, théorique et pratique y associant les Equipements de Protection Individuelle conformément aux exigences de sécurité. Cette formation doit comprendre une information complète sur les chapitres du présent manuel concernant cette utilisation. L'emploi de cet appareil est interdit aux femmes enceintes.
6. L'appareil derope™ doit être utilisé exclusivement pour l'évacuation ou le sauvetage de personnes, conformément aux indications du présent manuel. Aucun autre usage n'est autorisé. En particulier, il ne doit jamais être utilisé seul comme un appareil de suspension ou composant d'un système d'arrêt des chutes au sens de la norme EN 363.
7. Avant toute utilisation de l'appareil, il est nécessaire de s'assurer de la présence et de la lisibilité des marquages présents sur l'appareil. Pour toute demande, contacter Tractel S.A.S ou son distributeur.
8. L'utilisation de l'appareil derope™ nécessite d'y associer et d'y connecter des Equipements de Protection Individuelle antichute ou de sauvetage. Un harnais d'antichute (EN 361), un harnais de sauvetage (EN 1497), une sangle de sauvetage (EN 1498 classe A ou classe B) sont les seuls dispositifs de préhension du corps qu'il soit permis de faire revêtir à la personne à secourir, lors d'une opération de secours, en le connectant à l'appareil derope™.
9. Tout point d'ancrage auquel sera fixé l'appareil derope™ doit satisfaire aux exigences de la norme EN 795 ou à défaut, avoir une résistance à l'arrachement d'au moins 10 kN (1 tonne).
10. Consulter Tractel S.A.S préalablement à toute utilisation dans un environnement présentant un

risque spécifique, notamment, et de manière non exhaustive: environnement corrosif ou présentant un risque chimique, environnement explosible, environnement présentant un risque électrique, un risque de radiations, etc.

11. Avant chaque séquence d'utilisation, l'opérateur-secouriste doit procéder à un examen visuel de l'appareil derope™ pour s'assurer qu'il est en bon état de service, que les Equipements de Protection Individuelle associés le sont également, qu'ils sont compatibles et qu'ils sont correctement mis en place et connectés conformément aux recommandations de leurs notices respectives.
12. Avant d'utiliser les équipements objets du présent manuel, il est indispensable de s'assurer qu'il n'y ait ni présence d'un obstacle sur la trajectoire de l'évacuation ni risque de contact avec un objet dangereux.
13. Avant toute utilisation de cet appareil, il est nécessaire de se référer au plan de sauvetage établi par le responsable du site de l'intervention.
14. Tractel S.A.S recommande de doter chaque opérateur-secouriste d'un moyen de communication lui permettant de déclencher un appel d'urgence en cas d'incident.
15. Dans un système d'arrêt des chutes, il est essentiel de vérifier l'espace libre sous l'opérateur-secouriste, sur le lieu de travail, avant chaque utilisation, de manière qu'en cas de chute il n'y ait pas de risque de collision avec le sol ni en présence d'un obstacle sur la trajectoire de chute. Le tirant d'air doit être suffisant.
16. Les équipements objets du présent manuel conviennent pour une utilisation aux températures comprises entre -35°C et 50°C. Aux températures négatives (de -35°C à 0°C), il est obligatoire de s'assurer que l'équipement est sec, drisse comprise.
17. Lors de l'utilisation des équipements objets du présent manuel il est obligatoire de respecter, conformément au § 7-1:
 - La charge maximale.
 - La charge minimale de 30 kg.
 - La hauteur de descente maximale.
 - Le nombre de descentes répétées.
 - La hauteur cumulée de descentes.
18. Si la hauteur cumulée de descentes atteint les limites spécifiées, il est obligatoire de faire procéder à la révision de l'équipement (voir § 10-1).
19. L'appareil derope™, UP R doit être exclusivement utilisé avec le trépied trapode de Tractel®. Toute utilisation similaire avec un trépied d'une autre provenance est interdite.

20. Après chaque utilisation de l'appareil derope™, celui-ci ainsi que les Equipements de Protection Individuelle concernés, doivent être impérativement vérifiés avant remise en usage. Cette vérification doit être conduite conformément aux indications du présent manuel, par un technicien compétent à cette fin, qui autorisera par écrit leur réutilisation. En cas de constatation visuelle d'un état défectueux ou de doute quant à l'état de l'appareil derope™ ou d'un Equipement de Protection Individuelle associé, il doit être consigné pour en prévenir son utilisation avant sa remise en état, à l'issue de laquelle toute nouvelle utilisation devra être autorisée par écrit par un technicien compétent et formé. Retourner tout appareil derope™ présentant une détérioration ou un doute, à Tractel S.A.S ou à son distributeur.
21. Un contrôle périodique de l'appareil derope™ et des Equipements de Protection Individuelle associés, au moins une fois par période de 12 mois, doit être organisé sous la conduite d'un technicien compétent, ayant reçu une formation à cette fin, qui autorisera par écrit sa réutilisation. Cette formation peut être fournie par Tractel S.A.S. Ce contrôle doit être conduit conformément à la Directive 89/656/CEE et aux consignes du présent manuel ainsi que du manuel de maintenance.
22. Tractel S.A.S décline toute responsabilité pour les conséquences d'un démontage de l'appareil derope™ ou toute modification apportée hors de son contrôle, spécialement en cas de remplacement de la drisse par une personne non autorisée.
23. Pour garantir une opération d'évacuation ou de sauvetage en toute sécurité, si l'appareil derope™ est revendu hors du premier pays de destination, le revendeur doit fournir le présent manuel d'instructions dans la langue du pays d'utilisation de l'appareil derope™.


2. Définitions et pictogrammes


2.1. Définitions

- **Descenseur**: dispositif de sauvetage au moyen duquel une personne peut descendre d'un lieu en hauteur sur le sol, à vitesse contrôlée, seule ou avec l'aide d'un sauveteur. Il est conforme à la norme EN 341.
- **Utilisateur**: Personne ou service responsable de la gestion et de la sécurité d'utilisation du produit décrit dans le manuel. (Ne pas confondre avec «opérateur» bien que ce puisse être le même personne). La notion d'utilisateur n'est ni celle de «client» ni celle «d'opérateur».
- **Technicien**: Personne qualifiée, en charge des opérations de maintenance décrites et permises à l'utilisateur par le manuel, qui est compétente et familière avec le produit.


- **Connecteur**: élément de connexion entre composants d'un système d'arrêt des chutes. Il est conforme à la norme EN 362.
- **Drisse**: corde possédant une âme intérieure multi-filaments et une gaine extérieure cylindrique.
- **Ancrage**: dispositif de fixation d'un système antichute, de résistance minimale 10 kN (1 tonne). Il est conforme à la norme EN 795.
- **Longe d'assurage**: élément de liaison entre un point d'ancrage et un système à sécuriser.
- **Taquet coinceur**: système de blocage pour drisse.
- **Guide drisse**: système de renvoi de la drisse.
- **Console**: dispositif de fixation d'un descendeur pour une échelle ou un trépied de manœuvre.
- **Point d'accrochage de sauvetage**: point de liaison spécifique sur un harnais ou une sangle de sauvetage pour l'accrochage des systèmes de sauvetage ou d'évacuation.
- **Volant de manœuvre**: volant qui équipe l'appareil derope™ de type UP dont la manœuvre permet de remonter une personne sur quelques mètres.
- **Harnais d'antichute**: dispositif de préhension du corps destiné à arrêter les chutes. Il est constitué de sangles et bouclerie. Il comporte des points d'accrochage antichute marqués d'un A s'il peuvent être utilisés seuls, ou marqués d'un A/2 s'ils doivent être utilisés en combinaison avec un autre point A/2. Il est conforme à la norme EN 361.
- **Harnais de sauvetage / sangle de sauvetage**: dispositifs de préhension du corps destinés à maintenir une personne à évacuer dans une position donnée au cours d'une opération de sauvetage. Ils sont conformes aux normes EN 1497 et EN 1498.
- **Trépied de manœuvre**: trépied dont les 3 pieds sont réglables en hauteur et qui constitue un point d'ancrage. Il est conforme à la norme EN 795 classe B.
- **Evacuation volontaire**: la personne évacuée seule ou avec l'assistance d'une personne compétente un lieu en hauteur vers le sol.
- **Evacuation de sauvetage**: la personne en détresse est évacuée par un sauveteur.
- **Plaque multi-ancrage**: Elle permet d'accrocher plusieurs connecteurs à un même point d'ancrage. Elle permet d'orienter et de répartir la charge lors de manœuvres de sauvetage.
- **Poulie double en ligne**: Poulie équipée de deux réas alignées, bien adaptée pour l'évacuation sur corde tendue. Elle est conforme à la norme EN 12278.

2.2. Pictogrammes

 **DANGER**: Placé en début de ligne, désigne des instructions destinées à éviter des dommages aux personnes, notamment les blessures mortelles, graves ou légères, ainsi que les dommages à l'environnement.

 **IMPORTANT**: Placé en début de ligne, désigne des instructions destinées à éviter une défaillance ou

un dommage des équipements, mais ne mettant pas directement en danger la vie ou la santé de l'opérateur ou celles d'autres personnes, et/ou n'étant pas susceptible de causer de dommage à l'environnement.

 **NOTE**: Placé en début de ligne, désigne des instructions destinées à assurer l'efficacité ou la commodité d'une installation, d'une utilisation ou d'une opération de maintenance.

 Obligation de lire la notice d'instructions.

 **INSCRIRE SUR LA FEUILLE DE CONTRÔLE**:

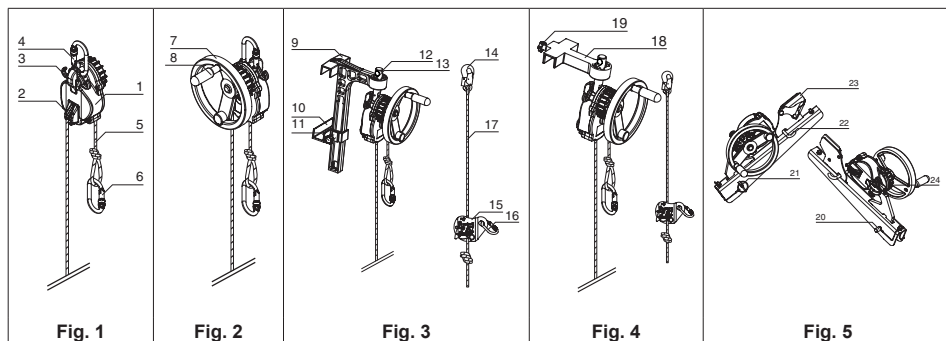
Inscrire les informations sur la feuille de contrôle détachable située en page centrale de la présente notice.

3. Présentation de l'appareil

3.1. Versions des appareils

Désignation commerciale	derope™ STD Fig. 1	derope™ UP A Fig. 2	derope™ UP B Fig. 3	derope™ UP K Fig. 4	derope™ UP R Fig. 5
Description	Descenseur derope™ standard.	Descenseur derope™ avec récupérateur.	Descenseur derope™ avec récupérateur équipé d'une grande console.	Descenseur derope™ avec récupérateur équipé d'une petite console.	Descenseur derope™ avec récupérateur livré avec une console pour trépied de manoeuvre.
Description fonctionnelle	Descenseur de personne à vitesse contrôlée et à fonctionnement pendulaire.	Descenseur derope™ STD équipé d'une fonction de sauvetage par élévation actionnée au moyen d'un volant de manoeuvre.	Descenseur derope™ UP A équipé d'une console de fixation pour échelle avec verrouillage.	Descenseur derope™ UP A équipé d'une console d'appui pour échelle.	Descenseur derope™ UP A équipé d'une console de fixation pour le trépied de manoeuvre trapcøde de Tractel®.
Composition de livraison	- Descenseur. - Drisse. - 3 connecteurs. - Notice + certificat de conformité.		- Descenseur. - Drisse. - 2 connecteurs. - Longe d'assurance équipée de 2 connecteurs et du dispositif de réglage de la longueur LCM 05. - Console de fixation ou d'appui. - Notice + certificat de conformité.		- Descenseur. - Drisse. - 2 connecteurs. - Console de fixation équipée de la broche d'amarrage pour le trépied. - Notice + certificat de conformité.

3.2. Schémas des appareils



- 1: carter
- 2: taquet coinreur
- 3: guide drisse appareil
- 4: connecteur supérieur
- 5: drisse
- 6: connecteur d'extrémité de drisse
- 7: volant de manoeuvre
- 8: poignée escamotable
- 9: console de fixation pour échelle avec verrouillage
- 10: coulisseau de blocage
- 11: axe de blocage
- 12: axe d'accrochage
- 13: goupille d'indexage
- 14: connecteur de longe d'assurance
- 15: dispositif de réglage LCM 05
- 16: connecteur du dispositif de réglage LCM 05
- 17: longe d'assurance
- 18: petite console d'appui
- 19: axe de blocage
- 20: broche d'amarrage
- 21: goupille clips
- 22: guide drisse console
- 23: coinreur de drisse
- 24: vis de blocage

Conformité aux réglementations

- EN 341 classe A: descenseur de haute capacité de descente.
- EN 1496 classe A: système de sauvetage par levage vers le haut.
- Article 11 B de la Directive 89/686/CEE, sous le contrôle d'un organisme notifié: APAVE SUDEUROPE, CS60193, F-13322 Marseille, Cedex 16, France, identifié par le numéro 0082.
- L'équipement est identique à l'E.P.I. ayant fait l'objet de l'examen CE de type délivré par l'APAVE SUDEUROPE, CS60193, F-13322 Marseille, Cedex 16, France, identifié par le numéro 0082, et testé selon les normes EN 341 classe A de 1993, EN 1496 classe A de 2006.

4. Fonction et description

4.1. Fonctions

4.1.1. Fonction descenseur

Cette fonction permet de descendre 1 ou 2 personnes à vitesse régulée comprise entre 0.5 et 2 m/s grâce à un système de frein centrifuge opérant dans les 2 sens. L'appareil peut être utilisé en mode pendulaire. La fonction descenseur est présente sur tous les modèles d'appareil derope™ de la gamme Tractel®.

4.1.2. Fonction récupérateur

Cette fonction permet d'évacuer vers le haut la personne à secourir.

- Elle peut être réalisée au moyen d'un volant de manœuvre équipé d'une poignée escamotable et actionné par le sauveteur. La vitesse de remontée est de l'ordre de 1 m/min.
- Elle peut être réalisée au moyen d'un outil portatif de type perceuse / visseuse mise en place en extrémité du pignon au centre du volant de manœuvre qui est équipé d'un 6 pans. La vitesse de remontée est de l'ordre de 5 m/min.

Cette fonction est présente sur les appareils derope™ UP A / UP B / UP K / UP R.

4.1.3. Fonction ralentissement ou arrêt de descente

En faisant passer le brin libre de la drisse de l'appareil dans le guide corde, le sauveteur peut ralentir voire arrêter manuellement la descente. Pour maintenir l'appareil à l'arrêt, le brin libre doit être introduit dans le taquet coinqueur présent sur l'appareil. Cette fonction est présente sur tous les modèles d'appareils derope™ de la gamme Tractel®.

4.1.4. Fonction d'amarrage

4.1.4.1. Appareil derope™ STD et UP A

Ces 2 appareils se fixent au moyen d'un connecteur situé en haut de l'appareil sur tout point d'ancrage conforme aux exigences de la norme EN 795 ou toute

autre structure ayant une résistance supérieure à 10 kN (1 tonne).

4.1.4.2. Appareil derope™ UP B

Cet appareil est équipé d'une console de fixation pour échelles. Cette console doit être verrouillée sur 2 barreaux d'échelle consécutifs et doit être obligatoirement sécurisée avec la longe d'assurage conformément aux préconisations du § 6.

4.1.4.3. Appareil derope™ UP K

Cet appareil est équipé d'une console d'appui sur barre ou échelle. Cette console doit être verrouillée et doit être obligatoirement sécurisée avec la longe d'assurage conformément aux préconisations du § 6.

4.1.4.4. Appareil derope™ UP R

Cet appareil est équipé d'une console de fixation destinée à être fixée exclusivement sur le trépied de manœuvre trapcode de Tractel®. Cette console doit être verrouillée sur une des jambes du trépied au moyen de sa broche d'amarrage.

4.2. Accessoires

Le sac spécial pour appareil derope™ avec sa bobine est conçu pour recevoir l'appareil derope™ STD ou l'appareil derope™ UP A avec jusqu'à 80 mètres de drisse. Ce sac permet un transport et une manipulation aisés de l'équipement lors des interventions de sauvetage: Les appareils derope™ peuvent recevoir en option un dévidoir destiné à dérouler et à supprimer le risque d'emmêlement de la drisse au moment de son utilisation.

4.3. Spécifications techniques et d'utilisation du produit avec matériaux utilisés

Désignation commerciale	derope™ STD	derope™ UP A	derope™ UP B	derope™ UP K	derope™ UP R
Poids (kg)	1.9	3.0	6.1	4.6	6.5
Dimensions indicatives (mm) (h × l × p)	170 × 120 × 105	225 × 200 × 165	430 × 200 × 315	265 × 200 × 325	485 × 265 × 165
Treuil de récupération	Sans objet	Oui			
Charge maxi récupération	Sans objet	120 kg			
Effort à la poignée du volant de manoeuvre	Sans objet	5 kg			
Normes	EN 341 Classe A	EN 341 classe A + EN 1496 classe A			
Vitesse descente	Comprise entre 0.5 m/s et 2 m/s				
Drisse	Drisse Tractel® diamètre 10.5 mm				

4.4. Drisse

⚠ DANGER: Seule la drisse Tractel® livrée dans l'appareil est homologuée pour utilisation dans l'appareil derope™ de Tractel®. Cette drisse peut être livrée dans des longueurs allant de 10 à 400 m selon les conditions commerciales de Tractel®.

5. Produits associés

5.1. Dispositif de préhension du corps

- Harnais d'antichute conforme à la norme EN 361. La personne à secourir doit être connectée aux points d'accrochage antichute. Un point d'accrochage antichute est marqué d'un A s'il peut être utilisé seul ou d'un A/2 s'il doit être utilisé en combinaison avec un autre point d'antichute marqué d'un A/2.
- Harnais de sauvetage ou sangle de sauvetage conformes aux normes EN 1497 ou EN 1498. La personne à secourir doit être connectée au point d'accrochage de sauvetage identifié par une étiquette placée près du point d'accrochage.

5.2. Dispositifs d'ancrage

- Les dispositifs d'ancrage doivent répondre aux exigences de la norme EN 795. Ils doivent résister à une charge minimale de 10 kN (1 tonne).
- L'appareil derope™ UP R est spécialement conçu et homologué pour être fixé sur une jambe du trépied de manoeuvre trapcode de Tractel®.

⚠ DANGER: Toute utilisation similaire avec un trépied d'une autre provenance est interdite.

5.3. Poulie double en ligne

- Poulie équipée de deux réas alignées, bien adaptée pour l'évacuation sur corde tendue.

5.4. Plaque multi-ancrage

- La plaque multi-ancrage permet d'accrocher plusieurs connecteurs à un même point d'ancrage. Elle permet d'orienter et de répartir la charge lors de manoeuvres de sauvetage.

5.5. Perceuse / visseuse

- Perceuse / visseuse d'une puissance mini de 300 W utilisable pour les derope™ UP afin d'assister l'opérateur lors de l'évacuation vers le haut.
- En cas d'utilisation d'une perceuse / visseuse sans fil, celle-ci doit avoir une batterie de 14 V minimum afin de posséder la puissance nécessaire à cette opération.

6. Installation

6.1. Dispositions préalables à l'installation

1. L'installation de l'appareil derope™ doit être réalisée par une personne formée et compétente.
2. L'installation et l'utilisation des appareils derope™ doivent être réalisées en conformité avec la législation et la réglementation du pays.

6.2. Vérifications avant installation

⚠ DANGER: Les vérifications décrites ci-après doivent être réalisées dès qu'on est susceptible d'utiliser l'appareil derope™, pour éviter qu'une situation d'urgence empêche de procéder à ces vérifications.

1. Vérification visuelle de la structure d'accueil:
 - Point d'ancrage pour les appareils derope™ STD et UP A: conforme à la norme EN 795 ou de résistance minimale de 10 kN (1 tonne).
 - Echelle pour les appareils derope™ UP B et UP K:
 - Montants non déformés, correctement fixés au mur: résistance minimale de 10 kN (1 tonne).

- Barreaux sur lesquels la console va être mise en place non déformés.
- Trépied de manœuvre tracpode de Tractel® pour les appareils derope™ UP R:
 - Pieds télescopiques non déformés, non pliés.
 - Présence des patins en caoutchouc sous les pieds.
 - Présence d'une poulie de renvoi en tête de trépied tracpode.
 - Pas de traces de déformation, de corrosion sur la tête de trépied tracpode.
 - Présence de la broche anti-saut de drisse de la poulie de renvoi.
- 2. Vérification visuelle de la drisse sur toute sa longueur ainsi que de ses extrémités pour s'assurer de l'intégrité de la gaine de la drisse et de la régularité de son diamètre.
- 3. Vérification du fonctionnement de l'appareil par un mouvement manuel de la drisse dans l'appareil sur une longueur minimale de 1 m dans les 2 sens pour s'assurer que la résistance au déplacement augmente avec la vitesse de déplacement.
- 4. Vérification du bon état des carters: absence d'endommagements significatifs, présence et lisibilité de tous les marquages.
- 5. Vérification des connecteurs: absence de déformation et de corrosion, fermeture et verrouillage fonctionnels.
- 6. Vérification des consoles pour les appareils derope™ UP B / UP K / UP R: absence de déformation et de corrosion, verrouillage fonctionnel.
- 7. Vérification des longes d'assurage pour les appareils derope™ UP B et UP K: vérification de la drisse, des connecteurs, du dispositif de réglage de la longueur.
- 8. Vérification de tous les produits associés selon les préconisations de leurs notices respectives.
- 9. S'assurer que l'appareil derope™ a fait l'objet d'un contrôle périodique au cours des 12 derniers mois.
- 10. S'assurer que l'appareil derope™ à le potentiel en nombre de descentes consécutives ou non, en hauteur de descente ou en charge à évacuer pour réaliser l'opération: voir tableau 2 du § 7-1.

⚠ DANGER: En cas d'anomalie constatée pendant ces vérifications, l'appareil doit être consigné pour en prévenir toute utilisation, puis doit faire l'objet d'une remise en état par une personne formée et compétente (voir § 10-1).

6.3. Mise en place de l'appareil derope™

6.3.1. Appareil derope™ STD et appareil derope™ UP A

1. Identifier ou aménager le point d'ancrage pour recevoir l'appareil derope™.
2. S'assurer que le point d'ancrage est conforme à l'EN 795 ou qu'il présente une résistance supérieure à 10 kN (1 tonne).
3. Fixer l'appareil derope™ à l'aide de son connecteur supérieur au point d'ancrage prévu pour réaliser l'opération de sauvetage, au-dessus de la personne à évacuer.
4. Verrouiller le connecteur.
5. Jeter la drisse vers le bas en s'assurant qu'elle n'est pas emmêlée, qu'elle ne présente pas de nœud, qu'elle ne frotte pas sur une arête vive et qu'elle atteint le sol.
6. Vérifier l'absence de tout obstacle sur le trajet de l'évacuation et sur la zone de réception. Exemples: fils électriques, fer à béton, surface vitrée.

6.3.2. Appareil derope™ UP B (Fig.6)

1. Mettre en place la grande console verrouillable sur le barreau de l'échelle à la position choisie pour réaliser l'opération de sauvetage, au dessus de la personne à évacuer (Fig. 6, 1).
2. Remonter le coulisseau de blocage au niveau du barreau immédiatement en dessous de celui qui reçoit la grande console (Fig. 6, 2).
3. Serrer l'axe de blocage du coulisseau à l'aide du bouton de serrage se trouvant sur le côté de la console (Fig. 6, 3).
4. Mettre en place la longe d'assurage:
 - Fixer le connecteur du dispositif de réglage LCM 05 dans le trou du haut de l'axe de d'accrochage (Fig. 6, 4.1).
 - Passer la longe d'assurage autour du barreau de l'échelle situé au dessus de la console en contournant l'un des montants de l'échelle (Fig. 6, 4.2).
 - Connecter le connecteur de la longe d'assurage dans le connecteur du dispositif de réglage LCM 05 (Fig. 6, 4.3).
 - Tendre la longe d'assurage en tirant sur le brin libre (Fig. 6, 4.4).
5. Jeter la drisse vers le bas en s'assurant qu'elle n'est pas emmêlée, qu'elle ne présente pas de nœud, qu'elle ne frotte pas sur une arête vive et qu'elle atteint le sol.

6. Vérifier l'absence de tout obstacle sur le trajet de l'évacuation et sur la zone de réception. Exemples: fils électriques, fer à béton, surface vitrée.
7. Orienter l'appareil derope™ selon le besoin en modifiant la position de l'axe d'accrochage dans le dispositif d'indexage (Fig. 6, 7.1 – 7.2).

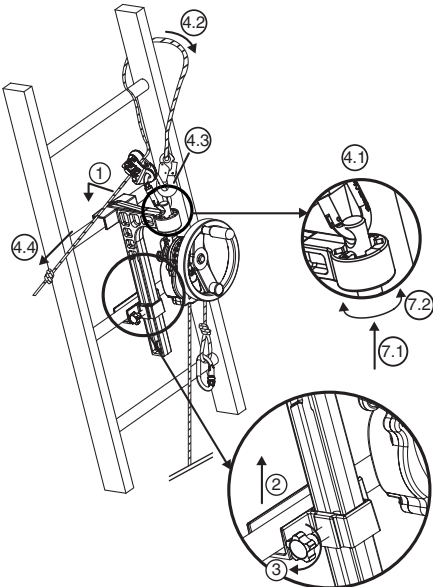


Fig. 6

6.3.3. Appareil derope™ UP K (Fig. 7)

1. Mettre en place la petite console d'appui sur le barreau de l'échelle à la position requise pour réaliser l'opération de sauvetage, au dessus de la personne à évacuer (Fig. 7, 1).
2. Serrer l'axe de blocage se trouvant à l'arrière de la console d'appui à l'aide du bouton de serrage (Fig. 7, 2).
3. Mettre en place la longe d'assurance:
 - Fixer le connecteur du dispositif de réglage LCM 05 dans le trou du haut de l'axe de d'accrochage (Fig. 7, 3.1).
 - Passer la longe d'assurance autour du barreau de l'échelle situé au dessus de la console en contournant l'un des montants de l'échelle (Fig. 7, 3.2).
 - Connecter le connecteur de la longe d'assurance dans le connecteur du dispositif de réglage LCM 05 (Fig. 7, 3.3).
 - Tendre la longe d'assurance en tirant sur le brin libre (Fig. 7, 3.4).

⚠ DANGER: Il y a risque de chute et d'accident mortel si la longe d'assurance n'est pas correctement installée.

4. Jeter la drisse vers le bas en s'assurant qu'elle ne soit pas emmêlée, qu'elle ne présente pas de nœud, qu'elle ne frotte pas sur une arête vive et qu'elle atteigne le sol.
5. Vérifier l'absence de tout obstacle sur le trajet de l'évacuation et sur la zone de réception. Exemples: fils électriques, fer à béton, surface vitrée.
6. Orienter l'appareil derope™ selon le besoin en modifiant la position de l'axe d'accrochage dans le dispositif d'indexage (Fig. 7, 6.1 – 6.2).

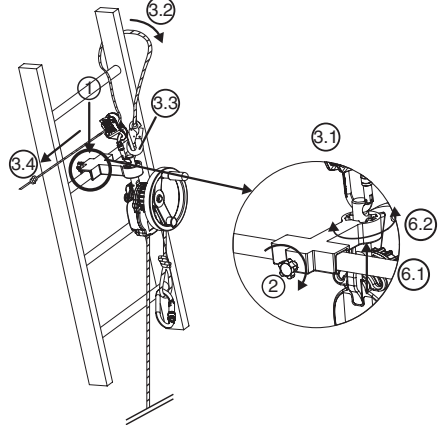


Fig. 7

6.3.4. Appareil derope™ UP R (Fig. 8, 9 et 10)

L'appareil derope™ UP R doit être fixé sur la jambe du trépied trampoline de Tractel® comme indiqué sur la Fig.8. Toute autre fixation en un autre point du trépied trampoline de Tractel® est interdite.

Afin de pouvoir utiliser un appareil derope™ UP R sur une des 3 jambes du trépied trampoline, celui-ci doit être équipé d'une poulie de renvoi en partie haute, ou de 2 poulies si un autre appareil est mis en œuvre sur le même trépied trampoline (antichute à rappel automatique blocfor™ ou treuil caRoI™).

Si l'appareil derope™ UP R n'est pas installé sur la console pour trampoline de Tractel®, procéder à sa mise en place suivant les instructions suivantes:

1. Dévisser la vis de blocage du crochet d'accrochage de la console pour appareil derope™ UP R (Fig. 8, 1).
2. Mettre en place l'appareil derope™ UP R sur le crochet d'accrochage (Fig. 8, 2.1 – 2.2).

3. Revisser la vis de blocage afin d'empêcher l'appareil de se désolidariser de sa console (Fig. 8, 3) et vérifier qu'elle est bien mise en place et serrée.

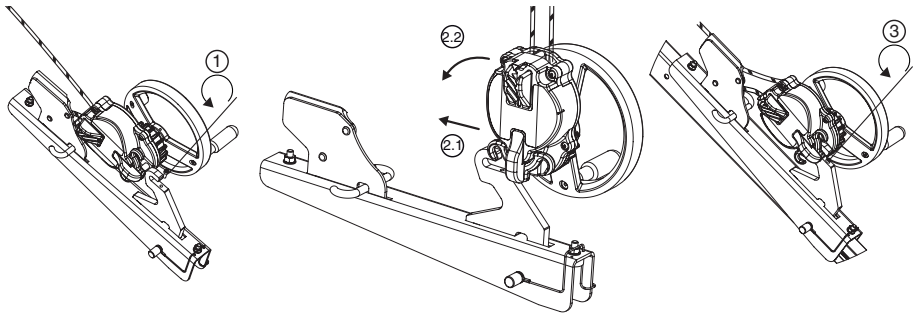



Fig. 8

Quand l'appareil derope™ UP R est installé sur la console pour tracpode de Tractel®,

1. Disposer le trépied tracpode de Tractel®, non déplié au sol.
2. Régler les jambes du trépied tracpode de Tractel®, pour obtenir la hauteur désirée: voir le manuel d'instruction du trépied tracpode.
3. Choisir la jambe du trépied tracpode de Tractel® comportant une poulie de renvoi à son sommet; sur cette jambe, retirer la broche de verrouillage.
4. Positionner le trou d'amarrage de la console en face du trou de verrouillage de la jambe du trépied tracpode de Tractel®.

 **IMPORTANT:** Attention au sens de montage: le bloqueur de drisse doit être dirigé vers le haut du trépied tracpode (Fig. 9).

5. Mettre en place la broche d'amarrage de la console pour appareil derope™ UP R. Cette broche d'amarrage remplit deux fonctions: verrouillage de la jambe du trépied tracpode et amarrage de la console pour appareil derope™ UP R sur cette jambe (Fig. 9, 5).
6. Verrouiller la broche d'amarrage par la goupille clips (Fig. 9, 6).
7. Déplier totalement les 3 pieds du trépied tracpode.
8. Retirer la broche à bille se trouvant au dessus de la poulie de renvoi en haut du trépied tracpode (Fig. 10, 8).
9. Passer la drisse de l'appareil derope™ autour de la poulie de renvoi (Fig. 10, 9).

10. Remettre en place la broche à bille afin d'empêcher la drisse de sortir de la poulie de renvoi (Fig. 10, 10).
11. Ouvrir le coinqueur de drisse de la console (Fig. 9, 11).
12. Introduire la drisse sortant de l'appareil derope™ dans le coinqueur de drisse de la console (Fig. 9, 12).
13. Jeter la drisse vers le bas en s'assurant qu'elle n'est pas emmêlée, qu'elle ne présente pas de nœud, qu'elle ne frotte pas sur une arête vive et qu'elle atteigne le sol.
14. Fermer le coinqueur de drisse (Fig. 9, 14).

15. Vérifier l'absence de tout obstacle sur le trajet de l'évacuation et sur la zone de réception. Exemples: fils électriques, fer à béton, surface vitrée.

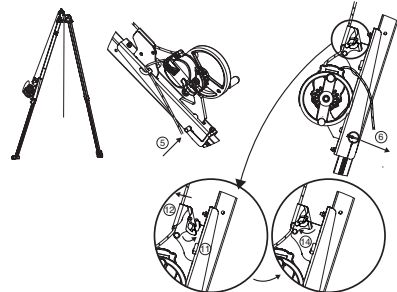


Fig. 9

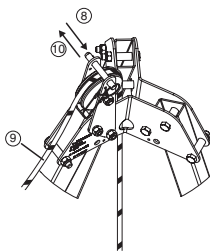


Fig. 10

6.3.5. derope™ UP avec perceuse / visseuse

⚠ DANGER:

- Avant de mettre en place la perceuse / visseuse en extrémité de l'axe du volant de l'appareil derope™ UP R, s'assurer que la poignée éclipable du volant de manœuvre est bien repliée.
- Positionner le mandrin de la perceuse / visseuse autour du 6 pans en extrémité de l'axe du volant de manœuvre.
- Bloquer le mandrin sur l'axe avec ses 6 pans.

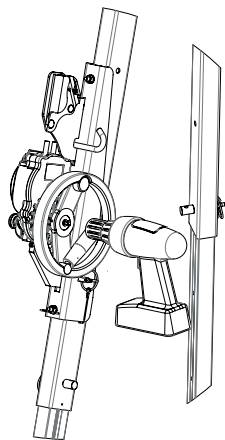


Fig. 11

7. Utilisation

7.1. Préconisations d'utilisation et limites d'utilisation de l'appareil derope™

⚠ **DANGER:** Les appareils derope™ sont susceptibles d'être utilisés lors des travaux en hauteur. A ce titre il est instamment rappelé que les travaux en hauteur sont assujettis aux dispositions suivantes

- Les personnes travaillant en hauteurs doivent être en pleine possession de leurs moyens physiques et psychologique
- Les personnes travaillant en hauteur doivent être spécialement formées à cet effet.
- Les travaux en hauteurs sont interdits aux femmes enceintes.
- La réalisation des travaux en hauteur doit être précédée de l'élaboration d'un plan de sauvetage.

En cas d'évacuation volontaire, les appareils derope™ sont utilisés exclusivement par des personnes formées et compétentes ou à défaut sous la surveillance d'une personne habilitée.

En cas d'évacuation de sauvetage, les opérations de sauvetage sont réalisées exclusivement par des personnes formées et habilitées à cet effet.

Les préconisations d'utilisation des différents modèles d'appareils derope™ sont données dans le tableau ci-après.

Utilisation	derope™ STD	derope™ UP A	derope™ UP B	derope™ UP K	derope™ UP R
Évacuation volontaire verticale	Oui	Oui	Oui (*)	Oui (*)	Non
Évacuation volontaire en plan incliné	Oui	Oui	Non	Non	Non
Évacuation de sauvetage	(***)	Oui	Oui (*)	Oui (*)	Oui (**)

*: utilisation sur échelle uniquement

** : utilisation sur trépied trapcode de Tractel® au dessus d'une ouverture dans le vide comme un puit, un silo, etc.

***: Non si utilisation d'un appareil derope™ seul, oui si utilisation d'un appareil derope™ avec un appareil de levage de personne permettant de remonter la personne à évacuer pour détendre le système antichute.

⚠ DANGER: En descente, l'utilisation de l'appareil derope™ est limitée en charge, en hauteur de descente et en nombre de descentes répétées.

En cas de descente unique:

- la charge maximale est de 225 kg pour une hauteur de descente maximale de 200 m.
- la hauteur de descente maximale est de 400 m pour une charge maximale de 150 kg.

En cas de descentes répétées, l'utilisation de l'appareil derope™ est limitée en charge, en hauteur de descente et en nombre de descentes répétées selon les limites indiquées en tableau ci-après.

FR

Nombre maximal de descentes répétées					
Hauteur de descente		< 50 m	< 125 m	< 200 m	< 400 m
Charge d'utilisation	Inf. à 100 kg	60	24	15	7
	Sup. à 100 kg et Inf. à 150 kg	20	8	5	2
	Sup. à 150 kg et Inf. à 225 kg	6	2	1	Interdit

⚠ DANGER: Après chaque utilisation, en descente unique ou descentes répétées, l'appareil derope™ doit faire l'objet d'une vérification par une personne formée et compétente pour cette opération.

⚠ DANGER: Il faut surveiller la hauteur cumulée de descente. Si la hauteur cumulée de descente dépasse les limites indiquées dans le tableau du § 10-1, quel que soit le temps mis pour arriver à ce cumul, l'appareil doit faire l'objet d'une révision selon le § 10-1, à réaliser par une personne formée et compétente pour cette opération.

L'appareil peut être utilisé entre -35°C et +50°C.

⚠ DANGER: Pour être utilisé aux températures négatives (entre -35°C et 0°C), l'appareil doit être sec, drisse comprise.

⚠ DANGER: La personne utilisant un appareil derope™ doit être d'un poids supérieur à 30 kg.

⚠ DANGER: Pour éviter tout risque de brûlure, il est interdit de toucher l'appareil derope™ pendant le fonctionnement et avant qu'il ne refroidisse.

7.2. Évacuation volontaire verticale

Ce type d'évacuation doit être réalisé avec l'appareil derope™ STD, l'appareil derope™ UP A, l'appareil derope™ UP B ou l'appareil derope™ UP K, les deux derniers modèles étant destinés à être utilisés à partir d'une échelle.

La personne à évacuer doit être équipée d'un harnais d'antichute (EN 361), d'un harnais de sauvetage (EN 1497) ou d'une sangle de sauvetage (EN 1498 classe A ou B).

Lors de l'évacuation volontaire verticale, la personne ne doit pas s'écarter de plus de 20° par rapport à la verticale pour éviter un effet de balan excessif.

1. Après avoir installé l'appareil derope™ conformément aux instructions du § 6 procéder comme suit.
2. Accrocher la personne à évacuer ou s'accrocher soi-même par le connecteur en extrémité du brin d'évacuation de l'appareil derope™ à:
 - un point d'accrochage du harnais d'antichute EN 361: ces points sont marqués A s'ils peuvent utilisés seuls ou A/2 s'ils doivent être utilisés en combinaison avec un autre point d'accrochage marqué A/2.
 - un point d'accrochage du harnais de sauvetage EN 1497 ou de la sangle de sauvetage EN 1498 classe A ou B qui sont identifiés par une étiquette à proximité de ce point d'accrochage.
3. Tirer sur le brin libre de la drisse pour tendre le brin d'évacuation.
4. Passer le brin libre de la drisse dans le guide drisse puis le taquet coinqueur.
5. Au besoin, s'assurer que la poignée du volant de manœuvre de l'appareil derope™ UP est escamotée.
6. Mettre la personne à évacuer au dessus du vide: elle ne descend pas du fait que la drisse est bloquée par le taquet coinqueur.
7. Démarrer la descente en libérant le brin libre de la drisse du taquet coinqueur.
8. Une fois arrivée au sol, décrocher la personne.
9. Le connecteur du brin libre ayant remonté vers l'appareil derope™ lors de l'évacuation, s'il y a une autre personne à évacuer, recommencer les points 1 à 7.
10. En cas de descentes répétées, respecter le nombre maximal de descentes indiquées dans le tableau du § 7.1.

7.3. Évacuation volontaire en plan incliné (Fig. 12)

Ce type d'évacuation doit être réalisé avec l'appareil derope™ STD ou l'appareil derope™ UP A.

Le lieu à évacuer doit être équipé d'un câble ou d'une corde tendus en formant avec la verticale un angle compris entre 30° et 60°.

Une poulie double en ligne avec une plaque multi-ancrage doit être positionnée en haut du câble.

La personne à évacuer doit être équipée d'un harnais d'antichute comportant de préférence, pour des raisons de confort, un point d'accrochage sternal (EN 361), d'un harnais de sauvetage (EN 1497) ou d'une sangle de sauvetage (EN 1498 classe B).

1. Après avoir installé l'appareil derope™ conformément aux instructions du § 6, connecter le brin d'évacuation de l'appareil derope™ sur la plaque multi-ancrage, solidaire de la poulie double en ligne.
2. Mettre en place une longe munie de ses 2 connecteurs entre la plaque d'ancrage de la poulie double en ligne et:
 - un point d'accrochage du harnais d'antichute EN 361. Ces points sont marqués A s'ils peuvent être utilisés seuls ou A/2 s'ils doivent être utilisés en combinaison avec un autre point d'accrochage marqué A/2.
 - un point d'accrochage du harnais de sauvetage EN 1497 ou de la sangle de sauvetage EN 1498 classe B qui est identifié par une étiquette à proximité de ce point d'accrochage.
3. Tirer sur le brin libre de l'appareil derope™ pour tendre le brin d'évacuation.
4. Passer le brin libre de la drisse dans le guide drisse puis le taquet coinqueur.
5. S'assurer que la poignée du volant de manœuvre de l'appareil derope™ UP est escamotée.
6. Se laisser glisser le long du câble ou de la corde tendus.
7. Démarrer la descente en libérant le brin libre du taquet coinqueur.
8. Une fois arrivée au sol, décrocher la personne et la poulie double en ligne.
9. Le connecteur du brin libre ayant remonté vers l'appareil derope™ lors de l'évacuation, s'il y a une autre personne à évacuer, recommencer les points 1 à 8.

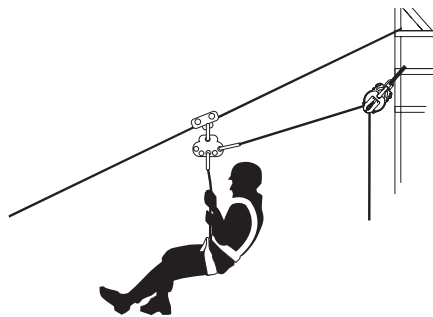



Fig. 12

7.4. Évacuation de sauvetage d'une personne

 **NOTE:** Le présent chapitre ne constitue en aucun cas une procédure de sauvetage. Son objet est de décrire la bonne utilisation des appareils derope™ au moyen d'un exemple.

Toute opération de sauvetage doit être réalisée exclusivement par une personne formée et habilitée pour les opérations de sauvetage. Avant d'entreprendre une opération de sauvetage, il est nécessaire de prévenir les secours.

Pendant toute la durée de la descente, le sauveteur devra avoir un contact visuel avec la personne à évacuer afin de pouvoir agir si besoin est.

Les opérations de sauvetage décrites dans ce chapitre sont réalisées avec un appareil derope™ UP avec récupérateur comportant un volant de manœuvre sur des personnes équipées d'un système antichute. Dans la mesure du possible, le sauveteur interviendra au niveau de la personne à évacuer. Dans le cas contraire, le sauveteur interviendra au niveau du point d'ancrage du système antichute de la personne à évacuer.

Dans l'exemple qui suit, la personne à évacuer est équipée d'un système antichute et vient de chuter. Le sauveteur intervient au contact de la personne à évacuer.

1. Après avoir accédé auprès de la personne à évacuer et après avoir installé l'appareil derope™ conformément aux instructions du § 6, accrocher la personne à évacuer par le connecteur en extrémité du brin d'évacuation de l'appareil derope™ à:
 - un point d'accrochage du harnais d'antichute EN 361: ces points sont marqués A s'ils peuvent être utilisés seuls ou A/2 s'ils doivent être utilisés en combinaison avec un autre point d'accrochage marqué A/2.
 - un point d'accrochage du harnais de sauvetage EN 1497 ou de la sangle de sauvetage EN 1498 classe B qui sont identifiés par une étiquette à proximité de ce point d'accrochage.

2. Au moyen du volant de manœuvre, remonter la personne à évacuer pour détendre le système antichute.
3. Passer le brin libre de la drisse dans le guide drisse puis le taquet coinceur.
4. Escamoter la poignée du volant de manœuvre de l'appareil derope™ UP.
5. Déconnecter la personne à évacuer de son système antichute au niveau du point d'accrochage.
6. Démarrer la descente en libérant le brin libre du taquet coinceur.
5. D'utiliser un appareil derope™ hors du cadre d'opérations d'évacuation ou de sauvetage de personnes.
6. D'utiliser toute autre drisse que la drisse Tractel S.A.S pour appareil derope™.
7. De fixer un appareil derope™ à un point d'ancrage ne répondant pas aux exigences de la norme EN 795. Le point d'ancrage doit avoir une résistance minimale est de 10 kN.
8. D'accrocher un appareil derope™ par d'autres dispositifs que ceux qui ont été prévus par Tractel S.A.S.
9. D'installer un appareil derope™ sans que ce dernier se trouve au-dessus de la personne à évacuer.

7.5. Remontée d'une personne

Lors de l'utilisation de l'appareil derope™ UP R sur une console du trépied trapode de Tractel® il est possible de remonter une personne:

- soit en actionnant le volant de manœuvre manuellement
- soit en utilisant l'assistance d'une perceuse / visseuse.

⚠ DANGER: Il est impératif de bien rabattre la poignée éclipseable avant d'utiliser la perceuse / visseuse pour actionner l'appareil derope™ UP R.

⚠ DANGER: Il est impératif de maintenir la perceuse / visseuse à 2 mains lors de l'opération de remontée d'une personne.

⚠ DANGER: Il est impératif de ne pas lâcher la perceuse / visseuse tant que la personne à évacuer est suspendue à l'appareil derope™ UP R.

8. Utilisations fautives interdites

Il est strictement interdit:

1. D'installer ou d'utiliser un appareil derope™ sans y avoir été autorisé, formé et reconnu compétent ou à défaut, sans être sous la responsabilité d'une personne autorisée, formée et reconnue compétente.
2. D'utiliser un appareil derope™ si l'un des marquages sur l'appareil n'est plus présent ou lisible.
3. D'installer ou d'utiliser un appareil derope™ n'ayant pas fait l'objet des vérifications préalables (voir § 6-2).
4. D'utiliser un appareil derope™ qui n'a pas fait l'objet d'un contrôle périodique, depuis moins de 12 mois, par un technicien ayant autorisé sa réutilisation par écrit (voir §10-1).
5. D'utiliser un appareil derope™ sans que ce dernier se trouve au-dessus de la personne à évacuer.
10. D'utiliser un appareil derope™ sans avoir préalablement vérifié l'espace disponible autour de la personne à secourir pendant sa descente ou son ascension.
11. D'utiliser les appareils derope™ UP B et UP K sans mettre en place la longe d'assurance.
12. D'utiliser un appareil derope™ UP R sur un trépied autre que le trépied trapode de Tractel S.A.S.
13. D'utiliser un appareil derope™ en dépassement de durée de vie prévue par Tractel S.A.S.
14. D'utiliser un appareil derope™ au-delà de la charge maximale autorisée ou de la hauteur de descente maximale autorisée.
15. D'utiliser un appareil derope™ avec une personne dont le poids est inférieur à 30 kg.
16. D'utiliser un appareil derope™ en descentes répétées au-delà du nombre maximal de descentes autorisées.
17. D'utiliser un appareil derope™ dans le cadre d'un système d'arrêt des chutes au sens de la norme EN 363.
18. D'utiliser un appareil derope™ en tant que moyen de suspension pour le maintien au poste.-
19. D'utiliser un appareil derope™ en atmosphère explosible.
20. D'exposer un appareil derope™ ou sa drisse à une source de chaleur ou de lumière directe.
21. D'utiliser un appareil derope™ ou sa drisse en dehors de la plage des températures comprises entre -35°C et +50°C.
22. De mettre un appareil derope™ ou sa drisse en contact avec des substances chimiques agressives, des surfaces abrasives ou coupantes.

23. D'utiliser l'appareil derope™ si l'extrémité de la drisse n'atteint pas le sol.
24. De gêner l'auto-alignement d'un appareil derope™ par rapport à la drisse
25. D'empêcher la libre rotation du volant de manœuvre des appareils derope™ UP A, B, K ou, R.
26. D'insérer un quelconque élément dans les orifices de passage de la drisse d'un appareil derope™.
27. D'ouvrir un appareil derope™, de le graisser ou, d'y apporter une quelconque modification.
28. De procéder à des réparations d'un appareil derope™ sans avoir été formé et reconnu compétent pour cela, par écrit, par Tractel S.A.S.
29. De toucher l'appareil derope™ sans s'être assuré de son refroidissement après utilisation.
30. D'utiliser l'appareil derope™ UP R sur une console du trépid trapcode de Tractel® avec une perceuse / visseuse si la poignée éclipseable du volant de manœuvre n'est pas repliée.
31. D'utiliser l'appareil derope™ UP R sur une console du trépid trapcode de Tractel® avec une perceuse / visseuse si l'utilisateur n'a pas les 2 mains sur la perceuse.
32. De lâcher la perceuse / visseuse si elle est mise en place en bout de l'axe de l'appareil derope™ UP R lorsqu'il y a une personne suspendue.

9. Entretien et stockage

Les équipements objets de la présente notice doivent être stockés et transportés dans leur emballage d'origine.
Pendant leur stockage et/ou leur transport, ces équipements doivent être:

1. Conservés au sec,
2. Conservés à une température comprise entre -35°C et +50°C,
3. Protégés contre les sources de chaleur directe et contre le rayonnement UV,
4. Protégés contre les agressions chimiques, mécaniques ou toute autre agression.

10. Examen périodique et réparation

Un examen périodique annuel est obligatoire, mais en fonction de la fréquence d'utilisation, des conditions environnementales et de la réglementation de l'entreprise ou du pays d'utilisation, les examens périodiques peuvent être plus fréquents.
Les examens périodiques doivent être effectués par un technicien habilité et compétent et dans le respect des

modes opératoires d'examen du fabricant retranscrits dans le fichier "Instructions de vérification des EPI Tractel®".

La vérification de la lisibilité du marquage sur le produit fait partie intégrante de l'examen périodique.

A l'issue de l'examen périodique, la remise en service doit être signifiée par écrit par le technicien habilité et compétent qui a effectué l'examen périodique. Cette remise en service du produit doit être enregistrée sur la feuille de contrôle qui se trouve au milieu de la présente notice. Cette feuille de contrôle doit être conservée pendant toute la durée de vie du produit, jusqu'à sa réforme.

Après avoir arrêté une chute, le présent produit doit obligatoirement faire l'objet d'un examen périodique tel qu'il est décrit dans le présent article. Les éventuels composants textiles du produit doivent être obligatoirement changés, même s'ils ne présentent aucune altération visible.

10.1. Révision de l'appareil



DANGER: La révision de l'appareil est obligatoire dans les cas suivants:

1. **En cas d'anomalie constatée lors d'un contrôle, annuel ou non, ou dès que l'on a identifié un défaut de fonctionnement ou un mauvais état apparent.**
2. **Lorsque le cumul des hauteurs de descente atteint la limite indiquée en tableau ci-après, quel que soit le temps mis pour arriver à ce cumul.**

Limite de hauteurs cumulées de descente déclenchant obligatoirement la révision de l'appareil et le changement de la drisse.

Charge	Inf. à 100 kg	3000 m
	Sup. à 100 kg et Inf. à 150 kg	1000 m
	Sup. à 150 kg et Inf. à 225 kg	300 m

La révision de l'appareil est réalisée exclusivement par une personne formée et compétente pour réaliser les opérations de maintenance, par Tractel® ou par un réparateur agréé.

Il est obligatoire de procéder au changement de la drisse dès que l'appareil atteint les hauteurs cumulées indiquées dans le tableau ci-dessus.

11. Durée de vie

Les EPI textiles Tractel® comme les harnais, longues, cordes et absorbeurs, les EPI mécaniques Tractel® comme les antichutes stopcable™ et stopfor™, les antichutes à rappel automatique blocfor™, et les lignes de vie Tractel® sont utilisables sous réserve qu'à compter de leur date de fabrication ils fassent l'objet :
– d'une utilisation normale dans le respect des préconisations d'utilisation de la présente notice.

- d'un examen périodique qui doit être réalisé au minimum 1 fois par an par un technicien habilité et compétent. A l'issue de cet examen périodique, l'EPI doit être déclaré par écrit apte à sa remise en service.
- du strict respect des conditions de stockage et de transport mentionnées dans la présente notice.

12. Mise au rebut

Lors de la mise au rebut du produit, il est obligatoire de recycler les différents composants par un tri des matières métalliques et par un tri des matériaux synthétiques.

Ces matériaux doivent être recyclés auprès d'organismes spécialisés. Lors de la mise au rebut, le démontage, pour la séparation des constituants, doit être réalisé par une personne compétente.

13. Marquage du produit

13.1. Marquage du descenseur derope™

Les étiquettes des appareils derope™ sont reproduites figures 13a, 13b et 13c. Elles indiquent:

- a: la marque commerciale: Tractel®.
- b: la désignation du produit.
- c: la norme de référence suivie de l'année d'application.
- d: la référence du produit: ex 010042.
- e: le logo CE suivi du n° de l'organisme notifié article 11 B contrôle de production 0082.
- f: l'année et la semaine de fabrication.
- g: le numéro de série.
- h: un pictogramme indiquant qu'il faut lire la notice avant l'utilisation.
- i: vérification visuelle et fonctionnelle avant utilisation.
- j: diamètre de la drisse Tractel®.
- k: plage de température d'utilisation.
- l: charges limites et longueurs limites d'utilisation.
- m: ne pas faire frotter la drisse sur une arête vive.
- n: utilisation pour évacuation simple.
- o: utilisation pour évacuation sur plan incliné.
- p: utilisation pour évacuation simple et de sauvetage.

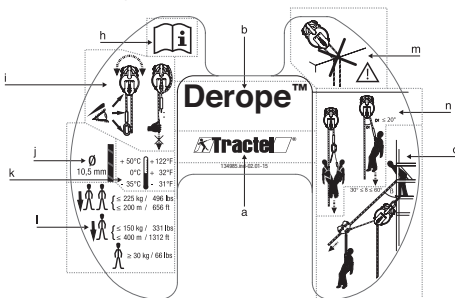


Fig. 13a

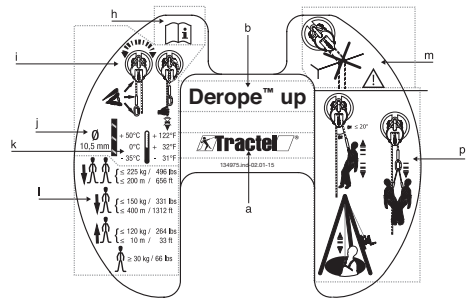


Fig. 13b

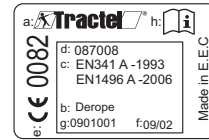


Fig. 13c

13.2. Marquage de la drisse

L'étiquette de chacune des drisses de descenseurs derope™ est reproduite figure 14. Elle indique:

- a: la marque commerciale: Tractel®.
- y: longueur standard de la drisse.
- z: longueur spéciale de la drisse.

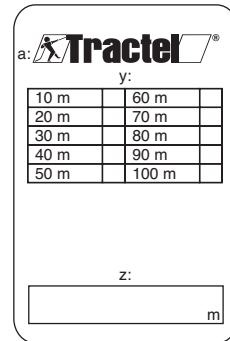


Fig. 14

Inhalt

1. Allgemeine Warnhinweise	32
2. Definitionen und Piktogramme	33
3. Präsentation des Geräts.....	35
4. Funktion und Beschreibung.....	36
5. Mitverwendete Produkte.....	37
6. Installation	37
7. Benutzung	41
8. Verbotene fehlerhafte Anwendungen	44
9. Transport und Lagerung	45
10. Regelmäßige Prüfung	45
11. Lebensdauer.....	45
12. Ausmusterung	46
13. Kennzeichnung des Produkts.....	46

Vorbemerkung:

Im Rahmen der ständigen Verbesserung seiner Produkte behält sich Tractel® jederzeit Änderungen aller Art an den in dieser Anleitung beschriebenen Ausrüstungen vor.

Die Firmen der Tractel®-Gruppe und ihre Vertragshändler liefern Ihnen auf Anfrage die Dokumentation über die gesamte Tractel®-Produktreihe: Hebezeuge und Zugmittel inklusive Zubehör, vorübergehende und permanente Zugangstechnik, Sicherheitsvorrichtungen für Lasten, elektronische Lastanzeiger, usw.

Das Tractel®-Netz bietet Ihnen einen Kundendienst und eine regelmäßige Wartung an.

1. Allgemeine Warnhinweise

1. Sie müssen zur Gewährleistung der Installations- und Betriebssicherheit und einer optimalen Effizienz unbedingt die vorliegende Anleitung zur Kenntnis nehmen und die darin enthaltenen Vorschriften vor der Benutzung dieses Gerätetyps genau einhalten.
2. Die Anleitung muss dem Benutzer des derope™-Geräts ausgehändigt und allen Rettungsdienstmitarbeitern zur Verfügung gestellt werden. Auf Anfrage liefert Tractel S.A.S zusätzliche Exemplare.
3. Benutzung, Wartung und Verwaltung des derope™-Geräts muss unter der Verantwortung von Personen erfolgen, die die für diesen Materialtyp und die damit verbundenen Ausrüstungen geltenden Sicherheitsbestimmungen und Normen kennen und über die notwendige Autorität zu deren Durchsetzung verfügen. Jeder Benutzer muss die vorliegende Anleitung gelesen und verstanden haben. Er muss die Kompatibilität der verbundenen persönlichen Schutzausrüstungen untereinander und hinsichtlich des derope™-Geräts sicherstellen. Bei der ersten Inbetriebnahme des derope™-Geräts muss die Übereinstimmung des Gerätezustands mit den in der vorliegenden Anleitung empfohlenen Prüfungen durch einen sachkundigen Techniker sichergestellt werden.
4. Wenn Sie die Benutzung des derope™-Geräts einer angestellten oder gleichgestellten Person anvertrauen müssen, müssen Sie die geltenden Arbeitsschutzbestimmungen einhalten.
5. Alle Personen, die das derope™-Gerät benutzen wollen, müssen in geeigneter körperlicher und beruflicher Verfassung zur Durchführung von Arbeiten in der Höhe und Rettungsmaßnahmen sein. Im Zweifelsfall den Hausarzt bzw. Arbeitsarzt konsultieren. Sie müssen eine geeignete (theoretische und praktische) vorherige Schulung unter sicheren Bedingungen erhalten, bei der die persönlichen Schutzausrüstungen gemäß den Sicherheitsbestimmungen eingesetzt werden. Die Schulung muss eine vollständige Information über die Kapitel der vorliegenden Anleitung hinsichtlich der Benutzung umfassen. Die Benutzung des Geräts ist für schwangere Frauen verboten.
6. Das derope™-Gerät darf ausschließlich zur Rettung oder Bergung von Personen verwendet werden, gemäß den Angaben dieser Anleitung. Keine sonstige Verwendung ist erlaubt. Es darf insbesondere niemals als Aufhängesystem oder Bestandteil eines Auffangsystems gemäß der Norm EN 363 benutzt werden.
7. Vor jeder Benutzung des Geräts muss das Vorhandensein und die Lesbarkeit der auf dem Gerät angebrachten Kennzeichnungen sichergestellt werden. Wenden Sie sich für alle Anfragen an Tractel S.A.S oder Ihren Händler.
8. Die Benutzung des derope™-Geräts macht die Verbindung bzw. das Anschlagen von persönlichen Schutzausrüstungen gegen Absturz oder zur Rettung erforderlich. Ein Auffanggurt (EN 361), ein Rettungsgurt (EN 1497) und eine Rettungsschleufe (EN 1498 Klasse A oder Klasse B) sind die einzigen Sicherheitsgeschirre, die der zu rettenden Person während der Rettung angelegt und mit dem derope™-Gerät verbunden werden dürfen.
9. Jeder Anschlagpunkt, an dem das derope™-Gerät befestigt wird, muss den Anforderungen der Norm EN 795 entsprechen oder eine Mindest-Tragfähigkeit (Zugbelastung) von 10 kN (1 Tonne) aufweisen.
10. Wenden Sie sich vor jeder Benutzung in einer Umgebung mit spezifischem Risiko an Tractel

S.A.S, insbesondere in folgenden Fällen (Liste nicht erschöpfend): korrosive Umgebung oder Umgebung mit chemischem Risiko, explosionsgefährdete Umgebung, Umgebung mit elektrischem Risiko, Strahlenrisiko, usw.

11. Vor jedem Einsatz muss der Rettungsdienstmitarbeiter eine Sichtprüfung des derope™-Geräts durchführen, um sicherzustellen, dass das Gerät und die verbundenen persönlichen Schutzausrüstungen betriebsbereit und kompatibel sind und gemäß den jeweiligen Anleitungen richtig angebracht und verbunden sind.
12. Vor der Benutzung der in dieser Anleitung beschriebenen Ausrüstungen muss sichergestellt werden, dass sich keine Hindernisse auf dem Rettungsweg befinden und keine Gefahr des Kontakts mit gefährlichen Gegenständen besteht.
13. Vor jeder Benutzung des Geräts muss der von dem Verantwortlichen des Einsatzortes erstellte Rettungsplan zur Kenntnis genommen werden.
14. Tractel S.A.S empfiehlt, jeden Rettungsdienstmitarbeiter mit einem Kommunikationsmittel auszustatten, mit dem er im Notfall einen Notruf absenden kann.
15. In einem Auffangsystem ist es von entscheidender Bedeutung, vor jeder Benutzung den Freiraum zur Aufprallfläche unter dem Arbeitsplatz des Rettungsdienstmitarbeiters zu prüfen, so dass er beim Absturz weder auf den Boden prallen noch auf Hindernisse stoßen kann. Der Freiraum zur Aufprallfläche muss ausreichend sein.
16. Die in dieser Anleitung beschriebenen Ausrüstungen sind für einen Betrieb bei Temperaturen von -35°C bis 50°C geeignet. Bei Minustemperaturen (-35°C bis 0°C) muss unbedingt dafür gesorgt werden, dass die Ausrüstung einschließlich Kernmantelseil trocken ist.
17. Bei der Benutzung der in dieser Anleitung beschriebenen Ausrüstungen müssen die folgenden Punkte gemäß Kapitel 7-1 unbedingt beachtet werden:
 - Die Tragfähigkeit.
 - Die Mindestlast von 30 kg.
 - Die maximale Abseilhöhe.
 - Die Zahl der wiederholten Abseilvorgänge.
 - Die kumulierte Abseilhöhe.
18. Wenn die kumulierte Abseilhöhe die angegebenen Grenzwerte erreicht, muss die Überprüfung der Ausrüstung durchgeführt werden (siehe Kapitel 10-1).
19. Das Gerät derope™ UP R darf ausschließlich mit dem Dreibaum trapcode von Tractel® benutzt

werden. Jede vergleichbare Benutzung mit einem Dreibaum anderer Herkunft ist verboten.

20. Nach jeder Benutzung muss das derope™-Gerät sowie die betroffenen persönlichen Schutzausrüstungen unbedingt vor der Wiederinbetriebnahme geprüft werden. Diese Prüfung muss gemäß den Angaben dieser Anleitung von einem sachkundigen Techniker durchgeführt werden, der die erneute Benutzung schriftlich genehmigt. Wenn bei der Sichtprüfung ein Schaden festgestellt wird oder ein Zweifel hinsichtlich des Zustands des derope™-Geräts oder einer verbundenen persönlichen Schutzausrüstung besteht, muss es außer Betrieb genommen werden, um die Benutzung vor der Instandsetzung zu verhindern. Anschließend muss die erneute Benutzung schriftlich von einem sachkundigen und geschulten Techniker genehmigt werden. Schicken Sie jedes derope™-Gerät, das beschädigt ist oder bei dem Zweifel bestehen, an Tractel S.A.S oder Ihren Händler.
21. Eine regelmäßige Prüfung des derope™-Geräts und der verbundenen persönlichen Schutzausrüstungen muss mindestens alle 12 Monate unter der Aufsicht eines sachkundigen Technikers erfolgen, der eine entsprechende Schulung erhalten hat und die erneute Benutzung schriftlich genehmigt. Die Schulung kann von Tractel S.A.S erteilt werden. Die Prüfung muss gemäß der Richtlinie 89/656/EWG und den Angaben der vorliegenden Anleitung sowie der Wartungsanleitung erfolgen.
22. Tractel S.A.S lehnt jede Haftung für die Folgen einer Demontage oder jeder Änderung des derope™-Geräts außerhalb seiner Kontrolle ab, insbesondere beim Austausch des Kernmantelseils durch eine unbefugte Person.
23. Wenn das derope™-Gerät in ein anderssprachiges Land weiterverkauft wird, muss der Händler zur Gewährleistung einer sicheren Rettung oder Bergung die vorliegende Gebrauchsanleitung in der Landessprache des Einsatzortes des derope™-Geräts mitliefern.

2. Definitionen und Piktogramme

2.1. Definitionen

- **Abseilgerät:** Rettungsgerät, mit dem eine Person von einem hochgelegenen Ort auf den Boden abgeseilt werden kann, mit geregelter Abseilgeschwindigkeit, allein oder mit Hilfe eines Retters. Entspricht der Norm EN 341.
- **Benutzer:** Person oder Abteilung, die für die Verwaltung und Betriebssicherheit des in dieser Anleitung beschriebenen Produkts verantwortlich ist. (Nicht mit «Bediener» verwechseln, selbst wenn es

sich um dieselbe Person handeln kann). Der Begriff Benutzer ist weder mit dem «Kunden» noch mit dem «Bediener» identisch.

- **Techniker:** Qualifizierte Person, die für die in dieser Anleitung beschriebenen und dem Benutzer erlaubten Wartungsarbeiten zuständig ist, und die sachkundig und mit dem Produkt vertraut ist.
- **Karabinerhaken:** Verbindungselement zur Verbindung von Bestandteilen eines Auffangsystems. Entspricht der Norm EN 362.
- **Kernmantelseil:** Seil mit einer Multifilament-Seele und einem zylindrischen Außenmantel.
- **Anschlageinrichtung:** Befestigungseinrichtung eines Auffangsystems, mit einer Mindest-Tragfähigkeit von 10 kN (1 Tonne). Entspricht der Norm EN 795.
- **Verbindungsmittel:** Verbindungselement zwischen einem Anschlagpunkt und einem Sicherungssystem.
- **Schotklemme:** System zum Arretieren des Abfahrseils.
- **Kernmantelseilführung:** Augenschraube zum Umlenken des Abfahrseils.
- **Adapter:** Einrichtung zur Befestigung eines Abseilgeräts an einer Leiter oder einem Dreibaum.
- **Rettsungsöse:** spezieller Verbindungspunkt an einem Auffanggurt oder Rettungsgurt zum Anschlagen von Rettungs- oder Evakuierungssystemen.
- **Handrad:** Handrad, mit dem das derope™-Gerät vom Typ UP ausgestattet ist, mit dessen Hilfe eine Person einige Meter angehoben werden kann.
- **Auffanggurt:** Sicherheitsgeschirr zum Auffangen von Abstürzen. Es besteht aus Gurten und Befestigungselementen. Es enthält Auffangösen mit der Kennzeichnung A, wenn sie allein benutzt werden können, oder mit der Kennzeichnung A/2, wenn sie gemeinsam mit einer anderen Öse A/2 benutzt werden müssen. Entspricht der Norm EN 361.
- **Rettungsgurt/Rettungsschleufe:** Sicherheitsgeschirr, um eine zu rettende Person während der Rettung in einer bestimmten Position zu halten. Sie entsprechen den Normen EN 1497 und EN 1498.
- **Dreibaum:** Dreibaum mit 3 höhenverstellbaren Stützen, der einen Anschlagpunkt bildet. Entspricht der Norm EN 795 Klasse B.
- **Aktives Abseilen:** die Person rettet sich selbst oder mit Hilfe einer sachkundigen Person von einem hochgelegenen Ort auf den Boden.
- **Passives Abseilen:** die verunglückte Person wird von einem Retter abgeseilt.
- **Mehrfach-Anschlagplatte:** Sie ermöglicht die Befestigung mehrerer Karabinerhaken an demselben Anschlagpunkt. Sie ermöglicht die Ausrichtung und Verteilung der Last bei Rettungsmaßnahmen.
- **Doppelseilrolle in Reihe:** Seilrolle mit zwei in Reihe angeordneten Rollen speziell für Rettungsseilbahnen. Entspricht der Norm EN 12278.

2.2. Piktogramme

 **GEFAHR:** Am Zeilenanfang befindliche Kennzeichnung der Anweisungen zur Vermeidung von

Personenschäden wie tödlichen, schweren oder leichten Verletzungen, sowie zur Vermeidung von Umweltschäden.



WICHTIG: Am Zeilenanfang befindliche Kennzeichnung der Anweisungen zur Vermeidung einer Störung oder Beschädigung der Ausrüstungen, die jedoch keine direkte Gefahr für das Leben und die Gesundheit des Bediener oder anderer Personen darstellen und/oder keinen Umweltschaden verursachen.



HINWEIS: Am Zeilenanfang befindliche Kennzeichnung der Anweisungen zur Gewährleistung einer effizienten und zweckmäßigen Installation, Benutzung und Wartung.



Verpflichtung, die Gebrauchsanleitung zu lesen.



AUF DER KONTROLLKARTE FESTHALTEN:

Die Informationen auf der herauslösbaren Kontrollkarte in der Mitte dieser Anleitung festhalten.

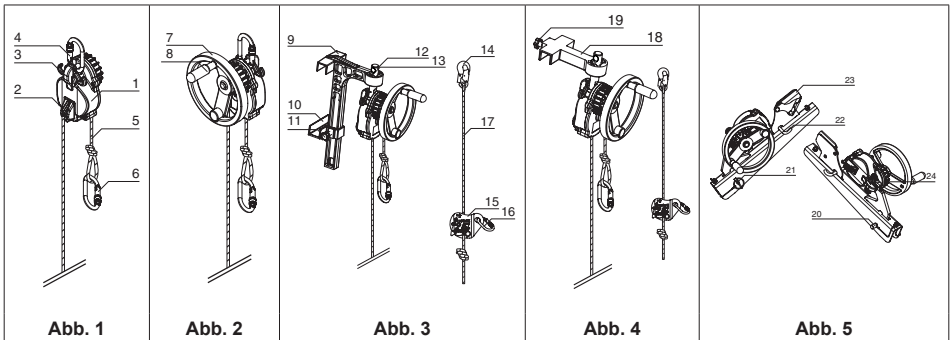
3. Präsentation des Geräts

3.1. Versionen der Geräte

Handelsname	derope™ STD Abb. 1	derope™ UP A Abb. 2	derope™ UP B Abb. 3	derope™ UP K Abb. 4	derope™ UP R Abb.5
Beschreibung	Abseilgerät derope™ Standard.	Abseilgerät derope™ mit Rettungshub - einrichtung.	Abseilgerät derope™ mit Rettungshub - einrichtung mit großem Adapter.	Abseilgerät derope™ mit Rettungshub - einrichtung mit kleinem Adapter	Abseilgerät derope™ mit Rettungshubein - richtung mit Adapter für den Dreibaum.
Funktionsbeschreibung	Abseilgerät zur Personenrettung mit konstanter Abseilgeschwindigkeit im Pendelverkehr.	Abseilgerät derope™ STD mit Rettungshub - funktion dank eines Handrads.	Abseilgerät derope™ UP A mit einem Adapter zur Befestigung an Leitersprossen mit Verriegelung.	Abseilgerät derope™ UP A mit einem Adapter zur Abstützung auf Leitersprossen.	Abseilgerät derope™ UP A mit einem Adapter zur Befestigung am Dreibaum trapcode von Tractel®.
Zusammensetzung des Lieferumfangs	- Abseilgerät. - Kernmantelseil. - 3 Karabinerhaken. - Anleitung + Konformitätsbescheinigung		- Abseilgerät. - Kernmantelseil. - 2 Karabinerhaken. - Halteseil mit 2 Karabinerhaken und Längeneinstellvorrichtung LCM 05. - Adapter zur Befestigung oder Abstützung. - Anleitung + Konformitätsbescheinigung.		- Abseilgerät. - Kernmantelseil. - 2 Karabinerhaken. - Adapter zur Befestigung am Dreibaum durch Befestigungsbolzen. - Anleitung + Konformitäts - bescheinigung.

DE

3.2. Schemata der Geräte



- 1: Gehäuse
- 2: Schotklemme
- 3: Kernmantelseilführung des Geräts
- 4: Oberer Karabinerhaken
- 5: Kernmantelseil
- 6: Karabinerhaken am Ende des Kernmantelseils
- 7: Handrad
- 8: ausklappbarer Griff
- 9: Adapter zur Befestigung an Leitersprossen mit Verriegelung
- 10: Sicherungsgleitstück
- 11: Sicherungsbolzen
- 12: Befestigungsbolzen
- 13: Positionierungsstift
- 14: Karabinerhaken des Halteseils
- 15: Einstellvorrichtung LCM 05
- 16: Karabinerhaken der Einstellvorrichtung LCM 05
- 17: Halteseil
- 18: kleiner Adapter zur Abstützung
- 19: Sicherungsbolzen
- 20: Befestigungsbolzen
- 21: Sicherungsstift
- 22: Kernmantelseilführung des Adapters
- 23: Schotklemme für Kernmantelseil
- 24: Sicherungsschraube

Übereinstimmung mit den Vorschriften

- EN 341 Klasse A: Abseilgerät mit großer Abseilleistung.
- EN 1496 Klasse A: Rettungshubgerät.
- Artikel 11 B der Richtlinie 89/686/EWG unter der Kontrolle der gemeldeten Stelle: APAVE SUDEUROPE, CS60193, F-13322 Marseille, Cedex 16, France, Kennnummer 0082.
- Die Ausrüstung ist mit der PSA identisch, die die EG-Baumusterbescheinigung von APAVE SUDEUROPE, CS60193, F-13322 Marseille, Cedex 16, France, mit der Kennnummer 0082, erhalten hat und gemäß den Normen EN 341 Klasse A aus dem Jahr 1993, EN 1496 Klasse A aus dem Jahr 2006 geprüft wurde.

4. Funktion und Beschreibung

4.1. Funktionen

4.1.1. Funktion Abseilgerät

Diese Funktion ermöglicht das Abseilen von 1 oder 2 Personen mit einer durch eine in beide Richtungen wirkende Fliehkraftbremse geregelten Geschwindigkeit von 0,5 bis 2 m/s. Das Gerät kann im Pendelverkehr benutzt werden. Die Funktion Abseilgerät wird von allen Geräten der Modellreihe derope™ von Tractel® erfüllt.

4.1.2. Funktion Rettungshubgerät

Diese Funktion ermöglicht, die zu rettende Person anzuheben.

- Sie kann mit Hilfe eines Handrads mit ausklappbarem Griff vom Retter ausgeführt werden. Die Hubgeschwindigkeit beträgt ca. 1 m/min.
- Sie kann mit Hilfe eines tragbaren Werkzeugs vom Typ Bohrschrauber ausgeführt werden, der am Ende des mit einem Sechskant ausgestatteten Ritzels im Zentrum des Handrads angebracht wird. Die Hubgeschwindigkeit beträgt ca. 5 m/min.

Diese Funktion wird von den Geräten derope™ UP A / UP B / UP K / UP R erfüllt.

4.1.3. Funktion Verlangsamung oder Stopp des Abseilvorgangs

Indem das Leertrum des Kernmantelseils des Geräts durch die Seilführung geführt wird, kann der Retter den Abseilvorgang von Hand verlangsamen oder stoppen. Um das Gerät zu arretieren, muss das Leertrum in die Schotklemme des Geräts eingeführt werden. Diese Funktion wird von allen Geräten der Modellreihe derope™ von Tractel® erfüllt.

4.1.4. Funktion Anschlag

4.1.4.1. Gerät derope™ STD und UP A

Diese 2 Geräte werden mit einem oben am Gerät befindlichen Karabinerhaken an einem Anschlagpunkt, der die Forderungen der Norm EN 795 erfüllt, oder

jeder anderen Struktur mit einer Tragfähigkeit über 10 kN (1 Tonne) angeschlagen.

4.1.4.2. Gerät derope™ UP B

Das Gerät ist mit einem Adapter zur Befestigung an Leitersprossen ausgestattet. Der Adapter muss an 2 aufeinanderfolgenden Leitersprossen verriegelt und unbedingt mit dem Halteseil gemäß den Empfehlungen von Kapitel 6 gesichert werden.

4.1.4.3. Gerät derope™ UP K

Das Gerät ist mit einem Adapter zur Abstützung auf Steigeisen oder Leitersprossen ausgestattet. Der Adapter muss verriegelt und unbedingt mit dem Halteseil gemäß den Empfehlungen von Kapitel 6 gesichert werden.

4.1.4.4. Gerät derope™ UP R

Das Gerät ist mit einem Adapter zur Befestigung ausschließlich am Dreibaum trapcode von Tractel® ausgestattet. Der Adapter muss an der Stütze des Dreibaums mit dem Befestigungsbolzen verriegelt werden.

4.2. Zubehör

Der derope™-Gerätebeutel mit Haspel ist zur Aufnahme des Geräts derope™ STD oder des Geräts derope™ UP A mit bis zu 80 Metern Kernmantelseil bestimmt. Der Beutel ermöglicht den sicheren Transport und eine einfache Handhabung bei der Rettung. Die derope™-Geräte können als Option mit einer Haspel ausgestattet werden, die zum Abrollen des Kernmantelseils und zur Beseitigung der Verhedderungsgefahr bei der Benutzung dient.

4.3. Technische Daten und Benutzung des Produkts mit dem verwendeten Material

Handelsname	derope™ STD	derope™ UP A	derope™ UP B	derope™ UP K	derope™ UP R
Gewicht (kg)	1.9	3.0	6.1	4.6	6.5
Ungefähre Abmessungen (mm) (H × L × B)	170 × 120 × 105	225 × 200 × 165	430 × 200 × 315	265 × 200 × 325	485 × 265 × 165
Rettungshubkurbel	Nicht zutreffend	Ja			
Max. Tragfähigkeit Rettungshub	Nicht zutreffend	120 kg			
Kraftaufwand an der Kurbel	Nicht zutreffend	5 kg			
Normen	EN 341 Klasse A	EN 341 Klasse A + EN 1496 Klasse A			
Abseilgeschwindigkeit	0.5 m/s bis 2 m/s				
Kernmantelseil	Tractel®-Kernmantelseil Durchmesser 10.5 mm				

4.4. Kernmantelseil

⚠ GEFAHR: Nur das mit dem Gerät gelieferte Tractel®-Kernmantelseil ist für die Benutzung mit dem derope™-Gerät von Tractel® zugelassen. Das Kernmantelseil kann in Längen von 10 bis 400 m gemäß den Geschäftsbedingungen von Tractel® geliefert werden.

5. Mitverwendete Produkte

5.1. Sicherheitsgeschirr

- Auffanggurt gemäß der Norm EN 361. Die zu rettende Person muss an den Auffangösen angeschlagen werden. Die Auffangöse trägt die Kennzeichnung A, wenn sie allein benutzt werden kann, oder die Kennzeichnung A/2, wenn sie gemeinsam mit einer anderen Auffangöse A/2 benutzt werden muss.
- Rettungsgurt oder Rettungsschlaufe gemäß den Normen EN 1497 oder EN 1498. Die zu rettende Person muss an einer Rettungsöse angeschlagen werden, die durch ein Etikett in der Nähe der Öse gekennzeichnet ist.

5.2. Anschlageinrichtungen

- Die Anschlageinrichtungen müssen die Forderungen der Norm EN 795 erfüllen. Sie müssen eine Mindest-Tragfähigkeit von 10 kN (1 Tonne) aufweisen.
- Das Gerät derope™ UP R ist speziell für die Befestigung an einer Stütze des Dreibaums trapocde von Tractel® ausgelegt und zugelassen.

⚠ GEFAHR: Jeder vergleichbare Benutzung mit einem Dreibaum anderer Herkunft ist verboten.

5.3. Doppelseilrolle in Reihe

- Seilrolle mit zwei in Reihe angeordneten Rollen speziell für Rettungsseilbahnen.

5.4. Mehrfach-Anschlagplatte

– Die Mehrfach-Anschlagplatte ermöglicht die Befestigung mehrerer Karabinerhaken an demselben Anschlagpunkt. Sie ermöglicht die Ausrichtung und Verteilung der Last bei Rettungsmaßnahmen.

5.5. Bohrschrauber

- Bohrschrauber mit einer min. Leistung von 300 W können mit den derope™ UP benutzt werden, um den Bediener bei der Rettung nach oben zu unterstützen.
- Bei Benutzung eines Akkuschraubers muss dieser einen Akku mit einer Spannung von mindestens 14 V besitzen, um die für die Rettung erforderliche Leistung zu gewährleisten.

6. Installation

6.1. Voraussetzungen für die Installation

1. Die Installation des derope™-Geräts muss von einer geschulten und sachkundigen Person durchgeführt werden.
2. Die Installation und Benutzung der derope™-Geräte müssen in Übereinstimmung mit den Gesetzen und Vorschriften des Landes erfolgen.

6.2. Prüfungen vor der Installation

⚠ GEFAHR: Die nachfolgend beschriebenen Prüfungen müssen durchgeführt werden, sobald der Einsatz des derope™-Geräts wahrscheinlich wird, um zu verhindern, dass eine Notsituation die Prüfungen unmöglich macht.

1. Sichtprüfung der Tragstruktur:
 - Anschlagpunkt für die Geräte derope™ STD und UP A: gemäß der Norm EN 795 oder mit einer Mindest-Tragfähigkeit von 10 kN (1 Tonne).
 - Leiter für die Geräte derope™ UP B und UP K:
 - Holme nicht verformt, ordnungsgemäß an der Wand befestigt: Mindest-Tragfähigkeit 10 kN (1 Tonne).

- Sprossen, an denen der Adapter angebracht wird, nicht verformt.
- Dreibaum trapcode von Tractel® für die Geräte derope™ UP R.
 - Teleskopierbare Stützen nicht verformt, nicht verbogen.
 - Vorhandensein der Gummifußplatten unter den Stützen.
 - Vorhandensein einer Umlenkrolle am Kopf des Dreibaums trapcode.
 - Keine Spuren von Verformung oder Korrosion am Kopf des Dreibaums trapcode.
 - Vorhandensein der Kernmantelseil-Absprungsicherung an der Umlenkrolle.
- 2. Sichtprüfung des Kernmantelseils auf seiner gesamten Länge sowie der beiden Enden, um die Unversehrtheit des Mantels und die Gleichmäßigkeit des Durchmessers sicherzustellen.
- 3. Funktionsprüfung des Geräts durch manuelle Bewegung des Kernmantelseils im Gerät über eine Länge von mindestens 1 m in beide Richtungen, um sicherzustellen, dass der Bewegungswiderstand mit zunehmender Geschwindigkeit zunimmt.
- 4. Prüfung des einwandfreien Gehäusezustands: kein Vorhandensein ernster Schäden, Vorhandensein und Lesbarkeit aller Kennzeichnungen.
- 5. Prüfung der Karabinerhaken: keine Verformung oder Korrosion, Verschluss und Verriegelung funktionsfähig.
- 6. Prüfung der Adapter für die Geräte derope™ UP B / UP K / UP R: keine Verformung oder Korrosion, Verriegelung funktionsfähig.
- 7. Prüfung der Halteseile für die Geräte derope™ UP B und UP K: Prüfung des Kernmantelseils, der Karabinerhaken, der Längeneinstellvorrichtung.
- 8. Prüfung aller mitverwendeten Produkte gemäß den Empfehlungen der jeweiligen Anleitungen.
- 9. Sicherstellen, dass das derope™-Gerät innerhalb der vergangenen 12 Monate überprüft wurde.
- 10. Sicherstellen, dass das derope™-Gerät über die für die Rettung erforderliche Kapazität hinsichtlich der Anzahl der aufeinanderfolgenden oder nicht aufeinanderfolgenden Abseilvorgänge, der Abseilhöhe oder der abzuseilenden Last verfügt: siehe Tabelle 2 in Kapitel 7-1.

⚠ GEFAHR: Wenn bei diesen Prüfungen eine Anomalie festgestellt wird, muss das Gerät außer Betrieb genommen werden, um jede Benutzung auszuschließen, und von einer geschulten und sachkundigen Person instand gesetzt werden (siehe Kapitel 10-1).

6.3. Anbringung des derope™-Geräts

6.3.1. Gerät derope™ STD und Gerät derope™ UP A

1. Den Anschlagpunkt für das derope™-Gerät identifizieren oder einrichten.
2. Sicherstellen, dass der Anschlagpunkt der Norm EN 795 entspricht oder eine Mindest-Tragfähigkeit von 10 kN (1 Tonne) aufweist.
3. Das derope™-Gerät mit Hilfe des oberen Karabinerhakens an dem für die Rettung vorgesehenen Anschlagpunkt über der zu rettenden Person befestigen.
4. Den Karabinerhaken verriegeln.
5. Das Kernmantelseil nach unten werfen und sicherstellen, dass es sich nicht verheddert, keine Knoten aufweist, nicht auf scharfen Kanten reibt und bis auf den Boden reicht.
6. Sicherstellen, dass sich keine Hindernisse auf dem Rettungsweg und im Zielbereich befinden. Beispiel: Stromkabel, Bewehrungsstahl, Glasflächen.

6.3.2. Gerät derope™ UP B (Abb.6)

1. Den großen verriegelbaren Adapter an der für die Rettung vorgesehenen Stelle über der zu rettenden Person an der Leitersprosse anbringen (Abb.6, 1).
2. Das Sicherungsgleitstück auf die Höhe der Sprosse bringen, die unmittelbar unter der Trägersprosse des großen Adapters liegt (Abb.6, 2).
3. Den Sicherungsbolzen des Gleitstücks mit Hilfe des Rändelknopfs an der Seite des Adapters festziehen (Abb.6, 3).
4. Das Halteseil anbringen:
 - Den Karabinerhaken der Einstellvorrichtung LCM 05 in der oberen Bohrung des Befestigungsbolzens befestigen (Abb.6, 4.1).
 - Das Halteseil um die über dem Adapter gelegene Sprosse und um einen der Leiterholme führen (Abb.6, 4.2).
 - Den Karabinerhaken des Halteseils am Karabinerhaken der Einstellvorrichtung LCM 05 befestigen (Abb.6, 4.3).
 - Das Halteseil durch Ziehen am Leertrum spannen (Abb.6, 4.4).
5. Das Kernmantelseil nach unten werfen und sicherstellen, dass es sich nicht verheddert, keine Knoten aufweist, nicht auf scharfen Kanten reibt und bis auf den Boden reicht.
6. Sicherstellen, dass sich keine Hindernisse auf dem Rettungsweg und im Zielbereich befinden. Beispiel: Stromkabel, Bewehrungsstahl, Glasflächen.

- Das derope™-Gerät nach Bedarf ausrichten, indem die Position des Befestigungsbolzens in der Positionierungsvorrichtung geändert wird (Abb.6, 7.1 - 7.2).

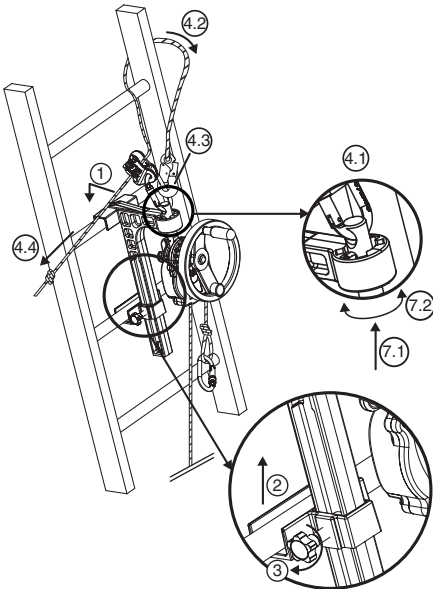


Abb. 6

6.3.3. Gerät derope™ UP K (Abb. 7)

- Den kleinen Adapter an der für die Rettung erforderlichen Stelle über der zu rettenden Person an der Leitersprosse anbringen (Abb.7, 1).
- Den Sicherungsbolzen an der Rückseite des kleinen Adapters mit Hilfe des Rändelknopfs festziehen (Abb.7, 2).
- Das Halteseil anbringen:
 - Den Karabinerhaken der Einstellvorrichtung LCM 05 in der oberen Bohrung des Befestigungsbolzens befestigen (Abb.7, 3.1).
 - Das Halteseil um die über dem Adapter gelegene Sprosse und um einen der Leiterholme führen (Abb.7, 3.2).
 - Den Karabinerhaken des Halteseils am Karabinerhaken der Einstellvorrichtung LCM 05 befestigen (Abb.7, 3.3).
 - Das Halteseil durch Ziehen am Leertrum spannen (Abb.7, 3.4).

⚠ GEFAHR: Es besteht Absturzgefahr bzw. die Gefahr tödlicher Unfälle, wenn das Halteseil nicht richtig angebracht wird.

- Das Kernmantelseil nach unten werfen und sicherstellen, dass es sich nicht verheddert, keine Knoten aufweist, nicht auf scharfen Kanten reibt und bis auf den Boden reicht.
- Sicherstellen, dass sich keine Hindernisse auf dem Rettungsweg und im Zielbereich befinden. Beispiel: Stromkabel, Bewehrungsstahl, Glasflächen.
- Das derope™-Gerät nach Bedarf ausrichten, indem die Position des Befestigungsbolzens in der Positionierungsvorrichtung geändert wird (Abb.7, 6.1 – 6.2).

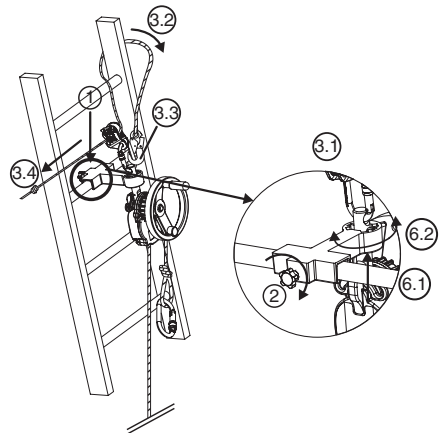


Abb. 7

6.3.4. Gerät derope™ UP R (Abb. 8, 9 und 10)

Das Gerät derope™ UP R muss gemäß Abb.8 an der Stütze des Dreibaums tracode von Tractel® angebracht werden. Jede andere Befestigung an einem anderen Punkt des Dreibaums tracode von Tractel® ist verboten.

Um ein Gerät derope™ UP R an einer der 3 Stützen des Dreibaums tracode benutzen zu können, muss dieser im oberen Teil mit einer Umlenkrolle ausgestattet sein, oder mit 2 Rollen, wenn ein anderes Gerät an demselben Dreibaum tracode benutzt wird (Höhensicherungsgerät mit automatischer Aufwicklung blocfor™ oder Seilwinde caRol™).

Wenn das Gerät derope™ UP R nicht auf dem Adapter für tracode von Tractel® installiert ist, gemäß den folgenden Anweisungen anbringen:

- Die Sicherungsschraube des Befestigungshakens des Adapters für Gerät derope™ UP R lösen (Abb. 8,1).
- Das Gerät derope™ UP R am Befestigungshaken anbringen (Abb.8, 2.1 - 2.2).
- Die Sicherungsschraube wieder festziehen, um zu vermeiden, dass sich das Gerät vom Adapter

löst (Abb.8, 3), und sicherstellen, dass sie ordnungsgemäß angebracht und festgezogen ist.

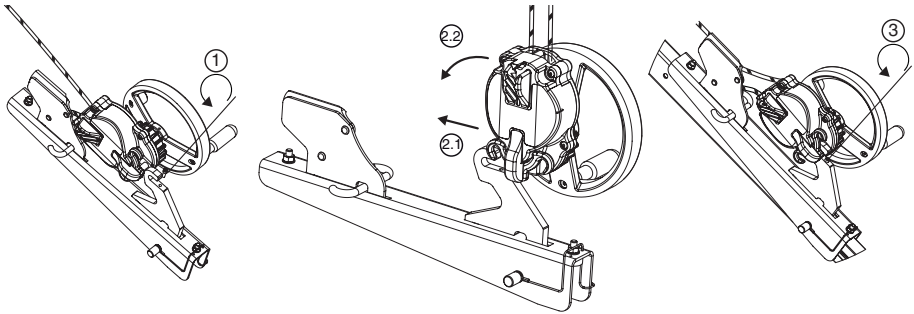


Abb. 8

Wenn das Gerät derope™ UP R auf dem Adapter für trapcode von Tractel® installiert ist.

1. Den Dreibaum trapcode von Tractel® geschlossen am Boden ablegen.
2. Die Stützen des Dreibaums trapcode von Tractel® auf die gewünschte Höhe einstellen: siehe die Gebrauchsanleitung des Dreibaums trapcode.
3. Die Stütze des Dreibaums trapcode von Tractel® wählen, die oben eine Umlenkrolle besitzt; an dieser Stütze den Verriegelungsbolzen entfernen.
4. Die Befestigungsbohrung des Adapters mit der Verriegelungsbohrung der Stütze des Dreibaums trapcode von Tractel® ausrichten.

WICHTIG: Auf die Einbaurichtung achten: die Kernmantelseilklemme muss zur Oberseite des Dreibaums trapcode weisen (Abb.9).

5. Den Befestigungsbolzen des Adapters für Gerät derope™ UP R anbringen. Der Befestigungsbolzen hat zwei Funktionen: Verriegelung der Stütze des Dreibaums trapcode und Befestigung des Adapters für Gerät derope™ UP R an der Stütze (Abb.9, 5).
6. Den Befestigungsbolzen mit dem Sicherungsstift verriegeln (Abb.9, 6).
7. Die 3 Stützen des Dreibaums trapcode vollständig aufklappen.
8. Den Steckbolzen über der Umlenkrolle oben am Dreibaum trapcode entfernen (Abb. 10, 8).
9. Das Kernmantelseil des derope™-Geräts um die Umlenkrolle führen (Abb.10, 9).
10. Den Steckbolzen wieder anbringen, um zu verhindern, dass das Kernmantelseil von der Umlenkrolle springt (Abb. 10, 10).

11. Die Schotklemme des Adapters öffnen (Abb.9, 11).
12. Das aus dem derope™-Gerät austretende Kernmantelseil in die Schotklemme des Adapters einführen (Abb.9, 12).
13. Das Kernmantelseil nach unten werfen und sicherstellen, dass es sich nicht verheddert, keine Knoten aufweist, nicht auf scharfen Kanten reibt und bis auf den Boden reicht.
14. Die Schotklemme schließen (Abb.9, 14).
15. Sicherstellen, dass sich keine Hindernisse auf dem Rettungsweg und im Zielbereich befinden. Beispiel: Stromkabel, Bewehrungsstahl, Glasflächen.

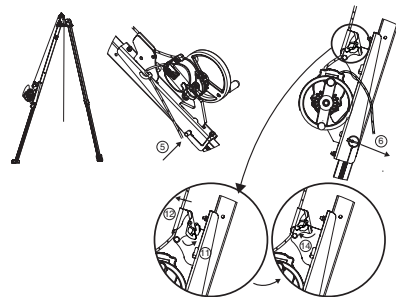


Abb. 9

7. Benutzung

7.1. Benutzungsvorschriften und Einsatzgrenzen des derope™-Geräts

⚠ GEFAHR: Die derope™-Geräte können bei Arbeiten in der Höhe benutzt werden. In diesem Zusammenhang wird ausdrücklich darauf hingewiesen, dass Arbeiten in der Höhe den folgenden Bestimmungen unterliegen.

- Die Personen, die Arbeiten in der Höhe ausführen, müssen in ausgezeichneter körperlicher und psychischer Verfassung sein.
- Die Personen, die Arbeiten in der Höhe ausführen, müssen eine spezielle Schulung erhalten.
- Die Arbeiten in der Höhe sind für schwangere Frauen verboten.
- Vor der Durchführung von Arbeiten in der Höhe muss ein Rettungsplan erstellt werden.

Bei einem aktiven Abseilen dürfen die derope™-Geräte nur von geschulten und sachkundigen Personen oder unter der Aufsicht einer befugten Person benutzt werden.

Bei einem passiven Abseilen dürfen die Rettungsmaßnahmen nur von entsprechend geschulten und befugten Personen durchgeführt werden.

Die Benutzungsvorschriften der unterschiedlichen derope™-Gerätemodelle sind in der folgenden Tabelle aufgeführt.

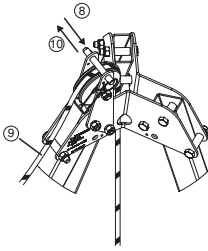


Abb. 10

6.3.5. derope™ UP mit einem Bohrschrauber

⚠ GEFAHR:

- Vor der Anbringung des Bohrschraubers am Ende der Achse des Handrads des Geräts derope™ UP R sicherstellen, dass der ausklappbare Griff des Handrads eingeklappt ist.
- Das Spannfutter des Bohrschraubers auf dem Sechskant am Ende der Achse des Handrads platzieren.
- Das Spannfutter auf der Achse mit dem Sechskant festziehen.

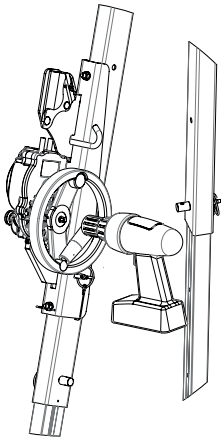


Abb. 11

Benutzung	derope™ STD	derope™ STD	derope™ UP B	derope™ UP K	derope™ UP R
Aktives vertikales Abseilen	Ja	Ja	Ja (*)	Ja (*)	Nein
Aktives Abseilen in der Schrägen	Ja	Ja	Nein	Nein	Nein
Passives Abseilen	(***)	Ja	Ja (*)	Ja (*)	Ja (**)

*: nur Benutzung auf Leiter

** : Benutzung auf Dreibaum tracpode von Tractel® über einer Öffnung wie z.B. Brunnenschacht, Silo, usw.

***: Nein bei Benutzung eines derope™-Geräts allein, ja bei Benutzung eines derope™-Geräts mit einem Rettungshubgerät, mit dem die zu rettende Person angehoben werden kann, um das Auffangsystem zu entlasten.

⚠ GEFAHR: Beim Abseilen wird die Benutzung des derope™-Geräts hinsichtlich der Last, der Abseilhöhe und der Anzahl der wiederholten Abseilvorgänge begrenzt.

Bei einem einmaligen Abseilvorgang:

– Die maximale Last beträgt 225 kg bei einer maximalen Abseilhöhe von 200 m.

– Die maximale Abseilhöhe beträgt 400 m bei einer maximalen Last von 150 kg.

Bei wiederholten Abseilvorgängen wird die Benutzung des derope™-Geräts hinsichtlich der Last, der Abseilhöhe und der Anzahl der wiederholten Abseilvorgänge gemäß den Grenzwerten der folgenden Tabelle begrenzt.

Abseilhöhe		Maximale Anzahl wiederholter Abseilvorgänge			
		< 50 m	< 125 m	< 200 m	< 400 m
Betriebslast	60	60	24	15	7
	20	20	8	5	2
	6	6	2	1	Verboten

⚠ GEFAHR: Nach jeder Benutzung zum einmaligen oder wiederholten Abseilen muss das derope™-Gerät von einer entsprechend geschulten und sachkundigen Person geprüft werden.

⚠ GEFAHR: Die kumulierte Abseilhöhe muss überwacht werden. Wenn die kumulierte Abseilhöhe die in der Tabelle von Kapitel 10-1 angegebenen Grenzwerte übersteigt, muss das Gerät ungeachtet der für diese Überschreitung erforderlichen Zeit einer Überprüfung gemäß Kapitel 10-1 unterzogen werden, die von einer entsprechend geschulten und sachkundigen Person durchzuführen ist.

Das Gerät kann von -35°C bis +50°C benutzt werden.

⚠ GEFAHR: Für einen Einsatz bei Minustemperaturen (-35°C bis 0°C) muss das Gerät einschließlich Kernmantelseil trocken sein.

⚠ GEFAHR: Die Person, die ein derope™-Gerät benutzt, muss mehr als 30 kg wiegen.

⚠ GEFAHR: Um die Gefahr von Verbrennungen zu vermeiden ist es verboten, das derope™-Gerät während des Betriebs und vor der Abkühlung zu berühren.

7.2. Aktives vertikales Abseilen

Dieser Rettungstyp muss mit dem Gerät derope™ STD, Gerät derope™ UP A, Gerät derope™ UP B oder Gerät derope™ UP K durchgeführt werden, wobei die beiden letztgenannten Modelle an einer Leiter zu befestigen sind.

Die zu rettende Person muss mit einem Auffanggurt (EN 361), einem Rettungsgurt (EN 1497) oder einer Rettungsschleufe (EN 1498 Klasse A oder B) ausgerüstet sein.

Bei einem aktiven vertikalen Abseilen darf sich die Person nicht mehr als 20° von der Vertikalen entfernen, um ein übermäßiges Schaukeln zu vermeiden.

- Nach der Installation des derope™-Geräts gemäß den Anweisungen von Kapitel 6 wie folgt vorgehen.
- Die zu rettende Person oder sich selbst mit dem Karabinerhaken des Abfahrseils des derope™-Geräts anschlagen an:
 - einer Auffangöse des Auffanggurts EN 361: diese Ösen tragen die Kennzeichnung A, wenn sie allein benutzt werden können, oder die Kennzeichnung A/2, wenn sie gemeinsam mit einer anderen Auffangöse A/2 benutzt werden müssen.
 - einer Rettungsöse des Rettungsgurts EN 1497 oder der Rettungsschleufe EN 1498 Klasse A oder B, die durch ein Etikett in der Nähe der Öse gekennzeichnet sind.
- Am Leertrum des Kernmantelseils ziehen, um das Abfahrseil zu spannen.
- Das Leertrum des Kernmantelseils durch die Kernmantelseilführung und die Schotklemme führen.
- Gegebenenfalls sicherstellen, dass der Griff des Handrads des Geräts derope™ UP eingeklappt ist.
- Die zu rettende Person über den Abgrund bringen: sie bewegt sich nicht nach unten, da das Kernmantelseil durch die Schotklemme blockiert wird.
- Das Abseilen beginnen, indem das Leertrum des Kernmantelseils aus der Schotklemme gelöst wird.
- Die Person vom Seil lösen, sobald sie den Boden erreicht.
- Der Karabinerhaken des Leertrums hat sich während der Rettung zum derope™-Gerät nach

oben bewegt, und wenn eine weitere Person zu retten ist, die Punkte 1 bis 7 wiederholen.

10. Bei wiederholten Abseilvorgängen die maximale Anzahl der Abseilvorgänge gemäß der Tabelle in Kapitel 7.1 beachten.

7.3. Aktives Abseilen in der Schrägen (Abb. 12)

Dieser Rettungstyp muss mit dem Gerät derope™ STD oder Gerät derope™ UP A durchgeführt werden.

Der Ort, an dem sich die zu rettende Person befindet, muss mit einem gespannten Stahl- oder sonstigen Seil ausgestattet sein, das einen Winkel von 30° bis 60° gegenüber der Vertikalen aufweist. Eine Doppelseilrolle in Reihe mit einer Mehrfach-Anschlagplatte muss oben am Seil angebracht werden.

Die zu rettende Person muss mit einem Auffanggurt ausgerüstet sein, der aus Bequemlichkeitsgründen möglichst eine Auffangöse im Brustbereich (EN 361), einen Rettungsgurt (EN 1497) oder eine Rettungsschleufe (EN 1498 Klasse B) enthalten sollte.

1. Nach der Installation des derope™-Geräts gemäß den Anweisungen von Kapitel 6, das Abfahrseil des derope™-Geräts an der Mehrfach-Anschlagplatte der Doppelseilrolle in Reihe anschlagen.
2. Ein Verbindungsmittel mit 2 Karabinerhaken anbringen zwischen der Anschlagplatte der Doppelseilrolle in Reihe und:
 - einer Auffangöse des Auffanggurts EN 361. Diese Ösen tragen die Kennzeichnung A, wenn sie allein benutzt werden können, oder die Kennzeichnung A/2, wenn sie gemeinsam mit einer anderen Auffangöse A/2 benutzt werden müssen.
 - einer Rettungsöse des Rettungsgurts EN 1497 oder der Rettungsschleufe EN 1498 Klasse B, die durch ein Etikett in der Nähe der Öse gekennzeichnet ist.
3. Am Leertrum des derope™-Geräts ziehen, um das Abfahrseil zu spannen.
4. Das Leertrum des Kernmantelseils durch die Kernmantelseilführung und die Schotklemme führen.
5. Sicherstellen, dass der Griff des Handrads des Geräts derope™ UP eingeklappt ist.
6. Sich entlang des gespannten Stahl- oder sonstigen Seils gleiten lassen.
7. Das Abseilen beginnen, indem das Leertrum aus der Schotklemme gelöst wird.
8. Die Person und die Doppelseilrolle in Reihe vom Seil lösen, sobald sie den Boden erreicht.
9. Der Karabinerhaken des Leertrums hat sich während der Rettung zum derope™-Gerät nach

oben bewegt, und wenn eine weitere Person zu retten ist, die Punkte 1 bis 8 wiederholen.

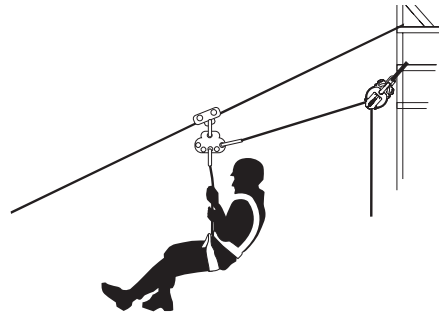


Abb. 12

7.4. Passives Abseilen einer Person

HINWEIS: Das vorliegende Kapitel stellt in keinem Fall eine Rettungsanleitung dar. Der Zweck ist vielmehr die Beschreibung der ordnungsgemäßen Benutzung der derope™-Geräte anhand eines Beispiels.

Alle Rettungsmaßnahmen dürfen ausschließlich von einer speziell dafür geschulten und befugten Person durchgeführt werden.

Vor der Durchführung von Rettungsmaßnahmen muss ein Rettungsdienst angefordert werden.

Während des gesamten Abseilvorgangs muss der Retter mit der zu rettenden Person in Sichtkontakt bleiben, um im Bedarfsfall reagieren zu können.

Die in diesem Kapitel beschriebenen Rettungsmaßnahmen werden mit einem Gerät derope™ UP mit Rettungshubeinrichtung mit Handrad an Personen durchgeführt, die mit einem Auffangsystem ausgerüstet sind. Nach Möglichkeit sollte der Retter sich im Bereich der zu rettenden Person befinden. Falls dies unmöglich ist, hält sich der Retter im Bereich des Anschlagpunkts des Auffangsystems der zu rettenden Person auf.

Im folgenden Beispiel ist die zu rettende Person mit einem Auffangsystem ausgerüstet und gerade abgestürzt. Der Retter befindet sich in Kontakt mit der zu rettenden Person.

1. Nach dem Aufsuchen der zu rettenden Person und nach der Installation des derope™-Geräts gemäß den Anweisungen von Kapitel 6, die zu rettende Person mit dem Karabinerhaken des Abfahrseils des derope™-Geräts anschlagen an:
 - einer Auffangöse des Auffanggurts EN 361: diese Ösen tragen die Kennzeichnung A, wenn sie allein benutzt werden können, oder die Kennzeichnung A/2, wenn sie gemeinsam mit einer anderen Auffangöse A/2 benutzt werden müssen.
 - einer Rettungsöse des Rettungsgurts EN 1497 oder der Rettungsschleufe EN 1498 Klasse

B, die durch ein Etikett in der Nähe der Öse gekennzeichnet sind.

2. Mit Hilfe des Handrads die zu rettende Person anheben, um das Auffangsystem zu entlasten.
3. Das Leertrum des Kernmantelseils durch die Kernmantelseilführung und die Schotklemme führen.
4. Den Griff des Handrads des Geräts derope™ UP einklappen.
5. Die zu rettende Person im Bereich der Auffangöse von ihrem Auffangsystem trennen.
6. Das Abseilen beginnen, indem das Leertrum aus der Schotklemme gelöst wird.

7.5. Anheben einer Person

Bei der Benutzung des Geräts derope™ UP R auf dem Adapter des Dreibaums trapcode von Tractel® ist es möglich, eine Person anzuheben:

- entweder durch manuelle Betätigung des Handrads,
- oder mit Hilfe eines Bohrschraubers.

⚠ GEFAHR: Der ausklappbare Griff muss unbedingt vor der Benutzung eines Bohrschraubers zur Betätigung des Geräts derope™ UP R eingeklappt werden.

⚠ GEFAHR: Beim Anheben einer Person muss der Bohrschrauber unbedingt mit beiden Händen festgehalten werden.

⚠ GEFAHR: Der Bohrschrauber darf solange nicht losgelassen werden, wie die zu rettende Person am Gerät derope™ UP R hängt.

8. Verbotene fehlerhafte Anwendungen

Folgendes ist streng verboten:

1. Installation oder Benutzung eines derope™-Geräts ohne die entsprechende Befugnis, Schulung und anerkannte Sachkenntnis bzw. ohne unter der Verantwortung einer befugten, geschulten und als sachkundig anerkannten Person zu stehen.
2. Benutzung eines derope™-Geräts, wenn eine der Kennzeichnungen auf dem Gerät fehlt oder nicht lesbar ist.
3. Installation oder Benutzung eines derope™-Geräts, das nicht den vorherigen Prüfungen unterzogen wurde (siehe Kapitel 6-2).
4. Benutzung eines derope™-Geräts, das in den vergangenen 12 Monaten nicht der regelmäßigen Prüfung durch einen Techniker unterzogen wurde, der die erneute Benutzung schriftlich genehmigt hat (siehe Kapitel 10-1).
5. Benutzung eines derope™-Geräts außerhalb von Maßnahmen zur Rettung oder Bergung von Personen.
6. Benutzung eines anderen Kernmantelseils als dem Kernmantelseil Tractel S.A.S für derope™-Geräte.
7. Befestigung eines derope™-Geräts an einem Anschlagpunkt, der nicht die Forderungen der Norm EN 795 erfüllt. Der Anschlagpunkt muss eine Mindest-Tragfähigkeit von 10 kN aufweisen.
8. Anschlagen eines derope™-Geräts mit anderen als den von Tractel S.A.S vorgesehenen Anschlageinrichtungen.
9. Installation eines derope™-Geräts, ohne dass es sich über der zu rettenden Person befindet.
10. Benutzung eines derope™-Geräts, ohne zuvor den verfügbaren Platz um die zu rettende Person während der Auf- oder Abwärtsbewegung zu prüfen.
11. Benutzung der Geräte derope™ UP B und UP K, ohne das Halteseil anzubringen.
12. Benutzung eines Geräts derope™ UP R auf einem anderen Dreibaum als dem Dreibaum trapcode von Tractel S.A.S.
13. Benutzung eines derope™-Geräts nach der Überschreitung der von Tractel S.A.S vorgesehenen Lebensdauer.
14. Benutzung eines derope™-Geräts über die maximale Abseillast oder maximale Abseilhöhe hinaus.
15. Benutzung eines derope™-Geräts durch eine Person mit einem Gewicht unter 30 kg.
16. Benutzung eines derope™-Geräts zu wiederholten Abseilvorgängen über die maximal zulässige Anzahl der Abseilvorgänge hinaus.
17. Benutzung eines derope™-Geräts im Rahmen eines Auffangsystems gemäß der Norm EN 363.
18. Benutzung eines derope™-Geräts als Aufhängemittel zur Arbeitsplatzpositionierung.
19. Benutzung eines derope™-Geräts in explosionsgefährdeten Bereichen.
20. Ein derope™-Gerät oder Kernmantelseil einer Wärmequelle oder direkten Lichtquelle aussetzen.
21. Benutzung eines derope™-Geräts oder Kernmantelseils außerhalb des Temperaturbereichs -35°C bis +50°C.
22. Ein derope™-Gerät oder Kernmantelseil mit aggressiven Chemikalien und scheuernden oder scharfen Flächen in Kontakt bringen.

23. Benutzung des derope™-Geräts, wenn das Ende des Kernmantelseils nicht bis zum Boden reicht.
24. Behinderung der automatischen Ausrichtung des derope™-Geräts gegenüber dem Kernmantelseil.
25. Behinderung der Drehung des Handrads der Geräte derope™ UP A, B, K oder R.
26. Einführen eines beliebigen Gegenstands in die Kernmantelseil-Durchlässe eines derope™-Geräts.
27. Öffnen eines derope™-Geräts, Schmierung oder Änderung des Geräts.
28. Reparatur eines derope™-Geräts ohne entsprechende Schulung und schriftliche Befugnis durch Tractel S.A.S.
29. Berühren des derope™-Geräts ohne ausreichende Abkühlung nach der Benutzung.
30. Benutzung des Geräts derope™ UP R auf dem Adapter des Dreibaums trapode von Tractel® mit einem Bohrschrauber, wenn der ausklappbare Griff des Handrads nicht eingeklappt ist.
31. Benutzung des Geräts derope™ UP R auf dem Adapter des Dreibaums trapode von Tractel® mit einem Bohrschrauber, wenn der Benutzer den Bohrschrauber nicht mit beiden Händen festhält.
32. Loslassen des Bohrschraubers, wenn er am Ende der Achse des Geräts derope™ UP R angebracht ist, während eine Person daran hängt.

9. Transport und Lagerung

Die in dieser Anleitung beschriebenen Ausrüstungen sollten immer in ihrer Originalverpackung transportiert und gelagert werden. Während der Lagerung und/oder des Transports müssen die Ausrüstungen:

1. Trocken gelagert werden,
2. Bei einer Temperatur von -35°C bis +50°C gelagert werden,
3. Gegen direkte Wärmequellen und UV-Strahlung geschützt werden,
4. Gegen chemische, mechanische und sonstige Aggressionen geschützt werden.

10. Regelmäßige Prüfung

Eine regelmäßige jährliche Prüfung ist obligatorisch, aber je nach Benutzungshäufigkeit, Umweltbedingungen und Vorschriften des Unternehmens oder Einsatzlandes können die regelmäßigen Prüfungen häufiger notwendig sein.

Die regelmäßigen Prüfungen müssen von einem befugten Fachtechniker gemäß den Prüfverfahren des

Herstellers durchgeführt werden, die sich in der Datei „PSA-Prüfungsanleitung von Tractel®“ finden.

Die Prüfung der Lesbarkeit der Kennzeichnung auf dem Produkt ist fester Bestandteil der regelmäßigen Prüfung.

Nach Abschluss der regelmäßigen Prüfung muss die Wiederinbetriebnahme durch den befugten Fachtechniker, der die regelmäßige Prüfung durchgeführt hat, schriftlich mitgeteilt werden. Diese Wiederinbetriebnahme des Produkts muss auf der Kontrollkarte in der Mitte dieser Anleitung festgehalten werden. Diese Kontrollkarte muss während der gesamten Lebensdauer des Produkts bis zu seiner Außerbetriebnahme aufbewahrt werden.

Nachdem es einen Absturz aufgefangen hat, muss dieses Produkt obligatorisch einer in diesem Abschnitt beschriebenen regelmäßigen Prüfung unterzogen werden. Die eventuellen Textilbestandteile des Produkts müssen obligatorisch ausgetauscht werden, selbst wenn sie keine sichtbare Beschädigung aufweisen.

10.1. Überprüfung des Geräts

! **GEFAHR:** Die Überprüfung des Geräts ist in folgenden Fällen obligatorisch:

1. Wenn bei einer jährlichen oder sonstigen Prüfung eine Anomalie festgestellt wird, oder wenn eine Funktionsstörung oder ein schlechter Zustand festgestellt wird.
2. Wenn die Summe der Abseilhöhen den in der folgenden Tabelle angegebenen Grenzwert erreicht, unabhängig von der dafür erforderlichen Zeit.

Höchstwert der kumulierten Abseilhöhen, ab dem die Überprüfung des Geräts und der Austausch des Kernmantelseils obligatorisch wird.		
Last	Unter 100 kg	3000 m
	Über 100 kg und unter 150 kg	1000 m
	Über 150 kg und unter 225 kg	300 m

Die Überprüfung des Geräts darf ausschließlich von einer hinsichtlich der Durchführung der Wartung geschulten und sachkundigen Person, von Tractel® oder einem zugelassenen Sachkundigen durchgeführt werden.

Es ist obligatorisch, das Kernmantelseil auszutauschen, sobald das Gerät die in der Tabelle oben angegebenen kumulierten Höhen erreicht.

11. Lebensdauer

Die textilen PSA von Tractel® wie Auffanggurte, Verbindungsmittel, Seile und Falldämpfer, die mechanischen PSA von Tractel® wie stopcable™-Steigschutzrichtungen und stopfor™-Auffanggeräte, die automatischen blocfor™-Höhensicherungsgeräte

und die Laufsicherungen von Tractel® dürfen nur benutzt werden, wenn ab dem Herstellungsdatum Folgendes gewährleistet wird:

- normale Benutzung unter Einhaltung der Benutzungsvorschriften dieser Anleitung.
- regelmäßige Prüfung wenigstens 1 Mal jährlich durch einen befugten Fachtechniker. Nach Abschluss der regelmäßigen Prüfung muss die Wiederinbetriebnahme der PSA schriftlich genehmigt werden.
- strenge Einhaltung der in dieser Anleitung aufgeführten Lager- und Transportbedingungen.

12. Ausmusterung

Bei der Ausmusterung des Produkts müssen die einzelnen Bauteile durch Trennung der metallischen und synthetischen Werkstoffe recycelt werden. Diese Werkstoffe müssen von einem Fachunternehmen recycelt werden. Bei der Ausmusterung muss die Demontage der Bauteile von einer sachkundigen Person durchgeführt werden.

13. Kennzeichnung des Produkts

13.1. Kennzeichnung des derope™-Abseilgeräts

Die Etiketten der derope™-Geräte sind auf den Abbildungen 13a, 13b und 13c dargestellt. Sie enthalten folgende Angaben:

- a: die Handelsmarke: Tractel®.
- b: die Produktbezeichnung.
- c: die Bezugsnorm gefolgt vom Anwendungsjahr.
- d: die Produktreferenz: z.B. 010042.
- e: das CE-Logo gefolgt von der Nummer der nach Artikel 11 B gemeldeten Stelle zur Produktionsüberwachung 0082.
- f: Herstellungsjahr und -woche.
- g: die Seriennummer.
- h: ein Piktogramm, das anzeigt, dass vor der Benutzung die Anleitung gelesen werden muss.
- i: Sicht- und Funktionsprüfung vor der Benutzung.
- j: Durchmesser des Tractel®-Kernmantelseils.
- k: Betriebstemperaturbereich.
- l: maximale Lasten und maximale Abseillängen.
- m: das Kernmantelseil nicht auf einer scharfen Kante reiben lassen.
- n: Benutzung für eine einfache Rettung.
- o: Benutzung für eine Rettung in der Schrägen.
- p: Benutzung für eine einfache Rettung und Bergung.

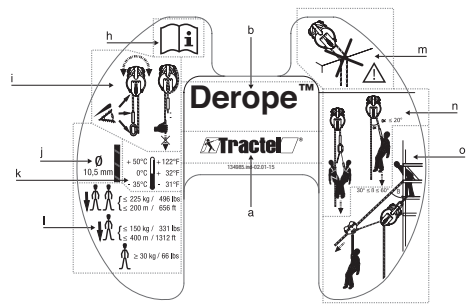


Abb. 13a

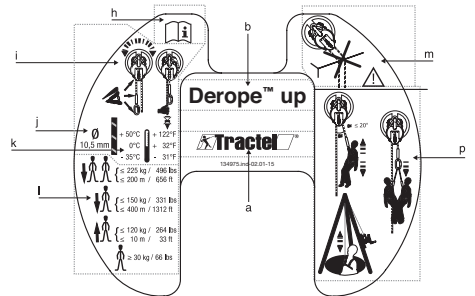


Abb. 13b

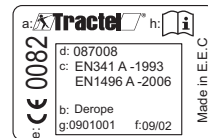



Abb. 13c

13.2. Kennzeichnung des Kernmantelseils

Das Etikett der Kernmantelseile für derope™-Abseilgeräte ist auf der Abbildung 14 dargestellt. Es enthält folgende Angaben:

- a: die Handelsmarke: Tractel®.
- y: Standardlänge des Kernmantelseils.
- z: Sonderlänge des Kernmantelseils.

a:  **Tractel**®

y:

10 m	60 m	
20 m	70 m	
30 m	80 m	
40 m	90 m	
50 m	100 m	

z:

m

Abb. 14

Inhoudsopgave

1. Voorafgaande instructies.....	48
2. Definities en pictogrammen.....	49
3. Voorstelling van het toestel	51
4. Functie en beschrijving.....	52
5. Verenigbare producten	53
6. Installatie	53
7. Gebruik.....	57
8. Verboden en fout gebruik	60
9. Transport en opslag.....	61
10. Periodieke controle.....	61
11. Levensduur.....	62
12. Wegwerpprocedure	62
13. Markering van het product.....	62

Voorafgaande opmerking:

Om de constante verbetering van haar producten te garanderen, behoudt Tractel® zich het recht aan de in deze handleiding beschreven producten de nodig geachte wijzigingen aan te brengen, ongeacht het moment.

De bedrijven van de Tractel® groep en de erkende verdelers zullen u op aanvraag alle documentatie verschaffen omtrent de andere Tractel® producten. Trek- en hijstoestellen en hun toebehoren, materiaal voor toegang tot de werf en gevelstructuren, veiligheidsinrichtingen voor lasten, elektronische lastindicators, enz...

Het Tractel® netwerk kan de klantendienst en het periodiek onderhoud garanderen.

1. Voorafgaande instructies

1. Het is verplicht, voor de veiligheid van de installatie, het gebruik van het materiaal en de doeltreffendheid ervan, van deze handleiding kennis te nemen en de aanwijzingen ervan strikt na te leven, vóór het gebruik van dit soort materiaal.
2. Deze handleiding moet aan de gebruiker van het derope™-toestel overhandigd worden en ter beschikking van alle operators-hulpverleners bewaard worden. Bijkomende exemplaren kunnen op aanvraag door Tractel S.A.S geleverd worden.
3. Het gebruik, het onderhoud en het beheer van het derope™-toestel zijn de verantwoordelijkheid van personen die de veiligheidsregels en van de kracht zijnde normen van dit soort materiaal en de bijbehorende uitrustingen kennen en

deze weten te doen respecteren. Elke gebruiker moet deze handleiding gelezen en begrepen hebben. Hij moet de compatibiliteit van de ermee gebruikte Persoonlijke beschermingen onderling en met het derope™-toestel controleren. De eerste inbedrijfstelling van het derope™-toestel moet onderwerp uitmaken van een controle door een bevoegde technicus omtrent de conformiteit van het toestel met de aanbevolen controles die in deze handleiding beschreven zijn.

4. Als u het gebruik van het derope™-toestel moet toevertrouwen aan een werknemer of gelijkaardig persoon, respecteer dan de van kracht zijnde wetgeving.
5. Alle personen die het derope™-toestel gebruiken, moeten over de fysieke en professionele eigenschappen beschikken voor werken in de hoogte en het uitvoeren van reddingsoperaties. Raadpleeg, bij twijfels, uw dokter of de bedrijfsarts. Deze persoon moet, onder veilige omstandigheden, op voorhand een aangepaste theoretische en praktische opleiding gevolgd hebben, met het gebruik van de Persoonlijke Beschermingen, conform de veiligheidseisen. Deze opleiding moet een volledige informatie verstrekken omtrent de hoofdstukken van deze handleiding inzake het gebruik. Het gebruik van dit toestel is verboden voor zwangere vrouwen.
6. Het derope™-toestel mag uitsluitend gebruikt worden voor de evacuatie of de redding van personen, conform de in deze handleiding beschreven aanwijzingen. Geen enkel ander gebruik is toegestaan. In het bijzonder, het toestel mag nooit gebruikt worden als ophangstelsysteem of als onderdeel van een valbeveiligingssysteem in de zin van de norm EN 363.
7. Vóór elk gebruik van het toestel is het nodig de aanwezigheid en de leesbaarheid van de markeringen op het toestel te controleren. Contacteer Tractel S.A.S of een verdeler voor meer inlichtingen.
8. Het gebruik van het derope™-toestel vereist het gebruik en het aansluiten van Persoonlijke beschermingen of reddingssystemen. Een valbeveiliging (EN 361), een reddingsharnas (EN 1497), een reddingsriem (EN 1498 klasse A of klasse B) zijn de enige lichaamsbeveiligingen die men mag aanbrengen op de te redden persoon, tijdens een reddingsoperatie waarbij deze persoon op het derope™-toestel gekoppeld wordt.
9. Elk verankerpunt waarop het derope™-toestel bevestigd wordt, moet voldoen aan de eisen van de norm EN 795 of, bij gebreke, een trekweerstand van minstens 10 kN (1 ton) hebben.

10. Raadpleeg Tractel S.A.S op voorhand voor een gebruik in een omgeving met bijzondere risico's, met name, en deze lijst is niet-exhaustief: corrosieve omgevingen of die een chemisch risico voorstellen, explosieve omgevingen, omgevingen met elektrische risico's, bestralingsrisico's, enz...
11. Vóór elk gebruik dient de operator-hulpverlener het derope™-toestel visueel te controleren om zich ervan te verzekeren dat het in goede staat verkeert, dat dit ook het geval is van de geassocieerde Persoonlijke Beschermingen en dat deze compatibel zijn en correct geplaatst en gekoppeld zijn, conform de aanbevelingen van hun respectievelijke handleidingen.
12. Alvorens de in deze handleiding beschreven uitrustingen te gebruiken, is het noodzakelijk te controleren of geen enkel voorwerp het traject van de evacuatie hindert en of er geen risico's bestaan op contact met gevaarlijke voorwerpen.
13. Vóór het gebruik van dit toestel, is het noodzakelijk het reddingsplan, opgesteld door de verantwoordelijke van de site, te raadplegen.
14. Tractel® raadt aan elke operator-hulpverlener met een communicatiemiddel uit te rusten waarmee men een noodoproep kan lanceren in geval van ongevallen.
15. In een valbeveiligingssysteem is het belangrijk de vrije hoogte onder de operator-hulpverlener op de werkplaats vóór elk gebruik te controleren zodanig dat, bij een val, er geen risico bestaat op aanrakingen met de grond of de aanwezigheid van een obstakel op het valtraject. De doorgangshoogte moet voldoende zijn.
16. De in deze handleiding beschreven uitrustingen zijn geschikt voor een gebruik aan temperaturen tussen -35°C en 50°C. Bij negatieve temperaturen (van -35°C tot 0°C) is het verplicht te controleren of de uitrusting droog is, de streng inbegrepen.
17. Bij het gebruik van in deze handleiding beschreven uitrustingen is het verplicht de volgende elementen te respecteren, conform § 7-1:
- De maximale last.
 - De minimale last van 30 kg.
 - De maximale daalhoogte.
 - Het aantal herhaalde dalingen.
 - De gecumuleerde hoogte van de dalingen.
18. Als de gecumuleerde hoogte van de dalingen de aangegeven beperkingen bereikt, is het verplicht het toestel te laten controleren (zie § 10-1).
19. Het derope™-toestel moet verplicht gebruikt worden met de driepoot trapcode van Tractel®. Het gelijkaardig gebruik met een driepoot van andere herkomst is verboden.
20. Na elk gebruik van het derope™-toestel moet deze én alle desbetreffende Persoonlijke Beschermingen verplicht gecontroleerd worden alvorens deze opnieuw in gebruik te stellen. Deze controle moet conform de aanwijzingen van deze handleiding uitgevoerd worden door een bevoegde technicus die het hergebruik ervan schriftelijk toestaat. Bij visuele vaststelling van een defect of bij twijfels omtrent het derope™-toestel of één van de gekoppelde Persoonlijke Beschermingen moet deze uitrusting ter zijde gelegd worden om het gebruik ervan te verhinderen totdat het opnieuw in staat gesteld wordt en waarna het gebruik ervan schriftelijk door een bevoegde en opgeleide technicus goedgekeurd moet worden. Stuur elk derope™-toestel met beschadigingen of twijfelachtig materiaal terug naar Tractel S.A.S of naar de verdeler.
21. Een periodieke controle van het derope™-toestel en van de bijbehorende Persoonlijke Beschermingen moeten minstens één keer over een periode van 12 maanden georganiseerd worden onder de leiding van een bevoegde technicus die hiervoor opgeleid werd en die het hergebruik ervan schriftelijk zal goedkeuren. Deze opleiding kan door Tractel S.A.S verschaft worden. Deze controle moet geleid worden, conform de Richtlijn 89/656/CEE en de voorschriften van deze handleiding en volgens de handleiding voor onderhoud.
22. Tractel S.A.S wijst alle verantwoordelijkheid af voor gevolgen van een demontage van het derope™-toestel of voor wijzigingen aangebracht buiten haar controle, in het bijzonder, in het geval van het vervangen van de val door een niet-bevoegd erkende persoon.
23. Om reddingsoperaties en evacuatieprocedures in alle veiligheid te garanderen, als het derope™-toestel buiten het eerste land van bestemming verkocht werd, moet de verkoper deze instructiehandleiding in de taal van het land van gebruik van het derope™-toestel verschaffen.


2. Definities en pictogrammen

2.1. Definities

- **Neerlaatinstallatie:** reddingssysteem waarmee een persoon neergelaten kan worden van een plaats in de hoogte op de grond, aan een gecontroleerde snelheid, met of zonder hulp van een redder. Het toestel is conform de norm EN 341.
- **Gebruiker:** Persoon of verantwoordelijke dienst van het beheer en de gebruiksveiligheid van het product beschreven in deze handleiding. (niet verwarren met "operator", zelfs al kan dit één en dezelfde persoon zijn). De notie "gebruiker" staat niet gelijk met "klant" of "operator".

- **Technicus:** Bevoegd persoon, belast met de beschreven onderhoudswerken en door de handleiding toegestaan aan de gebruiker, die competent en bekend is met het product.
- **Connector:** koppellement tussen de samenstellende onderdelen van valbeveiligingsystemen. Het is conform de norm EN 362.
- **Streng:** koord met een interne multifilament lichaam en een externe cilindervormige huls.
- **Verankerung:** bevestigingssysteem van een valbeveiliging met een minimale weerstand van 10 kN (1 ton). Het is conform de norm EN 795.
- **Veiligheidstouw:** verbindingselement tussen het verankerpunt en een te beveiligen systeem.
- **Stopper:** blokkeersysteem voor de streng.
- **Geleiding streng:** terugloopsysteem van de streng.
- **Console:** bevestigingssysteem van de neerlaatinstallatie voor een ladder of een driepoot.
- **Ophangpunt reddingoperatie:** specifiek verbindingspunt op een harnas of een reddingsriem voor het ophangen van de redding- of evacuatiesystemen.
- **Handwiel:** handwiel waarmee het derope™-toestel van het type UP is uitgerust en waarmee men een persoon enkele meters kan tillen.
- **Valharnas:** lichaamsbescherming bestemd om vallen te stoppen. Deze bescherming bestaat uit riemen en lussen. Hij bevat verankerpunten gemarkeerd met een A als ze alleen gebruikt kunnen worden, of, gemarkeerd met A/2 als ze gebruikt moeten worden in combinatie met een ander punt A/2. De uitrusting is conform de norm EN 361.
- **Veiligheidsharnas / reddingsriem:** uitrustingen ter bescherming van het lichaam bestemd om een te evacueren persoon in een bepaalde positie te houden tijdens een reddingsoperatie. Deze zijn conform de normen EN 1497 en EN 1498.
- **Drievoet voor manoeuvres:** drievoet waarvan de 3 poten in de hoogte verstelbaar zijn en die uitgerust zijn met een verankerpunt. Hij is conform de norm EN 795 klasse B.
- **Vrijwillige evacuatie:** de persoon evacueert alleen of met de assistentie van een bevoegde persoon van een plaats in de hoogte naar de grond.
- **Reddingsevacuatie:** de te redden persoon wordt geëvacueerd door een redder.
- **Plaat multi-verankerung:** Deze plaat maakt het mogelijk meerdere connectors aan te sluiten op een verankerpunt. Deze plaat maakt het mogelijk de last tijdens de reddingsoperaties te verdelen en te oriënteren.
- **Dubbele lijnkatrol:** Katrol uitgerust met twee uitgelijnde schijven, aangepast voor de evacuatie op een gespannen koord. Deze is conform de norm EN 12278.

2.2. Pictogrammes

 **GEVAAR:** Geplaatst bij de start van een lijn, beschrijft instructies bestemd om schade aan personen

te vermijden, met name dodelijke, ernstige of lichte verwondingen en voor de omgeving.



BELANGRIJK: Geplaatst bij de start van een lijn, beschrijft instructies bestemd om een defect of een schade van het product te vermijden, maar die niet rechtstreeks het leven of de gezondheid van de operator of andere personen in gevaar brengen, en/of die geen schade kunnen berokkenen aan het milieu.



OPMERKING: Geplaatst bij de start van een lijn, beschrijft instructies bestemd om de doeltreffendheid of het gebruiksgemak van een installatie, van een gebruik of van onderhoudswerken te garanderen.



Verplichting de instructiehandleiding te lezen.



NOTEREN OP DE CONTROLEFICHE:

De informatie noteren op de verwijderbare controlefiche die zich op de centrale pagina van deze handleiding bevindt.

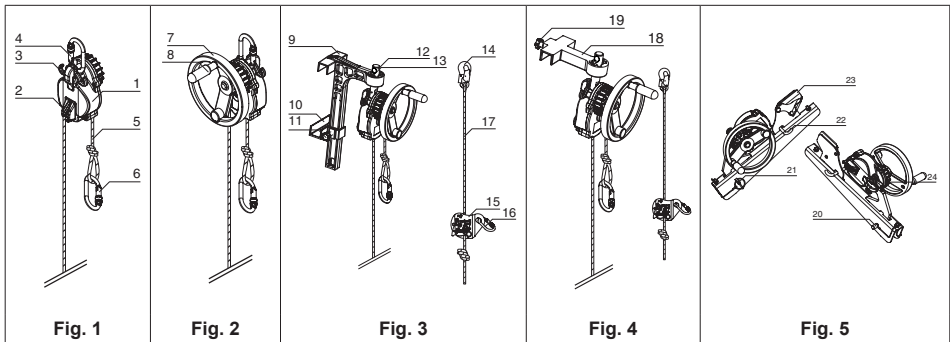
3. Voorstelling van het toestel

3.1. Uitvoeringen van de toestellen

Commerciële beschrijving	derope™ STD Fig. 1	derope™ UP A Fig. 2	derope™ UP B Fig. 3	derope™ UP K Fig. 4	derope™ UP R Fig. 5
Beschrijving	Neerlaatinstallatie standaard derope™.	Neerlaatinstallatie derope™ met recuperator.	Neerlaatinstallatie derope™ met recuperator, uitgerust met een grote console.	Neerlaatinstallatie derope™ met recuperator, uitgerust met een kleine console.	Neerlaatinstallatie derope™ met recuperator, uitgerust met een console voor drievoet.
Functionele beschrijving	Neerlaatinstallatie voor personen met gecontroleerde snelheid en pendelbeweging.	Neerlaatinstallatie derope™ STD uitgerust met een reddingsfunctie door elevatie, ingeschakeld aan de hand van een handwiel.	Neerlaatinstallatie derope™ UP A uitgerust met een bevestigingsconsole voor ladder met vergrendeling.	Neerlaatinstallatie derope™ UP A uitgerust met een steunconsole voor ladder.	Neerlaatinstallatie derope™ UP A uitgerust met een bevestigingsconsole voor drievoet trapde van Tractel®.
Inhoud van de levering	<ul style="list-style-type: none"> - Neerlaatinstallatie. - Streng. - 3 Connectors. - Handleiding + conformiteitscertificaat. 		<ul style="list-style-type: none"> - Neerlaatinstallatie. - Streng. - 2 Connectors. - Leiriem uitgerust met 2 connectors en e LCM 05. - Bevestigings- of steunconsole. - Handleiding + conformiteitscertificaat. 		<ul style="list-style-type: none"> - Neerlaatinstallatie. - Streng. - 2 Connectors. - Bevestigingsconsole uitgerust met een verankerpin voor de drievoet. - Handleiding + conformiteitscertificaat.

NL

3.2. Plannen van de toestellen



- 1: afschermingen
- 2: stopper
- 3: geleiding streng toestel
- 4: bovenste connector
- 5: streng
- 6: connector uiteinde van de streng
- 7: handwiel
- 8: verwijderbaar handvat
- 9: bevestigingsconsole voor ladder met vergrendeling
- 10: slede blokkering
- 11: blokkeerpen
- 12: hechtingspen
- 13: indexeerbout
- 14: connector leiriem
- 15: afstelrichting LCM 05
- 16: connector afstelrichting LCM 05
- 17: leiriem
- 18: kleine steunconsole
- 19: blokkeerpen
- 20: verankerbroche
- 21: klemstiften
- 22: geleiding streng console
- 23: klemmer streng
- 24: blokkeerschroef

3.3. Conformiteit met de reglementeringen

- EN 341 klasse A: neerlaatinstallatie met groot daalvermogen.
- EN 1496 klasse A: reddingssysteem door elevatie naar boven.
- Artikel 11 B van de Richtlijn 89/686/CEE, onder de controle van de aangemelde instantie: APAVE SUDEUROPE, CS60193, F-13322 Marseille, Cedex 16, France, geïdentificeerd door het nummer 0082.
- De uitrusting is identiek met de PBM's die onderwerp uitgemaakt hebben van het EG-typeonderzoek, afgeleverd door het APAVE SUDEUROPE, CS60193, F-13322 Marseille cedex 16, Frankrijk, geïdentificeerd door het nummer 0082 en getest volgens de normen EN 341 klasse A van 1993, EN 1496 klasse A van 2006.

4. Functie en beschrijving

4.1. Functies

4.1.1. Functie neerlaten

Dankzij deze functie kan men 1 of 2 personen doen dalen aan een gecontroleerde snelheid van 0,5 en 2 m/s via het centrifugale remsysteem dat in beide richtingen werkt. Het toestel kan ook gebruikt worden in pendelende mode. De functie neerlaten bestaat op alle modellen van het derope™-toestel van het Tractel®-gamma.

4.1.2. Functie recuperator

Deze functie maakt het mogelijk in een noodsituatie de persoon van bovenaf te evacueren.

- Dit kan worden uitgevoerd door een handwiel dat uitgerust is met een uittrekbare handgreep die door de redder in werking kan worden gesteld. De ophaalsnelheid bedraagt 1m/ minuut.
- Deze kan worden verkregen met behulp van een draagbaar hulpmiddel van het type boormachine / elektrische schroevendraaier die aan het uiteinde van het tandwiel wordt geplaatst, in het midden van het handwiel dat uitgerust is met een zeskantbout. De ophaalsnelheid bedraagt 5 m/minuut.

Deze functie is aanwezig op de toestellen derope™ UP A / UP B / UP K / UP R.

4.1.3. Functie vertraging of stoppen van de daalbeweging

Door het vrije einde van de streng van het toestel in de koordgeleiding te plaatsen, kan de redder handmatig de daalbeweging vertragen of zelfs stoppen. Om het toestel stil te leggen, moet het vrije einde in de stopper die zich op het toestel bevindt geplaatst worden. Deze functie bestaat op alle modellen van het derope™-toestel van het Tractel®-gamma.

4.1.4. Functie verankeren

4.1.4.1. derope™-toestel STD en UP A

Deze 2 toestellen worden met een connector bevestigd die zich bovenaan het toestel bevindt op elk verankerpunt dat conform de eisen van de norm EN 795 is of op elke andere structuur die een weerstand van meer dan 10 kN (1 ton) biedt.

4.1.4.2. derope™-toestel UP B

Dit toestel is uitgerust met een console voor bevestiging op ladders. Deze console moet vergrendeld worden op 2 opeenvolgende sporten van een ladder en verplicht beveiligd worden met een leiriem conform de aanbevelingen van § 6.

4.1.4.3. derope™-toestel UP K

Dit toestel is uitgerust met een steunende console op stangen of ladders. Deze console moet vergrendeld worden en verplicht beveiligd worden met een leiriem conform de aanbevelingen van § 6.

4.1.4.4. derope™-toestel UP R

Dit toestel is uitgerust met een console voor bevestiging, uitsluitend voor de bevestiging op de driehoet trapode van Tractel®. Deze console moet vergrendeld worden op één van de poten van de driehoet met een verankerbroche.

4.2. Accessoires

De speciale tas voor het derope™-toestel met de bobine is ontworpen om het derope™-toestel STD of het derope™-toestel UP A op te bergen met een streng gaande tot 80 meter. Deze tas vergemakkelijkt het transport en de behandeling van de uitrusting tijdens reddingoperaties. De derope™ toestellen kunnen als optie een haspel hebben die bestemd is om af te rollen en zo te voorkomen dat de vallijn in de knoop raakt wanneer deze wordt gebruikt.

4.3. Technische specificaties en bediening van het product met de gebruikte materialen

Commerciële beschrijving	derope™ STD	derope™ UP A	derope™ UP B	derope™ UP K	derope™ UP R
Gewicht (kg)	1.9	3.0	6.1	4.6	6.5
Indicatieve afmetingen (mm) (h × l × d)	170 × 120 × 105	225 × 200 × 165	430 × 200 × 315	265 × 200 × 325	485 × 265 × 165
Recuperatieler	Zonder onderwerp	JA			
Maximale last recuperatie	Zonder onderwerp	120 kg			
Kracht op het handvat van het wiel	Zonder onderwerp	5 kg			
Normen	EN 341 klasse A	EN 341 Klasse A + EN 1496 klasse A			
Daalsnelheid	Begrepen tussen 0,5 en 2 m/s				
Streng	Streng Tractel® diameter 10,5 mm				

4.4. Streng

⚠ GEVAAR: Alleen de Tractel® streng geleverd in het toestel is goedgekeurd voor het gebruik in het derope™-toestel van Tractel®. Deze streng kan geleverd worden in verschillende lengtes, gaande van 10 tot 400 m, naargelang de commerciële voorwaarden van Tractel®.

5. Verenigbare producten

5.1. Uitrusting ter bescherming van het lichaam

- Valbeveiliging conform de norm EN 361. De te redden persoon moet op de verankerpunten van de valbeveiliging vastgekoppeld zijn. Een verankerpunt is gemarkeerd met een A als het alleen gebruikt kan worden, of gemarkeerd met A/2 als het gebruikt moet worden in combinatie met een ander punt gemarkeerd met A/2.
- Valbeveiliging of reddingsriemen conform de norm EN 1497 of EN 1498. De te redden persoon moet op de verankerpunten van de valbeveiliging vastgekoppeld zijn, geïdentificeerd door een etiket dat dichtbij het verankerpunt geplaatst werd.

5.2. Verankerinrichtingen

- De verankerinrichtingen moeten voldoen aan de eisen van de norm EN 795. Ze moeten weerstand bieden aan een minimale last van 10 kN (1 ton).
- Het derope™-toestel UP R is speciaal ontwikkeld en goedgekeurd om bevestigd te worden op een poot van de drievoet tracpode van Tractel®.

⚠ GEVAAR: Het gelijkaardig gebruik met een drievoet van andere herkomst is verboden.

5.3. Dubbele lijnkatrol

- Katrol uitgerust met twee uitgelijnde schijven, aangepast voor de evacuatie op een gespannen koord.

5.4. Plaat multi-verankering

- Deze plaat multi-verankering maakt het mogelijk meerdere connectors aan te sluiten op hetzelfde verankerpunt. Deze plaat maakt het mogelijk de last tijdens de reddingsoperaties te verdelen en te oriënteren.

5.5. Boormachine / elektrische schroevendraaier

- Boormachine / elektrische schroevendraaier met een minimaal vermogen van 300 W die gebruikt kan worden voor de derope™ UP om de bediener te helpen om een persoon naar boven toe te evacueren.
- In het geval van een draadloze boormachine / elektrische schroevendraaier, dient deze een accu te hebben van minimaal 14 V om het noodzakelijke vermogen te kunnen leveren voor deze handeling.

6. Installatie

6.1. Te nemen maatregelen vóór de installatie

1. De installatie van het derope™-toestel moet uitgevoerd worden door een opgeleide en bevoegde persoon.
2. De installatie en het gebruik van de derope™-toestellen moeten uitgevoerd worden conform de in het land van kracht zijnde wetgeving en reglementeringen.

6.2. Controles vóór de installatie

⚠ GEVAAR: De onderstaand beschreven controles moeten uitgevoerd worden zodra men

een derope™-toestel gaat gebruiken om te vermijden dat een noodsituatie de uitvoer van deze controles hindert.

1. Visuele controle van de ontvangststructuur:
 - Verankerpunt voor de derope™-toestellen STD en UP A: conform de norm EN 795 of een minimale weerstand van 10 kN (1 ton).
 - Ladder voor de derope™-toestellen UP B en UP K:
 - Steigers niet vervormd, correct op de muur bevestigd: minimale weerstand van 10 kN (1 ton).
 - Sporten waarop de console bevestigd gaat worden niet vervormd.
 - Drievoot trapcodevan Tractel® voor de derope™-toestellen UP R.
 - Telescopische poten niet vervormd, niet geplooid
 - Aanwezigheid van de caoutchouc zooltjes onder de poten.
 - Aanwezigheid van een geleiderol op de kop van de trapcode drievoot.
 - Geen sporen van vervorming, van corrosie op de kop van de trapcode drievoot.
 - Aanwezigheid van de springwerende broche van de streng op de geleiderol.
2. Visuele controle van de streng over de volledige lengte en de uiteinden om de integriteit van de huls van de streng en de regulariteit van de diameter te controleren.
3. Controle van de werking van het toestel door een handmatige beweging van de streng in het toestel over een minimale lengte van 1 m in beide richtingen om te controleren of de weerstand bij de verplaatsing toeneemt met de snelheid van de verplaatsing.
4. Controle van de goede staat van de afschermingen: geen beduidende beschadigingen, aanwezigheid en leesbaarheid van alle markeringen.
5. Controle van de connectors: geen vervormingen of corrosie, functionele sluiting en vergrendeling.
6. Controle van de consoles de derope™-toestellen UP B / UP K / UP R: geen vervormingen of corrosie, functionele vergrendeling.
7. Controle van de leiriemen voor de derope™-toestellen UP B en UP K: controle van de streng, de connectors, van de inrichting voor het afstellen van de lengte.
8. Controle van alle geassocieerde producten volgens de aanbevelingen van hun respectievelijke handleidingen.
9. Controleren of het derope™-toestel een periodieke controle ondergaan heeft in de loop van de 12 afgelopen maanden.

10. Controleren of het derope™-toestel het potentieel in aantal opeenvolgende dalingen heeft of niet, in daalhoogte of de te evacueren last om de volgende operatie uit te voeren: zie tabel 2 van § 7-1.

⚠ GEVAAR: Als men anomalieën vaststelt tijdens deze controles moet het toestel uit dienst genomen worden om het gebruik ervan te vermijden en onderwerp uitmaken van een herstelling door een opgeleide en bevoegde persoon (zie § 10-1).

6.3. Plaatsing van het derope™-toestel

6.3.1. derope™-toestel STD en derope™-toestel UP A

1. Bepaal of richt het verankerpunt in om het derope™-toestel te ontvangen.
2. Controleer of het verankerpunt conform de norm EN 795 is of controleer of deze een weerstand van meer dan 10 kN (1 ton) biedt.
3. Bevestig het derope™-toestel met de bovenste connector op het verankerpunt dat voorzien voor het uitvoeren van de reddingsoperatie, boven de te evacueren persoon.
4. Vergrendel de connector.
5. Werp de streng naar beneden en zorg ervoor dat hij niet opgerold is, geen knopen heeft, niet wrijft tegen een scherpe kant en controleer of de streng de grond bereikt heeft.
6. Controleer de afwezigheid van obstakels op het traject van de evacuatie en de ontvangstzone. Voorbeelden: elektrische draden, betonstaal, glazen oppervlakte.

6.3.2. derope™-toestel UP B (Fig. 6)

1. Plaats de grote console, vergrendelbaar op de sport van de ladder in de gekozen positie om de reddingsoperatie uit te voeren, boven de te evacueren persoon (Fig. 6, 1).
2. Hermonteer de blokkeergeleiding ter hoogte van de sport onmiddellijk onder deze waarop de grote console bevestigd is (Fig. 6, 2).
3. Zet de blokkeerpen van de geleiding vast aan de hand van de klemknop die zich aan de zijkant van de console bevindt (Fig. 6, 3).
4. Plaats de leiriem:
 - Bevestig de connector van de afstelrichting LCM 05 in het bovenste gat van de verankering (Fig. 6, 4.1).
 - Breng de leiriem rond het sport van de ladder boven de console door één van de steigers van de ladder te omleiden (Fig. 6, 4.2).

- Koppel de connector van de leiriem aan op de connector van de afstelrichting LCM 05 (Fig. 6, 4.3).
 - Span de leiriem op door aan het vrije uiteinde te trekken (Fig. 6, 4.4).
5. Werp de streng naar beneden en zorg ervoor dat hij niet opgerold is, geen knopen heeft, niet wrijft tegen een scherpe kant en controleer of de streng de grond bereikt heeft.
 6. Controleer de afwezigheid van obstakels op het traject van de evacuatie en de ontvangstzone. Voorbeelden: elektrische draden, betonstaal, glazen oppervlakte.
 7. Richt het derope™-toestel naargelang de behoeften en wijzig de positie van de verankerpen in de indexeerven (Fig. 6, 7.1 – 7.2).

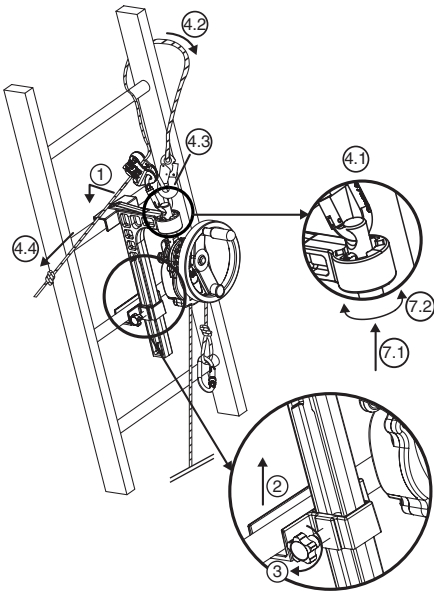


Fig. 6

6.3.3. derope™-toestel UP K (Fig. 7)

1. Plaats de kleine steunconsole op het sport van de ladder in de vereiste positie om de reddingsoperatie uit te voeren, boven de te evacueren persoon (Fig. 7, 1).
2. Zet de blokkeerpen van de geleiding vast aan de hand van de klemknop die zich aan de achterkant van de console bevindt (Fig. 7, 2).
3. Plaats de leiriem:

- - Bevestig de connector van de afstelrichting LCM 05 in het bovenste gat van de verankerking (Fig. 7, 3.1).
- - Breng de leiriem rond het sport van de ladder boven de console door één van de steigers van de ladder te omleiden (Fig. 7, 3.2).
- - Koppel de connector van de leiriem aan op de connector van de afstelrichting LCM 05 (Fig. 7, 3.3).
- - Span de leiriem op door aan het vrije uiteinde te trekken (Fig. 7, 3.4).

⚠ GEVAAR: Er bestaat een risico op vallen en dodelijke ongevallen als de leiriem niet correct geïnstalleerd is.

4. Werp de streng naar beneden en zorg ervoor dat hij niet opgerold is, geen knopen heeft, niet wrijft tegen een scherpe kant en controleer of de streng de grond bereikt heeft.
5. Controleer de afwezigheid van obstakels op het traject van de evacuatie en de ontvangstzone. Voorbeelden: elektrische draden, betonstaal, glazen oppervlakte.
6. Richt het derope™-toestel naargelang de behoeften en wijzig de positie van de verankerpen in de indexeerven (Fig. 7, 6.1 – 6.2).

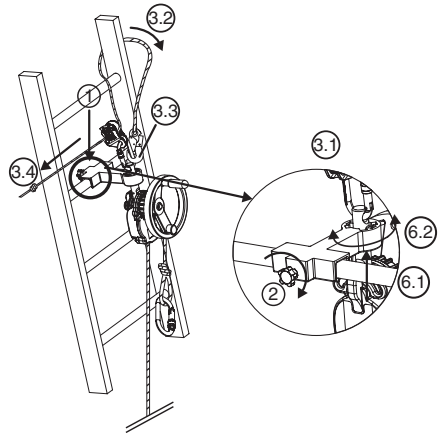


Fig. 7

6.3.4. derope™-toestel UP R (Fig. 8, 9 en 10)

Het derope™-toestel UP R moet op de poot van de trapcode drievoet van Tractel® bevestigd worden zoals aangegeven in Fig. 8. Elke andere bevestiging op een ander punt dan de trapcode drievoet van Tractel® is verboden.

Om een derope™-toestel UP R op één van de poten van de trapcode drievoet te kunnen gebruiken moet deze uitgerust zijn met een geleiderol op het bovenste gedeelte, of met 2 katrollen als een ander

toestel geplaatst is op dezelfde tracpode drievoet (valbeveiliging met automatische herhaling **blocfor™** of **caRoJ™**-takel).

Als het derope™-toestel UP R niet geïnstalleerd is op de console voor tracpode van Tractel® voer dan de installatie ervan uit en volg hiervoor de volgende instructies:

1. Schroef de blokkeerschroef van de verankerhaak van de console voor het derope™-toestel UP R los (Fig. 8,1).

2. Plaats het derope™-toestel UP R op de verankerhaak (Fig. 8, 2.1 – 2.2).

3. Schroef de blokkeerschroef weer vast om te vermijden dat het toestel zich van de console losmaakt (Fig. 8, 3) en controleer op deze goed geplaatst en goed vastzit.

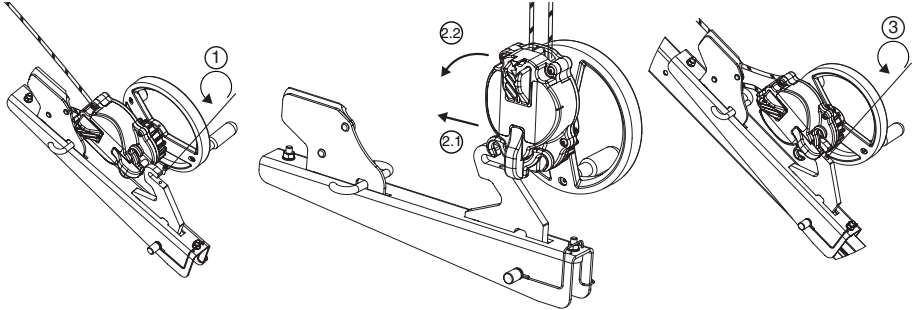


Fig. 8

Eenmaal het derope™-toestel UP R geïnstalleerd op de console voor tracpode van Tractel®.

1. Plaats de tracpode drievoet van Tractel® op de grond, zonder deze op de grond uit te plooiën.
2. Stel de poten van de tracpode drievoet van Tractel® af om de gewenste hoogte te verkrijgen: zie de instructiehandleiding van de tracpode drievoet.
3. Kies de poot van de tracpode drievoet van Tractel® met een geleiderol op de top; verwijder op deze poot de vergrendelbroche.
4. Plaats het verankergat van de console tegenover het vergrendelgat van de poot van de tracpode drievoet van Tractel®.



BELANGRIJK: Let op de montagerichting: de blokkeerinrichting van de streng dient naar de bovenkant van de tracpode-drievoet gericht te zijn (Fig. 9).

5. Plaats de verankerbroche van de console van het derope™-toestel UP R. Deze verankerbroche heeft twee functies: vergrendelen van de poot van de tracpode-drievoet en verankeren van de console van het derope™-toestel UP R op deze poot (Fig. 9, 5).
6. Vergrendelen van de verankerbroche door de clipstift (Fig. 9, 6).

7. Plooi de 3 poten van de tracpode-drievoet volledig uit.

8. Verwijder de kogelbroche die zich boven de geleiderol, bovenaan de tracpode-drievoet bevindt (Fig. 10, 8).

9. Breng de streng van het derope™-toestel rond de geleiderol (Fig. 10, 9).

10. Plaats de kogelbroche terug om te vermijden dat de streng uit de geleiderol komt (Fig. 10, 10).

11. Open de kleminrichting van de streng van de console (Fig. 9, 11).

12. Plaats de streng die uit het derope™-toestel steekt in de kleminrichting van de streng van de console (Fig. 9, 12).

13. Werp de streng naar beneden en zorg ervoor dat hij niet opgerold is, geen knopen heeft, niet wrijft tegen een scherpe kant en controleer of de streng de grond bereikt heeft.

14. Sluit de kleminrichting van de streng (Fig. 9, 14).

15. Controleer de afwezigheid van obstakels op het traject van de evacuatie en de ontvangstzone. Voorbeelden: elektrische draden, betonstaal, glazen oppervlakte.

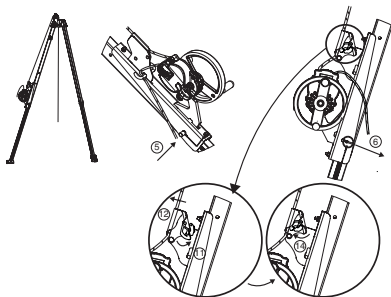


Fig. 9

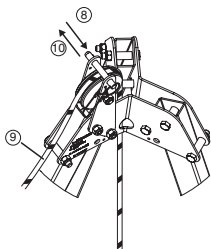


Fig. 10

6.3.5. derope™ UP met boormachine / elektrische schroevendraaier



GEVAAR:

- Voordat u de boormachine / elektrische schroevendraaier aan het uiteinde van de as van het wiel van het toestel derope™ UP R plaatst, dient u zich ervan te verzekeren dat de intrekbare handgreep van het handwiel ingeklapt is.
- Zet de klauwplaat van de boormachine / elektrische schroevendraaier rond de zeskantbout aan het uiteinde van de as van het handwiel.
- Blokkeer de klauwplaat op de as met zijn zeskantbout.

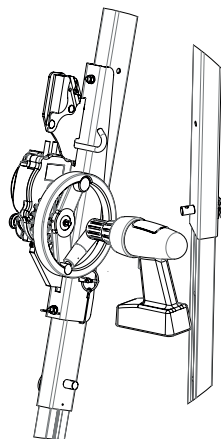


Fig. 11

7. Gebruik

7.1. Aanbevelingen voor gebruik en gebruiksbependingen van het derope™-toestel

GEVAAR: De derope™-toestellen kunnen bij werken in de hoogte gebruikt worden. In dit kader is het belangrijk te herhalen dat voor deze werken in hoogte de volgende maatregelen getroffen moeten worden:

- De personen die in de hoogte werken moeten volledig in het bezit zijn van hun fysieke en psychologische capaciteiten.
- De personen die in de hoogte werken moeten hiervoor speciaal opgeleid zijn.
- De werken in de hoogte zijn verboden voor zwangere vrouwen.
- Het uitvoeren van werken in de hoogte moet voorafgegaan worden door het opstellen van een reddingsplan.

Bij vrijwillige evacuaties worden de derope™-toestellen uitsluitend gebruikt door opgeleide en bevoegde personen of onder de verantwoordelijkheid van een bevoegde persoon.

Bij reddingsoperaties mogen de reddingsoperaties uitsluitend uitgevoerd worden door hiervoor opgeleide en bevoegde personen.

De aanbevelingen voor het gebruik van de verschillende modellen van de derope™-toestellen zijn in de volgende tabel weergegeven.

Gebruik	derope™ STD	derope™ UP A	derope™ UP B	derope™ UP K	derope™ UP R
Vrijwillige verticale evacuatie	Ja	Ja	Ja (*)	Ja (*)	Nee
Vrijwillige evacuatie op hellend vlak	Ja	Ja	Nee	Nee	Nee
Reddingsoperaties	(***)	Ja	Ja (*)	Ja (*)	Ja (**)

* : gebruik van een ladder alleen

** : gebruik op trapode-drievoet van Tractel® boven een opening zoals bijvoorbeeld een put, een silo, enz.

*** : Nee, indien het gebruik een derope™-toestel alleen, of als het gebruik van een derope™-toestel met een hijstoestel voor personen het toelaat de te evacueren persoon naar boven te brengen om het valbeveiligingssysteem te ontspannen.

⚠ GEVAAR: Bij daalbewegingen, is het gebruik van het derope™-toestel beperkt in de last, in de daalhoogte en in het aantal herhaalde dalingen.

In het geval van een unieke daling:

– de maximale last bedraagt 225 kg voor een maximale daalhoogte van 200 m.

– de maximale daalhoogte bedraagt 400 m voor een maximale last van 150 kg.

Bij herhaalde daalbewegingen is het gebruik van het derope™-toestel beperkt in de last, in de daalhoogte en in het aantal herhaalde dalingen volgens de beperkingen aangegeven in de onderstaande tabel.

Daalhoogte		Maximaal aantal herhaalde daalbewegingen			
		< 50 m	< 125 m	< 200 m	< 400 m
Gebruikslast	Minder dan 100 kg	60	24	15	7
	Meer dan 100 kg en minder dan 150 kg	20	8	5	2
	Meer dan 150 kg en minder dan 225 kg	6	2	1	Verboden

⚠ GEVAAR: Na elk gebruik, hetzij een unieke daling of hetzij herhaalde daalbewegingen, moet het derope™-toestel gecontroleerd worden door een hiervoor opgeleide en bevoegde persoon.

⚠ GEVAAR: Men dient de gecumuleerde daalhoogte onder toezicht te houden. Als de gecumuleerde daalhoogte de beperkingen van tabel van § 10-1 overschrijdt, ongeacht de tijd die nodig was om deze cumul te bereiken, moet het toestel gereviseerd worden volgens de § 10-1, uit te voeren door een hiervoor opgeleide en bevoegde persoon.

Het toestel kan gebruikt worden tussen -35°C en +50°C.

⚠ GEVAAR: Het toestel moet droog zijn, streng inbegrepen om bij negatieve temperaturen gebruikt te worden (tussen -35°C en 0°C).

⚠ GEVAAR: De persoon die het derope™-toestel gebruikt moet meer dan 30 kg wegen.

⚠ GEVAAR: Het is verboden het derope™-toestel tijdens de werking en voordat het afgekoeld is aan te raken om elk risico op brandwonden te vermijden.

7.2. Vrijwillige verticale evacuatie:

Dit soort evacuaties moet uitgevoerd worden met het derope™-toestel STD, het derope™-toestel UP A, het derope™-toestel UP B of het derope™-toestel UP K, de twee laatste modellen zijn bestemd om gebruikt te worden vanaf een ladder.

De te evacueren persoon moet uitgerust zijn met een valbeveiliging (EN 361), een reddingsharnas (EN 1497) of een reddingsriem (EN 1498 klasse A of B). Bij een vrijwillige verticale evacuatie mag de persoon zich niet meer dan 20° verwijderen in verhouding tot de verticale lijn om het schommeleffect te vermijden.

1. Ga als volgt te werk na de installatie van het derope™-toestel conform de instructies van § 6.
2. Koppel de te evacueren persoon of uzelf via de connector op het uiteinde van de evacuatiestring van het derope™-toestel op:
 - een verankerpunt van de valbeveiliging EN 361: deze punten zijn gemarkeerd met een A als ze alleen gebruikt kunnen worden of met A/2 als ze gebruikt moeten worden in combinatie met een ander verankerpunt, gemarkeerd A/2.
 - een verankerpunt van het reddingsharnas EN 1497 of de reddingsriem EN 1498 klasse A of B zijn door een etiket dichtbij dit verankerpunt geïdentificeerd.
3. Trek aan de vrije draad van de streng om de evacuatiekoord op te spannen.

4. Breng de vrije draad in de geleiding van de streng en vervolgens in de stopper.
5. Controleer indien nodig of het handvat van het handwiel van het derope™-toestel ingetrokken is.
6. Laat uzelf glijden langs de gespannen kabel of koord.
7. Start de daalbeweging door het vrije einde te bevrijden uit de stopper.
8. Eenmaal op de grond, koppel de persoon en de dubbele lijnkatrol los.
9. Als een andere persoon geëvacueerd moet worden, herhaal de punten 1 tot 8, de connector van het vrije einde opnieuw naar het derope™-toestel tijdens de evacuatie.
10. Respecteer, in geval van herhaalde daalbewegingen, het maximaal aantal daalbewegingen zoals aangegeven in de tabel van § 7.1.

7.3. Vrijwillige evacuatie op hellend vlak (Fig. 12)

Dit soort evacuaties dient uitgevoerd te worden met het derope™-toestel STD of het derope™-toestel UP A.

De te evacueren plaats moet uitgerust zijn met een gespannen kabel of koord die met de verticale lijn een hoek tussen 30° en 60° vormt. Een dubbele lijnkatrol met een multi-verankerplaat moet bovenaan de kabel geplaatst worden.

De te evacueren persoon moet uitgerust zijn met een valbeveiliging die bij voorkeur, wegens gemakredenen, een verankerpunt op de borst bevat (EN 361), met een reddingsharnas (EN 1497) of met een reddingsriem (EN 1498 klasse B).

1. Nadat het derope™-toestel conform de instructies van § 6 geïnstalleerd werd, sluit de evacuatiekoord van het derope™-toestel aan op de multi-verankerplaat, stevig bevestigd op de dubbele lijnkatrol.
2. Plaats een leiriem uitgerust met 2 connectors tussen de verankerplaat en de dubbele lijnkatrol en:
 - een verankerpunt van de valbeveiliging EN 361. Deze punten zijn gemarkeerd met A als ze alleen gebruikt kunnen worden of met A/2 als ze in combinatie met een ander verankerpunt gemarkeerd A/2 gebruikt moeten worden.
 - een verankerpunt van het reddingsharnas EN 1497 of de reddingsriem EN 1498 klasse B die geïdentificeerd is door een etiket dichtbij dit verankerpunt.
3. Trek aan het vrije einde van het derope™-toestel om de evacuatiekoord op te spannen.
4. Breng het vrije einde van de streng in de geleiding van de streng en vervolgens in de stopper.

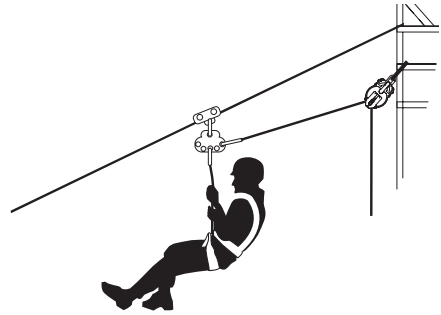


Fig. 12

7.4. Reddingsevacuatie van een persoon

OPMERKING: Dit hoofdstuk is in geen enkel geval een reddingsprocedure. Het onderwerp van dit hoofdstuk is het juiste gebruik van de derope™-toestellen via een voorbeeld.

De reddingsoperaties mogen uitsluitend uitgevoerd worden door een opgeleide en bevoegde persoon voor reddingsoperaties.

Voordat een reddingsoperatie gestart wordt, is het nodig de hulpdiensten te verwittigen.

Gedurende de volledige duur van de daling moet de redder visueel contact houden met de te evacueren persoon om in te kunnen grijpen indien nodig.

De in dit hoofdstuk beschreven reddingsoperaties worden uitgevoerd met een derope™-toestel UP met recuperator, uitgerust met een handwiel om personen uitgerust met een valbeveiliging te redden. In de mate van het mogelijke moet de redder ingrijpen ter hoogte van de te evacueren persoon. In het tegenovergestelde geval moet de redder ingrijpen ter hoogte van het verankerpunt van de valbeveiliging van de te evacueren persoon.

In het onderstaande geval is de te evacueren persoon uitgerust met een valbeveiliging en is net gevallen. De redder komt in contact met de te evacueren persoon.

1. Nadat hij bij de te evacueren persoon geraakt is en nadat het derope™-toestel conform de instructies van § 6 geïnstalleerd werd, koppel de te evacueren persoon met de connector op het einde van de evacuatiekoord van het derope™-toestel aan op:
 - een verankerpunt van de valbeveiliging EN 361: deze punten zijn gemarkeerd met A als ze alleen gebruikt kunnen worden of met A/2 als ze in combinatie met een ander verankerpunt gemarkeerd A/2 gebruikt moeten worden.
 - een verankerpunt van het reddingsharnas EN 1497 of de reddingsriem EN 1498 klasse B die geïdentificeerd is door een etiket dichtbij dit verankerpunt.
2. Monteer de te evacueren persoon door middel van het handwiel om het valbeveiligingssysteem te ontspannen.
3. Breng het vrije einde van de streng in de geleiding van de streng en vervolgens in de stopper.
4. Trek het handvat van het handwiel van het derope™-toestel UP in.
5. Ontkoppel de te evacueren persoon van zijn valbeveiliging ter hoogte van het verankerpunt.
6. Start de daalbeweging door het vrije einde te bevrijden uit de stopper.

7.5. Opheffen van een persoon

Tijdens het gebruik van het toestel derope™ UP R op een console van de driepoot trapcode van Tractel® is het mogelijk een persoon omhoog te tillen:

- ofwel door handmatig het handwiel te bedienen
- ofwel door gebruik te maken van een boormachine / elektrische schroevendraaier.

⚠ GEVAAR: Het is erg belangrijk de intrekbare handgreep in te klappen voordat u de boormachine / elektrische schroevendraaier gebruikt om het toestel derope™ UP R in werking te stellen.

⚠ GEVAAR: Het is verplicht de boormachine / elektrische schroevendraaier met twee handen vast te houden wanneer u een persoon naar boven tilt.

⚠ GEVAAR: Het is erg belangrijk de boormachine / elektrische schroevendraaier niet lost te laten zolang de persoon die geëvacueerd moet worden nog aan het toestel derope™ UP R hangt.

8. Verboden en fout gebruik

Het is streng verboden:

1. Een derope™-toestel te installeren of te gebruiken zonder hiervoor toestemming te hebben, opgeleide te zijn en bevoegd erkend te zijn, zonder onder

de verantwoordelijkheid van een competente, opgeleide en bevoegd erkende persoon te zijn.

2. Een derope™-toestel te gebruiken als één van de markeringen op het toestel niet langer aanwezig of leesbaar is.
3. Een derope™-toestel te installeren of te gebruiken dat niet op voorhand gecontroleerd werd (zie § 6-2).
4. Een derope™-toestel te gebruiken dat niet periodiek gecontroleerd werd in de loop van de 12 maanden door een technicus die hiervoor bevoegd is en die het hergebruik ervan schriftelijk toegestaan heeft (zie §10-1).
5. Een derope™-toestel te gebruiken buiten het kader van een reddingsoperatie of evacuatie van personen.
6. Een andere streng te gebruiken dan de Tractel S.A.S-streng voor derope™-toestel.
7. Een derope™-toestel te bevestigen op een verankerpunt dat niet voldoet aan de eisen van de norm EN 795. Het verankerpunt moet een minimale weerstand bieden van 10 kN.
8. Een derope™-toestel te bevestigen op andere inrichtingen dan deze die door Tractel S.A.S voorzien zijn.
9. Een derope™-toestel te installeren zonder dat dit toestel zich boven de te evacueren persoon bevindt.
10. Een derope™-toestel te gebruiken zonder op voorhand de voor de daling of stijging beschikbare ruimte rond de te redden persoon te controleren.
11. De derope™-toestellen UP B en UP K te gebruiken zonder een leiriem te plaatsen.
12. Een derope™-toestel UP R te gebruiken op een andere driehoek dan de trapcode-driehoek van Tractel®.
13. Een derope™-toestel te gebruiken als de levensduur voorzien door Tractel S.A.S overschreden is.
14. Een derope™-toestel te gebruiken als de toegestane last overschreden werd of als de maximale toegestane daalhoogte overschreden werd.
15. Een derope™-toestel te gebruiken met een persoon die minder dan 30 kg weegt.
16. Een derope™-toestel te gebruiken voor herhaalde dalingen als het maximaal aantal toegestane daalbewegingen overschreden werd.
17. Een derope™-toestel te gebruiken in het kader van een valbeveiligingssysteem in de zin van de norm EN 363.

18. Een derope™-toestel te gebruiken als ophangmiddel voor het behoud op een plaats.
19. Een derope™-toestel te gebruiken in een explosieve omgeving.
20. Een derope™-toestel of de streng bloot te stellen aan een warmtebron of rechtstreeks licht.
21. Een derope™-toestel te gebruiken buiten het temperatuurbereik gaande van -35°C tot +50°C.
22. Een derope™-toestel of de streng in contact te brengen met chemische agressieve substanties, met schurende of snijdende oppervlakken.
23. Het derope™-toestel te gebruiken als het uiteinde van de streng niet de grond bereikt.
24. De automatische uitlijning van een derope™-toestel in verhouding tot de streng te hinderen.
25. De vrije rotatie van het handwiel van de derope™-toestel UP A, B, K of R te hinderen.
26. Een of ander voorwerp te plaatsen in een passagedoorgang van de streng van een derope™-toestel.
27. Een derope™-toestel te openen, in te smeren of er om het even welke wijziging op aan te brengen.
28. Herstellingen op een derope™-toestel uit te voeren zonder hiervoor opgeleid en schriftelijk bevoegd erkend te zijn door Tractel S.A.S.
29. Het derope™-toestel aan te raken zonder te controleren of het na gebruik afgekoeld is.
30. Het toestel derope™ UP R te gebruiken op een console van de driepoot tracpode van Tractel® met een boormachine / elektrische schroevendraaier wanneer de intrekbare handgreep van het handwiel niet ingeklapt is.
31. Het toestel derope™ UP R te gebruiken op een console van de driepoot tracpode van Tractel® met een boormachine / elektrische schroevendraaier wanneer de gebruiker de boormachine niet met twee handen vasthoudt.
32. De boormachine / elektrische schroevendraaier los te laten die aan het uiteinde van de as van het toestel derope™ UP R is geplaatst, wanneer er een persoon aan het toestel hangt.

9. Transport en opslag

De in deze handleiding beschreven uitrustingen moeten opgeslagen en getransporteerd worden in hun oorspronkelijke verpakking.

Tijdens de opslag en/of het transport moeten deze uitrustingen:

1. Droog bewaard worden,
2. Bewaard worden aan een temperatuur tussen -35°C en +50°C,
3. Beschermd worden tegen warmtebronnen en UV-stralingen,
4. Beschermd worden tegen chemische of mechanische agressie of elk ander geweld.

10. Periodieke controle

Een jaarlijkse periodieke inspectie is verplicht, maar afhankelijk van de gebruiksfrequentie, omgevingsfactoren, de bedrijfsregels of de reglementen van het land waarin het toestel gebruikt wordt kunnen deze periodieke controles frequenter zijn.

Periodieke inspecties moeten uitgevoerd worden door een bevoegde en bekwame technicus, met inachtneming van de inspectieregels van de producent zoals die voorkomen in de brochure „PBU Tractel® verificatie-instructies».

Controle van de leesbaarheid van de markering op het product is een integraal onderdeel van de periodieke inspectie.

Aan het einde van de periodieke inspectie moet de inbedrijfstelling opnieuw schriftelijk bevestigd worden door een bevoegde en bekwame technicus die de periodieke inspectie heeft uitgevoerd. De herinbedrijfstelling van het product moet geregistreerd worden op het controleblad dat zich in het midden van deze handleiding bevindt. Dit controleblad moet tijdens de gehele levensduur van het product bewaard worden, tot het vervangen wordt door een nieuw product.

Na het opvangen van een val dient dit product verplicht periodiek gecontroleerd te worden zoals beschreven in dit artikel. Eventuele productonderdelen bestaande uit textiel moeten verplicht vervangen worden, zelfs wanneer ze geen zichtbare schade hebben opgelopen.

10.1. Revisie van het toestel

 **GEVAAR: De revisie van het toestel is verplicht in de volgende gevallen:**

1. **Bij vastgestelde anomalieën tijdens de jaarlijkse controle of niet, of zodra men een bedrijfsfout of een ogenschijnlijke slechte staat heeft opgespoord.**
2. **Als de cumul van de dalhoogte bereikt is zoals aangegeven in de onderstaande tabel, ongeacht de tijd die nodig was om deze cumul te bereiken.**

De grens van de gecumuleerde daalhoogte schakelt verplicht de revisie van het toestel in en de vervanging van de streng.

	Minder dan 100 kg	3000 m
Toelaatbare belasting	Meer dan 100 kg en minder dan 150 kg	1000 m
	Meer dan 150 kg en minder dan 225 kg	300 m

De revisie van het toestel mag uitsluitend uitgevoerd worden door een hiervoor opgeleide en bevoegde persoon voor onderhoudswerken, door Tractel® of door een erkende reparateur.

Het is verplicht de streng te vervangen zodra het toestel de gecumuleerde hoogte bereikt heeft zoals aangegeven in de bovenstaande tabel.

11. Levensduur

De PBU Tractel® die uit textiel vervaardigd zijn, zoals het hamas, de lijnen, koorden en schokdempers, de mechanische PBU van Tractel® zoals de valstopbeveiligingen stopcable™ en stopfor™ en de valbeveiligers met automatische lijnspanner zoals de blocfor™ en de levenslijnen Tractel® kunnen onder voorbehoud worden gebruikt vanaf de productiedatum indien zij:

- normaal gebruikt worden met inachtneming van de gebruiksinstructies uit deze handleiding.
- periodiek gecontroleerd worden, minimaal 1 keer per jaar, door een bevoegde en bekwaame technicus. Aan het einde van deze periodieke inspectie moet de PBU schriftelijk als bedrijfsklaar worden verklaard.
- gebruikt worden met nauwkeurige inachtneming van de opslag- en transportvoorwaarden die in deze handleiding staan beschreven.

12. Wegwerpprocedure

Bij afdanking van het product moeten de verschillende onderdelen gerecycleerd worden nadat de metalen elementen van de synthetische materialen gescheiden worden.

Deze materialen moeten door gespecialiseerde bedrijven gerecycleerd worden. Bij afvoering moet de demontage voor de scheiding van de bestanddelen uitgevoerd worden door een deskundig persoon.

13. Markering van het product

13.1. Markering van de derope™-neerlaatinstallatie

De etiketten van de derope™-neerlaatinstallatie worden weergegeven door de figuren 13a, 13b en 13c. Zij geven de volgende elementen aan:

- a: het commercieel handelsmerk: Tractel®
- b: de beschrijving van het product
- c: de referentienorm gevolgd door het jaar van toepassing.
- d: de referentie van het product vb. 010042

e: de EG-markering gevolgd door het n° van de aangemelde instantie artikel 11 B productiecontrole 0082.

f: het jaar en de week van fabricatie.

g: het serienummer

h: een pictogram dat aangeeft dat de handleiding gelezen moet worden.

i: visuele en functionele controle voor gebruik.

j: diameter van de Tractel®-streng.

k: temperatuurbereik bij gebruik.

l: maximale lasten en maximale lengtes bij gebruik.

m: de streng niet tegen scherpe kanten laten wrijven.

n: gebruik voor simpele evacuatie.

o: gebruik voor evacuatie op hellend vlak.

p: gebruik voor simpele evacuatie en redding.

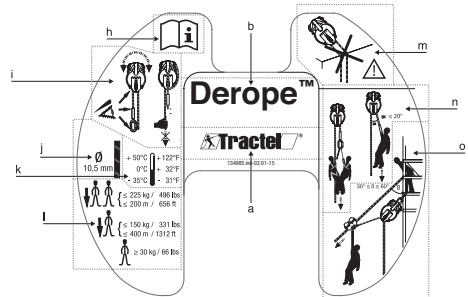


Fig. 13a

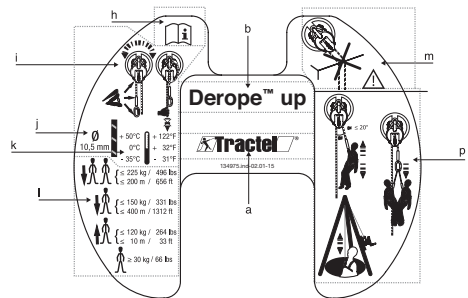


Fig. 13b

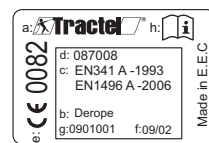



Fig. 13c

13.2. Markering van de streng

Het etiket van elk van de strengen van de derope™-neerlaatinstallaties wordt weergegeven door figuur 14. Deze geeft de volgende elementen aan:

- a: het commercieel handelsmerk: Tractel®
y: standaardlengte van de streng.
z: speciale lengte van de streng.

a:  Tractel®

y:

10 m	60 m	
20 m	70 m	
30 m	80 m	
40 m	90 m	
50 m	100 m	

z:

m

Fig. 14

Índice

1. Consignas prioritarias.....	64
2. Definiciones y pictogramas	65
3. Presentación del aparato	67
4. Función y descripción.....	68
5. Productos asociados	69
6. Instalación	69
7. Utilización	75
8. Utilizaciones erróneas prohibidas	78
9. Transporte y almacenamiento	79
10. Examen periódico.....	79
11. Vida útil.....	79
12. Desecho	80
13. Marcado del producto.....	80

Nota preliminar:

A fin de asegurar la mejora constante de sus productos, Tractel® se reserva el derecho de aportar a los equipos descritos en el presente manual, en todo momento, cualquier modificación juzgada útil.

Las sociedades del grupo Tractel® y sus distribuidores autorizados le suministrarán a petición la documentación referente a la gama de los demás productos Tractel®: aparatos de elevación y de tracción y sus accesorios, materiales de acceso de obra y de fachada, dispositivos de seguridad para cargas, indicadores de carga electrónicos, etc.

La red Tractel® puede suministrarle un servicio postventa y de mantenimiento periódico.

1. Consignas prioritarias

1. Es indispensable, para la seguridad de colocación y empleo del material y para su eficacia, leer el presente manual y cumplir estrictamente sus indicaciones antes de la utilización de este tipo de aparato.
2. Este manual debe ser entregado al usuario del aparato derope™ y conservado a disposición de todo operador-socorrista. Tractel S.A.S puede suministrar ejemplares suplementarios a petición.
3. La utilización, el mantenimiento y la gestión del aparato derope™ deben ser puestas bajo la responsabilidad de personas que conozcan la reglamentación de seguridad y las normas aplicables a este tipo de material y a los equipos que les están asociados, y que tengan autoridad para hacerlas respetar. Cada usuario debe haber

leído y comprendido el presente manual. Debe cerciorarse de la compatibilidad de los Equipos de Protección Individual asociados, entre éstos y con el aparato derope™. La primera puesta en servicio del aparato derope™ debe ser objeto de una verificación, por un técnico competente, de la conformidad del estado del aparato con respecto a los controles recomendados en este manual.

4. Si usted debe confiar la utilización del aparato derope™ a personal asalariado o asimilado, cumpla con la reglamentación del trabajo en vigor.
5. Cada persona que deba utilizar el aparato derope™ debe cumplir con las condiciones de aptitud física y profesional para operar en trabajos en altura y operaciones de salvamento. En caso de duda, consultar a su médico o al médico del trabajo. Ésta deberá haber recibido, en condiciones sin riesgos, una formación previa apropiada, teórica y práctica, asociándole los Equipos de Protección Individual conforme a las exigencias de seguridad. Esta formación debe incluir una información completa sobre los capítulos del presente manual relativos a esta utilización. El empleo de este aparato está prohibido a las mujeres encinta.
6. El aparato derope™ debe ser utilizado exclusivamente para la evacuación o el salvamento de personas, conforme a las indicaciones del presente manual. No está autorizado ningún otro uso. En particular, nunca debe ser utilizado como sistema de suspensión o componente de un sistema de parada de caídas en el sentido de la norma EN 363.
7. Antes de toda utilización del aparato, es necesario cerciorarse de la presencia y de la legibilidad de los marcados presentes en el aparato. Para toda pregunta, contactar con Tractel S.A.S o su distribuidor.
8. La utilización del aparato derope™ requiere asociarle y conectarle Equipos de Protección Individual anticada o de salvamento. Un arnés anticada (EN 361), un arnés de salvamento (EN 1497) y una correa de salvamento (EN 1498 clase A o clase B) son los únicos dispositivos de prensión del cuerpo que está permitido hacer vestir a la persona por socorrer, durante una operación de socorro, conectándolo al aparato derope™.
9. Todo punto de anclaje al cual sea fijado el aparato derope™ debe satisfacer las exigencias de la norma EN 795 o, en su defecto, tener una resistencia al arrancamiento de por lo menos 10 kN (1 tonelada).
10. Consultar a Tractel S.A.S antes de toda utilización en un entorno que presenta un riesgo específico, sobre todo, y de manera no exhaustiva: entorno corrosivo o que presenta un riesgo químico, entorno

explosivo, entorno que presenta un riesgo eléctrico, un riesgo de radiaciones, etc.

11. Antes de cada secuencia de utilización, el operador socorrista debe realizar un examen visual del aparato derope™ para cerciorarse de que está en un buen estado de servicio, que los Equipos de Protección Individual asociados también lo están, que son compatibles y que están correctamente colocados y conectados según las recomendaciones de sus respectivos manuales.
12. Antes de utilizar los equipos que son objeto del presente manual, es indispensable cerciorarse de que no haya presencia de ningún obstáculo en la trayectoria de la evacuación ni riesgo de contacto con ningún objeto peligroso.
13. Antes de toda utilización de este aparato, es necesario referirse al plan de salvamento establecido por el responsable del sitio de la intervención.
14. Tractel S.A.S recomienda dotar a cada operador-socorrista de un medio de comunicación que le permita activar una llamada de urgencia en caso de incidente.
15. En un sistema de parada de caídas, es esencial verificar el espacio libre debajo del operador socorrista, en el lugar de trabajo, antes de cada utilización, de modo que en caso de caída no haya riesgo de colisión con el suelo ni en presencia de un obstáculo en la trayectoria de caída. La altura libre debe ser suficiente.
16. Los equipos que son objeto del presente manual son convenientes para una utilización a temperaturas comprendidas entre -35°C y 50°C. A temperaturas negativas (de -35°C a 0°C), es obligatorio cerciorarse de que el equipo está seco, incluyendo la driza.
17. Durante la utilización de los equipos que son objeto del presente manual, es obligatorio respetar, conforme al § 7-1:
 - La carga máxima.
 - La carga mínima de 30 kg.
 - La altura de descenso máxima.
 - El número de descensos repetidos.
 - La altura acumulada de descensos.
18. Si la altura acumulada de descensos alcanza los límites especificados, es obligatorio hacer proceder a la revisión del equipo (ver § 10-1).
19. El aparato derope™, UP R debe ser utilizado exclusivamente con el trípode trapode de Tractel®. Toda utilización similar con un trípode de otra procedencia está prohibida.
20. Después de cada utilización del aparato derope™, éste, así como los Equipos de Protección

Individual concernidos, deben ser imperativamente verificados antes de volver a ser puestos en uso. Esta verificación debe ser realizada según las indicaciones del presente manual, por un técnico competente para este fin, el cual autorizará por escrito su reutilización. En caso de constatación visual de un estado defectuoso o de duda en cuanto al estado de un aparato derope™ o de un Equipo de Protección Individual asociado, éste debe ser bloqueado para prevenir su utilización antes de su reparación, después de la cual toda nueva utilización deberá ser autorizada por escrito por un técnico competente y formado. Devolver todo aparato derope™ que presenta deterioro o una duda a Tractel S.A.S o a su distribuidor.

21. Un control periódico del aparato derope™ y de los Equipos de Protección Individual asociados, por lo menos una vez por periodo de 12 meses, debe ser organizado por un técnico competente, que haya recibido una formación para este fin, el cual autorizará por escrito su reutilización. Esta formación puede ser suministrada por Tractel S.A.S. Este control debe ser realizado conforme a la Directiva 89/656/CEE y a las consignas del presente manual, así como del manual de mantenimiento.
22. Tractel S.A.S rehúsa toda responsabilidad por las consecuencias de un desmontaje del aparato derope™ o por toda modificación realizada fuera de su control, especialmente en caso de reemplazo de la driza por una persona no autorizada.
23. Para garantizar una operación de evacuación o salvamento con total seguridad, si el aparato derope™ es revendido fuera del primer país de destino, el revendedor debe suministrar el presente manual de instrucciones en el idioma del país de utilización del aparato derope™.

2. Definiciones y pictogramas

2.1. Definiciones

- **Descensor:** dispositivo de salvamento mediante el cual una persona puede descender de un lugar en altura al suelo, a velocidad controlada, sola o con ayuda de un socorrista. Está conforme con la norma EN 341.
- **Usuario:** Persona o servicio responsable de la gestión y de la seguridad de utilización del producto descrito en el manual. (No confundir con "operador" aunque éste pueda ser la misma persona.) La noción de usuario no es ni aquella de "cliente" ni aquella "de operador".
- **Técnico:** Persona cualificada, a cargo de las operaciones de mantenimiento descritas y permitidas al usuario por el manual, que es competente y está familiarizada con el producto.

- **Conector:** elemento de conexión entre componentes de un sistema de parada de caídas. Está conforme con la norma EN 362.
- **Driza:** cuerda que posee un alma interior multifilamentos y una funda exterior cilíndrica.
- **Anclaje:** dispositivo de fijación de un sistema anticaída, de resistencia mínima de 10 kN (1 tonelada). Está conforme con la norma EN 795.
- **Correa de aseguramiento:** elemento de unión entre un punto de anclaje y un sistema a proteger.
- **Mordaza bloqueadora:** sistema de bloqueo para driza.
- **Guía de driza:** sistema de desvío de la driza.
- **Consola:** dispositivo de fijación de un descensor para una escalera o un trípode de maniobra.
- **Punto de enganche o de salvamento:** punto de unión específico en un arnés o una correa de salvamento para el enganche de los sistemas de salvamento o de evacuación.
- **Volante de maniobra:** volante con el cual está equipado el aparato derope™ de tipo UP, cuya maniobra permite hacer subir a una persona unos cuantos metros.
- **Arnés anticaída:** dispositivo de prensión del cuerpo destinado a parar las caídas. Está constituido de correas y hebillas. Consta de puntos de enganche anticaída marcados con una A si pueden ser utilizados solos o marcados con una A/2 si deben ser utilizados junto con otro punto A/2. Está conforme con la norma EN 361.
- **Arnés de salvamento / correa de salvamento:** dispositivos de prensión del cuerpo destinados a mantener a una persona a evacuar en una posición dada durante una operación de salvamento. Están conformes con las normas EN 1497 y EN 1498.
- **Trípode de maniobra:** trípode cuyos 3 pies son ajustables en altura y que constituye un punto de anclaje. Está conforme con la norma EN 795 clase B.
- **Evacuación voluntaria:** la persona evacúa sola o con la asistencia de una persona competente un lugar en altura hacia el suelo.
- **Evacuación de salvamento:** la persona en peligro es evacuada por un socorrista.
- **Placa multianclaje:** Permite enganchar varios conectores en un mismo punto de anclaje. Permite orientar y distribuir la carga durante maniobras de salvamento.
- **Polea doble en línea:** Polea equipada con dos roldanas alineadas, bien adaptada para la evacuación en cuerda tensa. Está conforme con la norma EN 12278.



IMPORTANTE: Colocado al comienzo de la línea, designa instrucciones destinadas a evitar una falla o un daño de los equipos, pero que no pone directamente en peligro la vida o la salud del operador o las de otras personas, y/o que no puede ocasionar daño al medioambiente.



NOTA: Colocado al comienzo de la línea, designa instrucciones destinadas a asegurar la eficacia o la comodidad de una instalación, una utilización o una operación de mantenimiento.



Obligación de leer el manual de instrucciones.



ANOTAR EN LA HOJA DE CONTROL:

Anotar las informaciones en la hoja de control recortable que se encuentra en la página central del presente manual.

2.2. Pictogramas



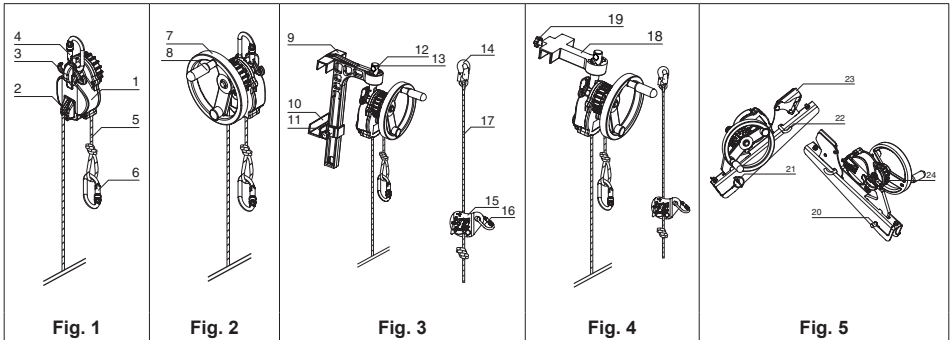
PELIGRO: Colocado al comienzo de una línea, designa instrucciones destinadas a evitar daños a las personas, sobre todo las heridas mortales, graves o ligeras, así como los daños al medio ambiente.

3. Presentación del aparato

3.1. Versiones de los aparatos

Designación comercial	derope™ STD Fig. 1	derope™ UP A Fig. 2	derope™ UP B Fig. 3	derope™ UP K Fig. 4	derope™ UP R Fig. 5
Descripción	Descensor derope™ estándar.	Descensor derope™ con Recuperador.	Descensor derope™ con recuperador equipado con una gran consola.	Descensor derope™ con recuperador equipado con una consola pequeña.	Descensor derope™ con recuperador entregado con una consola para tripode de maniobra.
Descripción funcional	Descensor de persona a velocidad controlada y con funcionamiento pendular.	Descensor derope™ STD equipado con una función de salvamento por elevación accionada mediante un volante de maniobra.	Descensor derope™ UP A equipado con una consola de fijación para escalera con bloqueo.	Descensor derope™ UP A equipado con una consola de apoyo para escalera.	Descensor derope™ UP A equipado con una consola de fijación para el tripode de maniobra tracpode de Tractel®.
Composición de la entrega	- Descensor. - Driza. - 3 conectores.	- Manual + certificado de conformidad.	- Descensor. - Driza. - 2 conectores. - Correa de aseguramiento equipada con 2 conectores y con el dispositivo de ajuste de la longitud LCM 05. - Consola de fijación o de apoyo. - Manual + certificado de conformidad.	- Descensor. - Driza. - 2 conectores.	- Descensor. - Driza. - 2 conectores. - Consola de fijación equipada con bulón de amarre para el tripode. - Manual + certificado de conformidad.

3.2. Esquemas de los aparatos



- 1: cárteres
- 2: mordaza bloqueadora
- 3: guía de driza del aparato
- 4: conector superior
- 5: driza
- 6: conector de extremo de driza
- 7: volante de maniobra
- 8: manivela escamoteable
- 9: consola de fijación para escalera con bloqueo
- 10: corredera de bloqueo
- 11: eje de bloqueo
- 12: eje de enganche
- 13: pasador de unión
- 14: conector de correa de aseguramiento
- 15: dispositivo de ajuste LCM 05
- 16: conector del dispositivo de ajuste LCM 05
- 17: correa de aseguramiento
- 18: consola pequeña de apoyo
- 19: eje de bloqueo
- 20: bulón de amarre
- 21: pasador anclaje
- 22: guía de driza de consola
- 23: bloqueador de driza
- 24: tornillo de bloqueo

3.3. Conformidad con las reglamentaciones

- EN 341 clase A: descensor de alta capacidad de descenso.
- EN 1496 clase A: sistema de salvamento para elevación hacia arriba.
- Artículo 11 B de la Directiva 89/686/CEE, bajo el control de un organismo notificado: APAVE SUDEUROPE, CS60193, F-13322 Marseille, Cedex 16, France, identificado por el número 0082.
- El equipo es idéntico al E.P.I. que fue objeto del examen CE de tipo expedido por la APAVE SUDEUROPE, CS60193, F-13322
- Marseille, Cedex 16, France, identificado por el número 0082, y probado según las normas EN 341 clase A de 1993, EN 1496 clase A de 2006.

4. Función y descripción

4.1. Funciones

4.1.1. Función descensor

Esta función permite descender a 1 ó 2 personas a una velocidad regulada comprendida entre 0.5 y 2 m/s gracias a un sistema de freno centrífugo que funciona en los 2 sentidos. El aparato puede ser utilizado en modo pendular. La función descensor está presente en todos los modelos del aparato derope™ de la gama Tractel®.

4.1.2. Función recuperador

Esta función permite evacuar hacia arriba a la persona a socorrer.

- Puede ser realizada mediante un volante de maniobra equipado con una manivela escamoteable y accionado por el socorrista. La velocidad de subida es del orden de 1 m/min.
- Puede ser realizada mediante una herramienta portátil de tipo taladradora / atornilladora colocada en el extremo del piñón en el centro del volante de maniobra que está equipado con un terminal hexagonal. La velocidad de subida es del orden de 5 m/min.

Esta función está presente en los aparatos derope™ UP A / UP B / UP K / UP R.

4.1.3. Función desaceleración o parada de descenso

Haciendo pasar el ramal libre de la driza del aparato por la guía de cuerda, el socorrista puede desacelerar e incluso parar manualmente el descenso. Para mantener parado el aparato, el ramal libre debe ser introducido en la mordaza bloqueadora presente en el aparato. Esta función está presente en todos los modelos de aparatos derope™ de la gama Tractel®.

4.1.4. Función de amarre

4.1.4.1. Aparato derope™ STD y UP A

Estos 2 aparatos se fijan mediante un conector situado en la parte superior del aparato en todo punto de anclaje que cumpla con las exigencias de la norma EN 795 o cualquier otra estructura que tenga una resistencia superior a 10 kN (1 tonelada).

4.1.4.2. Aparato derope™ UP B

Este aparato está equipado con una consola de fijación para escaleras. Esta consola debe ser bloqueada en 2 barrotes de escalera consecutivos, y debe ser asegurada obligatoriamente con la correa de aseguramiento según las recomendaciones del § 6.

4.1.4.3. Aparato derope™ UP K

Este aparato está equipado con una consola de apoyo sobre barra o escalera. Esta consola debe ser bloqueada y asegurada obligatoriamente con la correa de aseguramiento según las recomendaciones del § 6.

4.1.4.4. Aparato derope™ UP R

Este aparato está equipado con una consola de fijación destinada a ser fijada exclusivamente en el trípode de maniobra trápode de Tractel®. Esta consola debe ser bloqueada en una de las patas del trípode mediante su bulón de amarre.

4.2. Accesorios

La bolsa especial para el aparato derope™ con su bobina está diseñada para recibir el aparato derope™ STD o el aparato derope™ UP A con hasta 80 metros de driza. Esta bolsa permite un transporte y una manipulación fáciles del equipo durante las intervenciones de salvamento. Los aparatos derope™ pueden recibir como opción un carrito destinado a desenrollar y suprimir el riesgo de enredo de la driza en el momento de su utilización.

4.3. Especificaciones técnicas y utilización del producto con materiales utilizados

Designación comercial	derope™ STD	derope™ UP A	derope™ UP B	derope™ UP K	derope™ UP R
Peso (kg)	1.9	3.0	6.1	4.6	6.5
Dimensiones indicativas (h x l x p)	170 x 120 x 105	225 x 200 x 165	430 x 200 x 315	265 x 200 x 325	485 x 265 x 165
Torno de recuperación	Sin objeto	Sí			
Carga máxima de recuperación	Sin objeto	120 kg			
Esfuerzo en la manivela del volante de maniobra	Sin objeto	5 kg			
Normas	EN 341 Clase A	EN 341 Clase A + EN 1496 clase A			
Velocidad de descenso	Comprendida entre 0.5 m/s y 2 m/s				
Driza	Driza Tractel® diámetro 10.5 mm				

4.4. Driza

⚠ PELIGRO: Sólo la driza Tractel® entregada en el aparato está homologada para su utilización en el aparato derope™ de Tractel®. Esta driza puede ser entregada en longitudes que van de 10 a 400 m según las condiciones comerciales de Tractel®.

5. Productos asociados

5.1. Dispositivos de presión del cuerpo

- Arnés anticaída conforme a la norma EN 361. La persona a socorrer debe estar conectada en los puntos de enganche anticaída. Un punto de enganche anticaída está marcado con una A si puede ser utilizado solo o con una A/2 si debe ser utilizado junto con otro punto anticaída marcado con una A/2.
- Arnés de salvamento o correa de salvamento conformes con las normas EN 1497 o EN 1498. La persona a socorrer debe estar conectada en el punto de enganche de salvamento identificado por una etiqueta colocada cerca del punto de enganche.

5.2. Dispositivos de anclaje

- Los dispositivos de anclaje deben cumplir con las exigencias de la norma EN 795. Deben resistir una carga mínima de 10 kN (1 tonelada).
- El aparato derope™ UP R está diseñado especialmente y homologado para ser fijado en una pata del trípode de maniobra trapcode de Tractel®.

⚠ PELIGRO: Está prohibida toda utilización similar con un trípode de cualquier otra procedencia.

5.3. Polea doble en línea

- Polea equipada con dos roldanas alineadas, bien adaptada a la evacuación en cuerda tensa.

5.4. Placa multianclaje

- La placa multianclaje permite enganchar varios conectores en un mismo punto de anclaje. Permite

orientar y distribuir la carga durante las maniobras de salvamento.

5.5. Taladradora / atornilladora

- Taladradora / atornilladora de una potencia mínima de 300 W utilizable para los derope™ UP a fin de asistir al operador durante la evacuación hacia arriba.
- En caso de utilización de una taladradora / atornilladora inalámbrica, esta debe tener una batería de 14 V como mínimo para tener la potencia necesaria para esta operación.

6. Instalación

6.1. Disposiciones previas a la instalación

1. La instalación del aparato derope™ debe ser realizada por una persona formada y competente.
2. La instalación y utilización de los aparatos derope™ deben ser realizadas conforme con la legislación y la reglamentación del país.

6.2. Verificaciones antes de la instalación

⚠ PELIGRO: Las verificaciones descritas a continuación deben ser realizadas en cuanto sea posible utilizar el aparato derope™, para evitar que una situación de urgencia impida proceder a estas verificaciones.

1. Verificación visual de la estructura de recepción:
 - Punto de anclaje para los aparatos derope™ STD y UP A: conforme con la norma EN 795 o de resistencia mínima de 10 kN (1 tonelada).
 - Escalera para las aparatos derope™ UP B y UP K:
 - Montantes no deformados, correctamente fijados en la pared: resistencia mínima de 10 kN (1 tonelada).
 - Barrotes en los cuales se va a colocar la consola no deformados.
 - Trípode de maniobra trapcode de Tractel® para los aparatos derope™ UP R.

- Patas telescópicas no deformadas, no dobladas.
 - Presencia de dos patines de caucho debajo de las patas.
 - Presencia de una polea de desvío en la cabeza del trípode trapcode.
 - Ausencia de rastros de deformación y corrosión en la cabeza del trípode trapcode.
 - Presencia del bulón antisalto de driza de la polea de desvío.
2. Verificación visual de la driza en toda su longitud, así como de sus extremos para cerciorarse de la integridad de la funda de la driza y de la regularidad de su diámetro.
 3. Verificación del funcionamiento del aparato mediante un movimiento manual de la driza en el aparato a lo largo de una longitud mínima de 1 m en los 2 sentidos para cerciorarse de que la resistencia al desplazamiento aumenta con la velocidad de desplazamiento.
 4. Verificación del buen estado de los cárteres: ausencia de daños importantes, presencia y legibilidad de todos los marcados.
 5. Verificación de los conectores: ausencia de deformación y de corrosión, cierre y bloqueo funcionales.
 6. Verificación de las consolas para los aparatos derope™ UP B / UP K / UP R: ausencia de deformación y de corrosión, bloqueo funcional.
 7. Verificación de las correas de aseguramiento para los aparatos derope™ UP B y UP K: verificación de la driza, los conectores, y el dispositivo de ajuste de la longitud.
 8. Verificación de todos los productos asociados según las recomendaciones de sus respectivos manuales.
 9. Cerciorarse de que el aparato derope™ ha sido objeto de un control periódico durante los últimos 12 meses.
 10. Cerciorarse de que el aparato derope™ tiene el potencial en número de descensos consecutivos o no, en altura de descenso o en carga a evacuar para realizar la operación: ver el cuadro 2 del § 7-1.

⚠ PELIGRO: En caso de que se constate una anomalía durante estas verificaciones, el aparato debe ser bloqueado para evitar toda utilización de éste, y luego debe ser objeto de una reparación por una persona formada y competente (ver § 10-1).

6.3. Colocación del aparato derope™

6.3.1. Aparato derope™ STD y aparato derope™ UP A

1. Identificar o disponer el punto de anclaje para recibir el aparato derope™.
2. Cerciorarse de que el punto de anclaje está conforme con la EN 795 o que presenta una resistencia superior a 10 kN (1 tonelada).
3. Fijar el aparato derope™ mediante su conector superior en el punto de anclaje previsto para realizar la operación de salvamento, por encima de la persona a evacuar.
4. Bloquear el conector.
5. Arrojar la driza hacia abajo cerciorándose de que no está enredada, que no presenta nudos y que no roza contra una arista viva y que llega al suelo.
6. Verificar la ausencia de todo obstáculo en el trayecto de la evacuación y en la zona de recepción. Ejemplos: cables eléctricos, varillas de hierro para hormigón, superficie acristalada.

6.3.2. Aparato derope™ UP B (Fig. 6)

1. Colocar la consola grande bloqueable en el barrote de la escalera en la posición escogida para realizar la operación de salvamento, por encima de la persona a evacuar (Fig. 6, 1).
2. Hacer subir la corredera de bloqueo hasta el nivel del barrote inmediatamente debajo de aquel que recibe la consola grande (Fig. 6, 2).
3. Apretar el eje de bloqueo de la corredera utilizando el botón de apriete que se encuentra en el costado de la consola (Fig. 6, 3).
4. Colocar la correa de aseguramiento:
 - Fijar el conector del dispositivo de ajuste LCM 05 en el agujero de la parte superior del eje de enganche (Fig. 6, 4.1).
 - Pasar la correa de aseguramiento alrededor del barrote de la escalera situado encima de la consola rodeando uno de los montantes de la escalera (Fig. 6, 4.2).
 - Conectar el conector de la correa de aseguramiento en el conector del dispositivo de ajuste LCM 05 (Fig. 6, 4.3).
 - Tensar la correa de aseguramiento tirando del ramal libre (Fig. 6, 4.4).
5. Arrojar la driza hacia abajo cerciorándose de que no está enredada, que no presenta nudos y que no roza contra una arista viva y que llega al suelo.
6. Verificar la ausencia de todo obstáculo en el trayecto de la evacuación y en la zona de recepción. Ejemplos: cables eléctricos, varillas de hierro para hormigón o superficie acristalada.
7. Orientar el aparato derope™ según la necesidad modificando la posición del eje de enganche en el dispositivo de indexación (Fig. 6, 7.1 – 7.2).

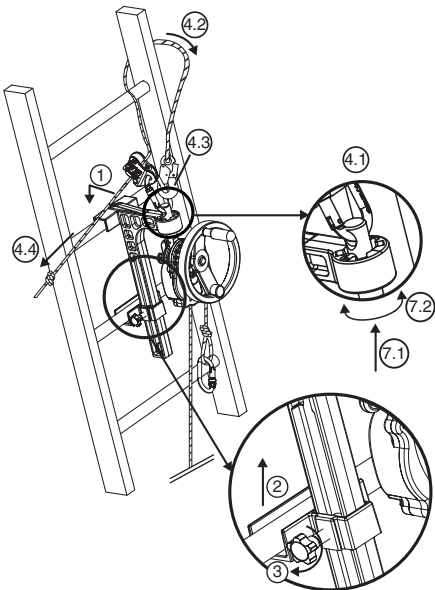


Fig. 6

6.3.3. Aparato derope™ UP K (Fig. 7)

- Colocar la consola de apoyo pequeña en el barrote de la escalera en la posición requerida para realizar la operación de salvamento, por encima de la persona a evacuar (Fig. 7, 1).
 - Apretar el eje de bloqueo que se encuentra en la parte trasera de la consola de apoyo mediante el botón de apriete (Fig. 7, 2).
 - Colocar la correa de aseguramiento:
 - Fijar el conector del dispositivo de ajuste LCM 05 en el agujero de la parte superior del eje de enganche (Fig. 7, 3.1).
 - Pasar la correa de aseguramiento alrededor del barrote de la escalera situado encima de la consola rodeando uno de los montantes de la escalera (Fig. 7, 3.2).
 - Conectar el conector de la correa de aseguramiento en el conector del dispositivo de ajuste LCM 05 (Fig. 7, 3.3).
 - Tensar la correa de aseguramiento tirando del ramal libre (Fig. 7, 3.4).
- ⚠ PELIGRO: Hay riesgo de caída y de accidente mortal si la correa de aseguramiento no es instalada correctamente.**
- Arrojar la driza hacia abajo cerciorándose de que no está enredada, que no presenta nudos, que no roza contra una arista viva y que llega al suelo.

- Verificar la ausencia de todo obstáculo en el trayecto de la evacuación y en la zona de recepción. Ejemplos: cables eléctricos, varillas de hierro para hormigón y superficie acristalada.
- Orientar el aparato derope™ según la necesidad modificando la posición del eje de enganche en el dispositivo de indexación (Fig. 7, 6.1 – 6.2).

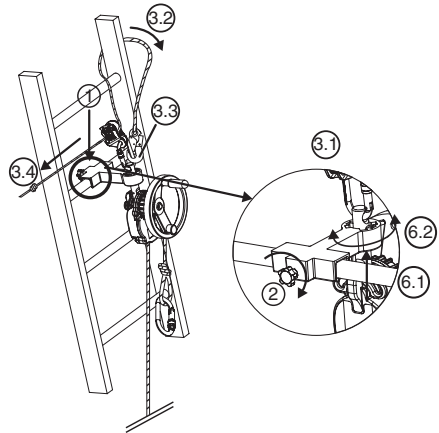


Fig. 7

6.3.4. Aparato derope™ UP R (Fig. 8, 9 y 10)

El aparato derope™ UP R debe ser fijado en la pata del trípode trápode de Tractel® como está indicado en la Fig. 8. Cualquier otra fijación en otro punto del trípode trápode de Tractel® está prohibida.



Para poder utilizar un aparato derope™ UP R en una de las 3 patas de trípode trápode, este debe estar equipado con una polea de desvío en la parte superior, o con 2 poleas si se emplea otro aparato en el mismo trípode trápode (dispositivo anticaída de retorno automático blocfor™ o torno caRol™). Si el aparato derope™ UP R no es instalado en la consola para trápode de Tractel®, proceder a su colocación según las instrucciones indicadas a continuación:

- Destornillar el tornillo de bloqueo del gancho de enganche de la consola para aparato derope™ UP R (Fig. 8.1).
- Colocar el aparato derope™ UP R en el gancho de enganche (Fig. 8, 2.1 – 2.2).
- Volver a atornillar el tornillo de bloqueo para impedir que el aparato se despegue de su consola (Fig. 8, 3) y verificar que está bien colocado y apretado.

Feuille de contrôle – Inspection sheet – Kontrollkarte – Controleblad – Hoja de revisión – Scheda di revisione – Folha de controle
Δελτίο ελέγχου – Kontrollskjema – Kontrollblad – Tarkastuslista – Kontrollblad – Karta kontrolna – Контрольный листок

Type de produit Type of product Produktbezeichnung Produkttype Tipo de producto Tipo di prodotto Τύπος προϊόντος Προϊκτύπος Продукты Typ produktu Тип изделия	Référence produit Product references Codenummer Produktcode Referencia producto Riferimento prodotto Κωδικός προϊόντος Produktreferans Koodum viitenumber Priloga izdelava Oznaczenie produktu Номер изделия	Número de série Serial number Seriennummer Numero di serie Número de série Σειράκός αριθμός Seriennummer Serianumero Serijunumber Numer serijny Номер Серии	Nom de l'utilisateur Name of user Name des Benutzers Naam van de gebruiker Nombre del usuario Nome dell'utilizzatore Nome do utilizador Όνομα του Χρήστη Brukerens navn Användarens namn Käyttäjän nimi Використачувач Nazývskó uzývkoník Фамилия пользователя
Date de fabrication Date of manufacture Herstellertum Fabricagedatum Fecha de fabricación Data di produzione Data de fabrico Ημερομηνία κατασκευής Fabricasjonsdato Tilværingstidatum Valmistuspäivä Fabricationsdato Data produkcji Дата производства	Date d'achat Date of purchase Køstidspunkt Aankoopdatum Fecha de compra Data di acquisto Data de compra Ημερομηνία αγοράς Kjøpedato Inkoopdatum Ostoppäivä Kobsdato Data zakupu Дата покупки	Date de mise en service Date of first use Dato for første bruk Datum i brukstart Fecha de puesta en servicio Data di messa in servizio Data de entrada em serviço Ημερομηνία θέσης σε λειτουργία Dato for bruk første gang Första användningsdagen Käyttöönottopäivä Dato for brukslagnig Data przekazania do użytku Дата ввода в эксплуатацию	

Vérification – Inspection – Prüfung – Kontrolle – Tarkastus – Eftersyn – Kontrolle – Verificaciones – Verifiche
Verificação – Έλεγχος – Kontroll – Kontroll – Tarkastus – Eftersyn – Kontrolle – Проверка

		Date Datum Datum Datum Fecha Data Data Ημερομηνία Datum Päivä Data Data Дата	Date du prochain examen Date of next inspection Datum der nächsten Prüfung Datum van het volgende onderzoek Fecha del próximo examen Data della prossima ispezione Data do próximo exame Ημερομηνία του επόμενου ελέγχου Date of the next inspection Neste inspeksjonens datum Seuraavan tarkastuksen päivämäärä Data nașterego pzeșlagu Data nasledușej проверки	Nom du contrôleur Name of inspector Name des Prüfers Naam van de controleur Nombre del controlador Nome del controllore Όνομα του ελεγκτή Nome do controlador Dato for kontrolløren Tarkastajan nimi Kontrollörens namn Beskrivning av personens namn Nazývskó kontrollyže Фамилия проверяющего	Visa Signature Unterschrift Gezien Firma Firma Visto Ευχαριστώ Stämpel Hykskysntä Underskrift Pozwolenie Виза	Réparation – Repairing Reparatur – Herstelling Reparación – Riparazione Reparaçào – Επιδιόρθωση Reparasjon – Reparation Korjaus – Reparatur Нарва – Починка
---	---	--	---	--	---	--

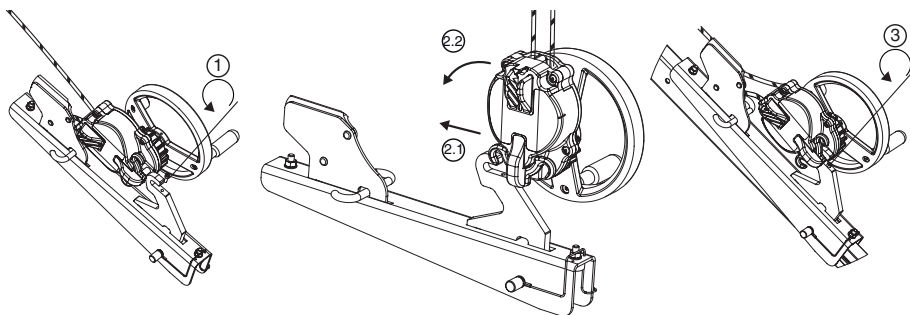


Fig. 8

Cuando el aparato derope™ UP R es instalado en la consola para trápode de Tractel®.

1. Disponer el trípode trápode de Tractel®, no desplegado en el suelo.
2. Ajustar las patas del trípode trápode de Tractel®, para obtener la altura deseada: ver el manual de instrucción del trípode trápode.
3. Escoger la pata del trípode trápode de Tractel® que incluye una polea de desvío en su parte superior; en esta pata, retirar el pasador de bloqueo.
4. Colocar el agujero de amarre de la consola frente al agujero de bloqueo de la pata del trípode trápode de Tractel®.



IMPORTANTE: Tener cuidado con el sentido de montaje: el bloqueador de driza debe estar dirigido hacia la parte superior del trípode trápode (Fig. 9).

5. Colocar el bulón de amarre de la consola para aparato derope™ UP R. Este bulón de amarre cumple dos funciones: bloqueo de la pata del trípode trápode y amarre de la consola para aparato derope™ UP R en esta pata (Fig. 9, 5).
6. Bloquear el bulón de amarre mediante el pasador sujetador (Fig. 9, 6).
7. Desplegar totalmente los 3 pies del trípode trápode.
8. Retirar el husillo de bola que se encuentra encima de la polea de desvío en la parte superior del trípode trápode (Fig. 10, 8).
9. Pasar la driza del aparato derope™ alrededor de la polea de desvío (Fig. 10, 9).
10. Volver a colocar el husillo de bola para impedir que la driza se salga de la polea de desvío (Fig. 10, 10).
11. Abrir el bloqueador de driza de la consola (Fig. 9, 11).

12. Introducir la driza que sale del aparato derope™ en el bloqueador de driza de la consola (Fig. 9, 12).

13. Arrojar la driza hacia abajo cerciorándose de que no está enredada, que no presenta nudos, que no roza contra una arista viva y que llega al suelo.

14. Cerrar el bloqueador de driza (Fig. 9, 14).

15. Verificar la ausencia de todo obstáculo en el trayecto de la evacuación y en la zona de recepción. Ejemplos: cables eléctricos, varillas de hierro para hormigón y superficie acristalada.

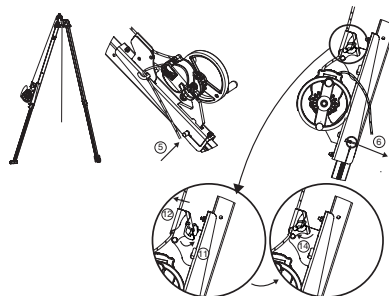


Fig. 9

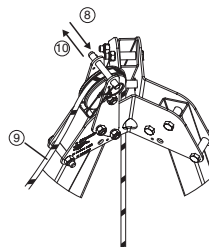


Fig. 10

6.3.5. derope™ UP con taladradora / atornilladora

⚠ PELIGRO:

- Antes de colocar la taladradora / atornilladora en el extremo del eje del volante del aparato derope™ UP R, cerciorarse de que la manivela escamoteable del volante de maniobra está bien replegada.
- Colocar el mandril de la taladradora / atornilladora alrededor del terminal hexagonal en el extremo del eje del volante de maniobra.
- Bloquear el mandril en el eje con su terminal hexagonal.

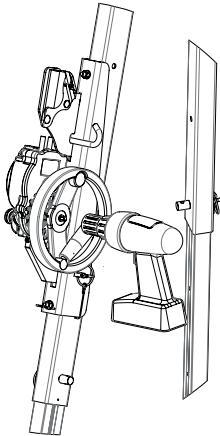


Fig. 11

7. Utilización

7.1. Recomendaciones de utilización y límites de utilización del aparato derope™

⚠ PELIGRO: los aparatos derope™ pueden ser utilizados cuando se realizan trabajos en altura. Por este motivo, se recuerda encarecidamente que los trabajos en altura están sujetos a las siguientes disposiciones.

- Las personas que trabajan en altura deben estar en plena posesión de sus medios físicos y psicológicos.
- Las personas que trabajan en altura deben estar especialmente formadas para este fin.
- Los trabajos en altura están prohibidos para mujeres embarazadas.
- La realización de trabajos en altura debe estar precedida de la elaboración de un plan de salvamento.

En caso de evacuación voluntaria, los aparatos derope™ son utilizados exclusivamente por personas formadas y competentes o en su defecto bajo la vigilancia de una persona habilitada.

En caso de evacuación de salvamento, las operaciones de salvamento son realizadas exclusivamente para personas formadas y habilitadas para este fin.

Las recomendaciones de utilización de los diferentes modelos de aparatos derope™ se proporcionan en el siguiente cuadro.

Utilización	derope™ STD	derope™ UP A	derope™ UP B	derope™ UP K	derope™ UP R
Evacuación voluntaria vertical	Sí	Sí	Sí (*)	Sí (*)	No
Evacuación voluntaria en plano inclinado	Sí	Sí	No	No	No
Evacuación de salvamento	(***)	Sí	Sí (*)	Sí (*)	Sí (**)

*: utilización en escalera únicamente.

** : utilización en trípode/trapcode de Tractel® encima de una abertura en el vacío, como un pozo, un silo, etc.

***: No, si utilización de un aparato derope™ solo, sí, si utilización de un aparato derope™ con un aparato de elevación de persona que permita subir a la persona a evacuar para aflojar el sistema anticaída.

⚠ PELIGRO: en descenso, la utilización del aparato derope™ está limitada en carga, en altura de descenso y en número de descensos repetidos.

descenso y en número de descensos repetidos según los límites indicados en el siguiente cuadro.

En caso de descenso único:

- la carga máxima es de 225 kg para una altura de descenso máximo de 200 m.
- la altura de descenso máxima es de 400 m para una carga máxima de 150 kg.

En caso de descensos repetidos, la utilización del aparato derope™ está limitada en carga, en altura de

Altura de descenso		Número máximo de descensos repetidos			
		< 50 m	< 125 m	< 200 m	< 400 m
Carga de utilización	Inf. a 100 kg	60	24	15	7
	Sup. a 100 kg e Inf. a 150 kg	20	8	5	2
	Sup. a 150 kg e Inf. a 225 kg	6	2	1	Prohibido

⚠ PELIGRO: Después de cada utilización, en descenso único o descensos repetidos, el aparato derope™ debe ser objeto de una verificación por una persona formada y competente para esta operación.

⚠ PELIGRO: Hay que vigilar la altura acumulada de descenso. Si la altura acumulada de descenso rebasa los límites indicados en el cuadro del § 10-1, sea cual sea el tiempo tomado para llegar a esta acumulación, el aparato debe ser objeto de una revisión según el § 10-1, que debe ser realizada para una persona formada y competente para esta operación.

El aparato puede ser utilizado entre -35°C y +50°C.

⚠ PELIGRO: Para ser utilizado a temperaturas negativas (entre -35°C y 0°C), el aparato debe estar seco, incluida la driza.

⚠ PELIGRO: La persona que utiliza un aparato derope™ debe tener un peso superior a 30 kg.

⚠ PELIGRO: Para evitar todo riesgo de quemadura, está prohibido tocar el aparato derope™ durante el funcionamiento y antes de que se enfríe.

7.2. Evacuación voluntaria vertical

Este tipo de evacuación debe ser realizada con el aparato derope™ STD, el aparato derope™ UP A, el aparato derope™ UP B o el aparato derope™ UP K, estando destinados los últimos dos modelos a ser utilizados desde una escalera.

La persona a evacuar debe estar equipada con un arnés anticaída (EN 361), un arnés de salvamento (EN 1497) o una correa de salvamento (EN 1498 clase A o B).

Durante la evacuación voluntaria vertical, la persona no debe alejarse más de 20° con respecto a la vertical para evitar un efecto de balanceo excesivo.

1. Después de haber instalado el aparato derope™ conforme a las instrucciones del § 6, proceder como sigue.
2. Enganchar la persona a evacuar o engancharse a sí mismo mediante el conector en el extremo del ramal de evacuación del aparato derope™ a:

– un punto de enganche del arnés de anticaída EN 361: esos puntos están marcados A si pueden ser utilizados solos o A/2 si deben utilizados junto con otro punto de enganche marcado A/2.

– un punto de enganche del arnés de salvamento EN 1497 o de la correa de salvamento EN 1498 clase A o B que están identificados por una etiqueta cerca de este punto de enganche.

3. Tirar del ramal libre de la driza para tensar el ramal de evacuación.
4. Pasar el ramal libre de la driza por la guía de driza y luego por la mordaza bloqueadora.
5. Si es necesario, cerciorarse de que la manivela del volante de maniobra del aparato derope™ UP está escamoteada.
6. Poner a la persona a evacuar por encima del vacío: esta no desciende debido a que la driza está bloqueada por la mordaza bloqueadora.
7. Iniciar el descenso liberando el ramal libre de la driza de la mordaza bloqueadora.
8. Una vez que llega al suelo, desenganchar a la persona.
9. Puesto que el conector del ramal libre ha subido hacia el aparato derope™ durante la evacuación, si hay otra persona a evacuar, repetir los puntos 1 al 7.
10. En caso de descensos repetidos, respetar el número máximo de descensos indicados en el cuadro del § 7.1.

7.3. Evacuación voluntaria en plano inclinado (Fig. 12)

Este tipo de evacuación debe ser realizada con el aparato derope™ STD o el aparato derope™ UP A.

El lugar por evacuar debe estar equipado con un cable o una cuerda tensados que forme con la vertical un ángulo comprendido entre 30° y 60°. Se debe colocar una polea doble en línea con una placa multianclaje en la parte superior del cable.

La persona a evacuar debe estar equipada con un arnés de anticaída que posea de preferencia, por razones de comodidad, un punto de enganche esternal (EN 361), un arnés de salvamento (EN 1497) o una correa de salvamento (EN 1498 clase B).

1. Después de haber instalado el aparato derope™ conforme a las instrucciones del § 6, conectar el ramal de evacuación del aparato derope™ en la placa multianclaje, unida rigidamente a la polea doble en línea.
2. Colocar una correa provista de sus 2 conectores entre la placa de anclaje de la polea doble en línea y:
 - un punto de enganche del arnés de anticaída EN 361. Estos puntos están marcados A si pueden ser utilizados solos o A/2 si deben ser utilizados junto con otro punto de enganche marcado A/2.
 - un punto de enganche del arnés de salvamento EN 1497 o de la correa de salvamento EN 1498 clase B que está identificado por una etiqueta cerca de este punto de enganche.
3. Tirar el ramal libre del aparato derope™ para tensar el ramal de evacuación.
4. Pasar el ramal libre de la driza por la guía de driza y luego por la mordaza bloqueadora.
5. Cerciorarse de que la manivela del volante de maniobra del aparato derope™ UP está escamoteada.
6. Dejarse deslizar a lo largo del cable o de la cuerda tensados.
7. Iniciar el descenso liberando el ramal libre de la mordaza bloqueadora.
8. Una vez que ha llegado al suelo, desenganchar a la persona y la polea doble en línea.
9. Puesto que el conector del ramal libre ha subido hacia el aparato derope™ durante la evacuación, si hay otra persona a evacuar, repetir los puntos 1 al 8.

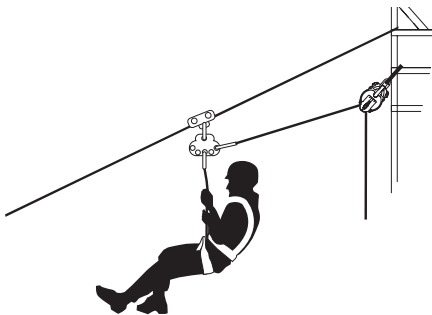



Fig. 12

7.4. Evacuación de salvamento de una persona

 **NOTA:** El presente capítulo no constituye en ningún caso un procedimiento de salvamento. Su objeto es describir la utilización correcta de los aparatos derope™ mediante un ejemplo.

Toda operación de salvamento debe ser realizada exclusivamente por una persona formada y habilitada para las operaciones de salvamento.

Antes de emprender una operación de salvamento, es necesario prevenir a los servicios de primeros auxilios. Durante toda la duración del descenso, el socorrista deberá tener un contacto visual con la persona a evacuar para poder actuar si es necesario.

Las operaciones de salvamento descritas en este capítulo son realizadas con un aparato derope™ UP con recuperador que incluye un volante de maniobra en personas equipadas con un sistema anticaída. En la medida de lo posible, el socorrista intervendrá al nivel de la persona a evacuar. En caso contrario, el socorrista intervendrá al nivel del punto de anclaje del sistema anticaída de la persona a evacuar.

En el siguiente ejemplo, la persona a evacuar está equipada con un sistema anticaída y acaba de caerse. El socorrista interviene en contacto con la persona a evacuar.

1. Después de haber accedido al lado de la persona a evacuar y después de haber instalado el aparato derope™ conforme a las instrucciones del § 6, enganchar a la persona a evacuar mediante el conector del extremo del ramal de evacuación del aparato derope™ a:
 - un punto de enganche del arnés de anticaída EN 361: estos puntos están marcados A si pueden ser utilizados solos o A/2 si deben ser utilizados junto con otro punto de enganche marcado A/2.
 - un punto de enganche del arnés de salvamento EN 1497 o de la correa de salvamento EN 1498 clase B que están identificados por una etiqueta cerca de este punto de enganche.
2. Mediante el volante de maniobra, subir a la persona a evacuar para aflojar el sistema anticaída.
3. Pasar el ramal libre de la driza por la guía de driza y luego por la mordaza bloqueadora.
4. Escamotear la manivela del volante de maniobra del aparato derope™ UP.
5. Desconectar a la persona a evacuar de su sistema anticaída al nivel del punto de enganche.
6. Iniciar el descenso liberando el ramal libre de la mordaza bloqueadora.

7.5. Subida de una persona

Durante la utilización del aparato derope™ UP R en una consola del trípode trapcode de Tractel®, es posible subir a una persona:

- ya sea accionando el volante de maniobra manualmente,
- ya sea utilizando la asistencia de una taladradora / atornilladora.

⚠ PELIGRO: Es imperativo plegar correctamente la manivela escamoteable antes de utilizar la taladradora / atornilladora para accionar el aparato derope™ UP R.

⚠ PELIGRO: Es imperativo sujetar la taladradora / atornilladora con las 2 manos durante la operación de subida de una persona.

⚠ PELIGRO: Es imperativo no soltar la taladradora / atornilladora mientras que la persona a evacuar esté suspendida del aparato derope™ UP R.

8. Utilizaciones erróneas prohibidas

Está terminantemente prohibido:

1. Instalar o utilizar un aparato derope™ sin haber sido autorizado, formado y reconocido competente para esto o, en su defecto, sin estar bajo la responsabilidad de una persona autorizada, formada y reconocida como competente.
2. Utilizar un aparato derope™ si una de las marcas en el aparato no está presente o no es legible.
3. Instalar o utilizar un aparato derope™ que no ha sido objeto de las verificaciones previas (ver el § 6-2).
4. Utilizar un aparato derope™ que no ha sido objeto de un control periódico desde hace menos de 12 meses, por un técnico que autorizó su reutilización por escrito (ver el §10-1).
5. Utilizar un aparato derope™ fuera del marco de operaciones de evacuación o de salvamento de personas.
6. Utilizar cualquier otra driza que no sea la driza Tractel S.A.S para el aparato derope™.
7. Fijar un aparato derope™ en un punto de anclaje que no cumple con las exigencias de la norma EN 795. El punto de anclaje debe tener una resistencia mínima de 10 kN.
8. Enganchar un aparato derope™ mediante otros dispositivos que no sean aquellos que han sido previstos por Tractel S.A.S.
9. Instalar un aparato derope™ sin que este último se encuentre por encima de la persona a evacuar.
10. Utilizar un aparato derope™ sin haber verificado previamente el espacio disponible alrededor de la persona a socorrer durante su descenso o su ascensión.
11. Utilizar los aparatos derope™ UP B y UP K sin colocar la correa de aseguramiento.
12. Utilizar un aparato derope™ UP R en un trípode que no sea el trípode trapcode de Tractel S.A.S.
13. Utilizar un aparato derope™ más allá de la vida útil prevista por Tractel S.A.S.
14. Utilizar un aparato derope™ más allá de la carga máxima autorizada o la altura de descenso máximo autorizada.
15. Utilizar un aparato derope™ con una persona cuyo peso es inferior a 30 kg.
16. Utilizar un aparato derope™ en descensos repetidos más allá del número máximo de descensos autorizados.
17. Utilizar un aparato derope™ en el marco de un sistema de parada de caídas en el sentido de la norma EN 363.
18. Utilizar un aparato derope™ como medio de suspensión para la sujeción al puesto.
19. Utilizar un aparato derope™ en una atmósfera explosiva.
20. Exponer un aparato derope™ o su driza a una fuente de calor o de luz directa.
21. Utilizar un aparato derope™ o su driza fuera del intervalo de temperaturas comprendidas entre -35°C y +50°C.
22. Poner un aparato derope™ o su driza en contacto con sustancias químicas agresivas, superficies abrasivas o cortantes.
23. Utilizar un aparato derope™ si el extremo de la driza no llega al suelo.
24. Obstaculizar el autoalineamiento de un aparato derope™ con respecto a la driza.
25. Impedir la libre rotación del volante de maniobra de los aparatos derope™ UP A, B, K o, R.
26. Insertar un elemento cualquiera en los orificios de paso de la driza de un aparato derope™.
27. Abrir un aparato derope™, engrasarlo o, realizar en este cualquier modificación.

28. Proceder a reparaciones de un aparato derope™ sin haber sido formado y reconocido como competente para esto, por escrito, por Tractel S.A.S.
29. Tocar el aparato derope™ sin haberse asegurado de su enfriamiento después de la utilización.
30. Utilizar el aparato derope™ UP R en una consola del trípode trapcode de Tractel® con una taladradora / atornilladora si la manivela escamoteable del volante de maniobra no está replegada.
31. Utilizar el aparato derope™ UP R en una consola del trípode trapcode de Tractel® con una taladradora / atornilladora si el usuario no tiene las 2 manos en la taladradora.
32. Soltar la taladradora / atornilladora si esta está colocada en el extremo del eje del aparato derope™ UP R cuando hay una persona suspendida.

9. Transporte y almacenamiento

Los equipos objetos del presente manual deben ser almacenados y transportados en su embalaje original.

Durante su almacenamiento y/o su transporte, estos equipos deben ser:

1. Conservados secos.
2. Conservados a una temperatura comprendida entre -35°C y +50°C.
3. Protegidos contra las fuentes de calor directo y contra la radiación UV.
4. Protegidos contra las agresiones químicas, mecánicas o cualquier otra agresión.

10. Examen periódico

Es obligatorio un examen periódico anual, pero, en función de la frecuencia de utilización, las condiciones ambientales y la reglamentación de la empresa o el país de utilización, los exámenes periódicos pueden ser más frecuentes.

Los exámenes periódicos deben ser realizados por un técnico autorizado y competente y respetando los modos operativos de examen del fabricante transcritos en el archivo

«Instrucciones de verificación de los EPI Tractel®».

La verificación de la legibilidad del marcado en el producto forma parte integrante del examen periódico.

Al final del examen periódico, la nueva puesta en servicio debe ser notificada por escrito por el técnico autorizado y competente que efectuó el examen periódico. Esta nueva puesta en servicio del producto debe ser registrada en la hoja de control que se encuentra en medio del presente manual. Esta hoja de control debe ser conservada durante toda la vida útil del producto, hasta su puesta fuera de servicio.

Después de haber parado una caída, el presente producto debe obligatoriamente ser objeto de un examen periódico tal como está descrito en el presente artículo. Los posibles componentes textiles del producto deben ser obligatoriamente cambiados, incluso si no presentan ninguna alteración visible.

10.1. Revisión del aparato

⚠ PELIGRO: La revisión del aparato es obligatoria en los siguientes casos:

1. En caso de anomalía constatada durante un control, anual o no, o en cuanto se ha identificado un defecto de funcionamiento o un mal estado aparente.
2. Cuando la acumulación de las alturas de descenso alcanza el límite indicado en el siguiente cuadro, sea cual sea el tiempo tomado para llegar a esta acumulación.

Límite de alturas acumuladas de descenso que activan obligatoriamente la revisión del aparato y el cambio de la driza.		
Carga	Inf. a 100 kg	3000 m
	Sup. a 100 kg e Inf. a 150 kg	1000 m
	Sup. a 150 kg e Inf. a 225 kg	300 m

La revisión del aparato es realizada exclusivamente por una persona formada y competente para realizar las operaciones de mantenimiento, por Tractel® o por un técnico de reparación autorizado.

Es obligatorio proceder al cambio de la driza en cuanto el aparato alcance las alturas acumuladas indicadas en el cuadro de arriba.

11. Vida útil

Los EPI textiles Tractel® como los arneses, correas, cuerdas y absorbedores, los EPI mecánicos Tractel® como los sistemas anticaídas stopcable™ y stopfor™, los sistemas anticaídas de retorno automático blocfor™ y las líneas de vida Tractel® pueden ser utilizados siempre y cuando a partir de su fecha de fabricación sean objeto de:

- una utilización normal respetando las preconizaciones de utilización del presente manual.
- un examen periódico que debe ser realizado como mínimo 1 vez al año por un técnico autorizado y competente. Al final de este examen periódico, el EPI debe ser declarado por escrito apto para su nueva puesta en servicio.
- el respeto estricto de las condiciones de almacenamiento y de transporte mencionadas en el presente manual.

12. Desecho

Al realizar la eliminación del producto, es obligatorio reciclar los diferentes componentes mediante una clasificación de las materias metálicas y mediante una clasificación de los materiales sintéticos.

Estos materiales deben ser reciclados por organismos especializados. Al realizar la eliminación, el desmontaje para la separación de los componentes debe ser realizado por una persona competente.

13. Marcado del producto

13.1. Marcado del descensor derope™

Las etiquetas de los aparatos derope™ están reproducidas en las figuras 13a, 13b y 13c. Estas indican:

- a: la marca comercial: Tractel®.
- b: la designación del producto.
- c: la norma de referencia seguida del año de aplicación.
- d: la referencia del producto: ej. 010042.
- e: el logotipo CE seguido del nº de organismo notificado en el artículo 11 B control de producción 0082.
- f: el año y la semana de fabricación.
- g: el número de serie.
- h: un pictograma que indica que hay que leer el manual antes de la utilización.
- i: verificación visual y funcional antes de la utilización.
- j: diámetro de la driza Tractel®.
- k: intervalo de temperatura de utilización.
- l: cargas límites y longitudes límites de utilización.
- m: no hacer rozar la driza contra una arista viva.
- n: utilización para evacuación simple.
- o: utilización para evacuación en un plano inclinado.
- p: utilización para evacuación simple y de salvamento.

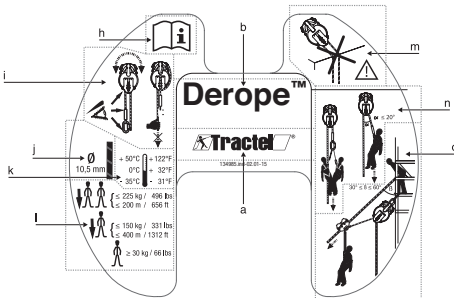


Fig. 13a

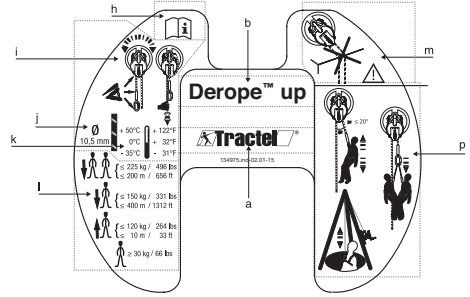


Fig. 13b

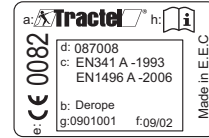


Fig. 13c

13.2. Marcado de la driza

La etiqueta de cada una de las drizas de los descensores derope™ está reproducida en la figura 14. Ésta indica:

- a: la marca comercial: Tractel®.
- y: longitud estándar de la driza.
- z: longitud especial de la driza.

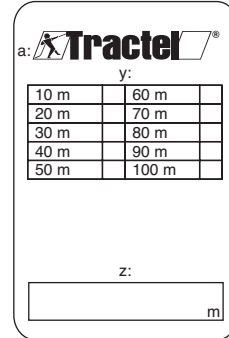


Fig. 14

Indice

1. Prescrizioni obbligatorie	81
2. Definizioni e pittogrammi	82
3. Presentazione dell'apparecchio	84
4. Funzione e descrizione	85
5. Prodotti associati	86
6. Installazione	86
7. Utilizzo	90
8. Utilizzi errati vietati	93
9. Trasporto e stoccaggio	94
10. Verifica periodica	94
11. Durata di vita	94
12. Rottamazione	94
13. Marcaturadel prodotto	95

Nota preliminare:

Al fine di garantire il continuo miglioramento dei suoi prodotti, il Tractel® si riserva di apportare ai materiali descritti nel presente manuale, in qualsiasi momento, qualunque modifica ritenuta utile.

Le società del gruppo Tractel® ed i loro rivenditori autorizzati vi forniranno su richiesta la loro documentazione concernente la gamma degli altri prodotti Tractel®: apparecchi di sollevamento e di trazione e loro accessori, materiale di accesso per cantieri e facciate, dispositivi di sicurezza per carico, indicatori elettronici di carico, ecc.

La rete Tractel® è in grado di fornire un servizio di assistenza e di manutenzione periodica.

1. Prescrizioni obbligatorie

1. E' indispensabile, per la sicurezza d'installazione e d'impiego del materiale e per la sua efficacia, leggere attentamente il presente manuale ed attenersi scrupolosamente alle sue indicazioni prima dell'installazione di questo tipo di apparecchio.
2. Questo manuale deve essere consegnato all'utilizzatore dell'apparecchio derope™ e conservato a disposizione di qualunque operatore-soccorritore. Copie supplementari possono essere fornite da Tractel S.A.S, su richiesta.
3. L'utilizzo, la manutenzione e la gestione dell'apparecchio derope™ devono avvenire sotto la responsabilità di persone a conoscenza della normativa di sicurezza e delle norme applicabili a questo tipo di materiale ed ai dispositivi ad esso associati, e che siano autorizzati a farle rispettare.

Ogni utilizzatore deve aver letto attentamente e ben compreso il presente manuale. Deve accertarsi della compatibilità del Dispositivi di Protezione Individuale associati, tra di loro e con l'apparecchio derope™. La prima messa in esercizio dell'apparecchio derope™ deve essere oggetto di verifica, da parte di un tecnico competente, della conformità dello stato dell'apparecchio per ciò che concerne i controlli prescritti nel presente manuale.

4. Se l'apparecchio derope™ deve essere affidato per il suo utilizzo a personale dipendente o assimilato, è necessario attenersi alla normativa sul lavoro in vigore.
5. Ogni persona che debba utilizzare l'apparecchio derope™ deve possedere le condizioni attitudinali fisiche e professionali per eseguire lavori in altezza ed operazioni di salvataggio. In caso di dubbio consultare il proprio medico o il medico del lavoro. Dovrà aver ricevuto, in condizioni fuori rischio, una idonea formazione preventiva, teorica e pratica, per quanto concerne anche i Dispositivi di Protezione Individuale in conformità alle esigenze di sicurezza. Questa formazione deve comprendere un'informazione completa sui capitoli del presente manuale che riguardano questo utilizzo. L'uso di questo apparecchio è vietato alle donne in gravidanza.
6. L'apparecchio derope™ deve essere utilizzato esclusivamente per l'evacuazione o il salvataggio di persone, in conformità alle indicazioni del presente manuale. Nessun altro uso è autorizzato. In particolare non deve mai essere utilizzato come sistema di sospensione o come componente di un sistema di arresto cadute ai sensi della normativa EN 363.
7. Prima di utilizzare l'apparecchio, è necessario accertarsi della presenza e della leggibilità delle marcature presenti sull'apparecchio. Per qualunque domanda contattare Tractel S.A.S o un suo distributore.
8. L'utilizzo dell'apparecchio derope™ richiede l'associazione e la connessione di Dispositivi di Protezione Individuale anticaduta o di salvataggio. Un'imbracatura anticaduta (EN 361), un'imbracatura di salvataggio (EN 1497), una cinghia di salvataggio (EN 1498 classe A o classe B) sono gli unici dispositivi di presa del corpo che è consentito fare indossare alla persona da soccorrere, durante un'operazione di soccorso, connettendoli all'apparecchio derope™.
9. Ogni punto di ancoraggio a cui deve essere fissato l'apparecchio derope™ deve rispondere alle prescrizioni della norma EN 795 o avere, in standard, una resistenza allo sradicamento di almeno 10 kN (1 tonnellata).

10. Consultare preventivamente Tractel S.A.S prima di ogni utilizzo in ambienti che presentino rischi specifici, principalmente, ed in maniera non esaustiva: ambiente corrosivo o a rischio chimico, ambiente esplosivo, ambiente a rischio elettrico, o radioattivo, ecc....
11. Prima di ogni sequenza di utilizzo, l'operatore soccorritore deve procedere ad un esame visivo dell'apparecchio derope™ e dei Dispositivi di Protezione Individuale associati, per accertarsi che siano in buone condizioni. Dovrà inoltre accertarsi che i DPI siano compatibili e correttamente posizionati e collegati, in conformità alle prescrizioni dei relativi manuali.
12. Prima di utilizzare i dispositivi oggetto del presente manuale, è indispensabile accertarsi che non siano presenti ostacoli sulla traiettoria di evacuazione, e non vi sia rischio di contatto con oggetti pericolosi.
13. Prima di utilizzare questo apparecchio, occorre prendere visione e riferirsi al piano di salvataggio predisposto dal responsabile del sito di intervento.
14. Tractel S.A.S raccomanda di dotare ogni operatore-soccorritore di un mezzo di comunicazione che gli permetta di lanciare un appello d'emergenza in caso d'incidente.
15. In un sistema di arresto cadute, è essenziale verificare lo spazio libero al di sotto dell'operatore soccorritore, sul luogo di lavoro, prima di ogni utilizzo, in modo che, in caso di caduta, non ci sia rischio di collisione col suolo o con eventuali ostacoli sulla traiettoria di caduta. Il tirante d'aria deve essere sufficiente.
16. I dispositivi oggetto del presente manuale sono adatti per un utilizzo a temperature comprese tra -35°C e 50°C. A temperature negative (da -35°C a 0°C), è obbligatorio accertarsi che il dispositivo sia asciutto, fune compresa.
17. Durante l'utilizzo dei dispositivi oggetto del presente manuale è obbligatorio rispettare, in conformità al § 7-1:
- Il carico massimo.
 - Il carico minimo di 30 kg.
 - L'altezza di discesa massima.
 - Il numero di discese ripetute.
 - L'altezza sommata delle discese.
18. Se l'altezza sommata delle discese raggiunge i limiti stabiliti, è obbligatorio procedere alla revisione del dispositivo (vedi § 10-1).
19. L'apparecchio derope™, UP R deve essere utilizzato esclusivamente con il treppiede trapode di Tractel®. E' vietato qualsiasi utilizzo simile con un treppiede di provenienza diversa.
20. Dopo ogni utilizzo, l'apparecchio derope™, ed i relativi Dispositivi di Protezione Individuale dovranno essere tassativamente verificati prima delle rimessa in uso. Detta verifica dovrà essere effettuata in conformità alle indicazioni del presente manuale, da parte di un tecnico competente in materia, che autorizzerà per iscritto il loro riutilizzo. In caso di constatazione visiva di un'anomalia o di dubbio circa lo stato dell'apparecchio derope™ o di un Dispositivo di Protezione Individuale associato, esso dovrà essere ritirato in modo da impedirne l'utilizzo prima della riparazione, a seguito della quale ogni nuovo utilizzo dovrà essere autorizzato per iscritto da un tecnico qualificato e formato. Restituire a Tractel S.A.S o a un suo distributore qualsiasi apparecchio derope™ che presenti un'anomalia o un dubbio.
21. Almeno una volta ogni 12 mesi deve essere previsto un controllo periodico dell'apparecchio derope™ e dei Dispositivi di Protezione Individuale associati, sotto la responsabilità di personale competente che abbia ricevuto una formazione a questo scopo, che ne autorizzerà per iscritto il riutilizzo. Questa formazione può essere fornita da Tractel S.A.S. Questo controllo deve essere effettuato in conformità alla direttiva 89/656/CEE e alle indicazioni del presente manuale e del manuale di manutenzione.
22. Tractel S.A.S declina qualunque responsabilità per le conseguenze derivanti dallo smontaggio dell'apparecchio derope™ o da qualunque modifica apportata al di fuori del suo controllo, in particolar modo in caso di sostituzione della fune da parte di personale non autorizzato.
23. Per garantire un'operazione di evacuazione o di salvataggio in completa sicurezza, se l'apparecchio derope™ viene rivenduto al di fuori del primo paese di destinazione, il rivenditore deve fornire il presente manuale d'istruzioni nella lingua del paese di utilizzo dell'apparecchio derope™.


2. Definizioni e pittogrammi

2.1. Definizioni

- **Discensore:** dispositivo di salvataggio per mezzo del quale una persona può discendere al suolo da un luogo in altezza, a velocità controllata, da solo o con l'aiuto di un soccorritore. E' conforme alla norma EN 341.
- **Utilizzatore:** Persona o servizio responsabile della gestione e della sicurezza di utilizzo del prodotto descritto nel manuale. (Da non confondere con "operatore" anche se può essere la stessa persona). La nozione di utilizzatore non è quella di "cliente" né quella di "operatore".

- **Tecnico:** Persona qualificata, incaricata delle operazioni di manutenzione descritte e consentite dal manuale all'utilizzatore, che possiede competenza e familiarità col prodotto.
- **Connettore:** elemento di connessione tra componenti di un sistema di arresto cadute. E' conforme alla norma EN 362.
- **Fune:** corda che possiede un'anima interna a multi-filamenti ed una guaina esterna cilindrica.
- **Ancoraggio:** dispositivo di fissaggio di un sistema anticaduta, di resistenza minima di 10 kN (1 tonnellata). E' conforme alla norma EN 795.
- **Cordino di sicurezza:** elemento di collegamento tra un punto di ancoraggio e un impianto da mettere in sicurezza.
- **Strozzafune:** sistema di bloccaggio per fune.
- **Guidafune:** sistema di rinvio della fune.
- **Console:** dispositivo di fissaggio di un discensore tramite una scala o un treppiede di manovra.
- **Punto di aggancio di salvataggio:** punto di collegamento specifico su un'imbracatura o una cinghia di salvataggio per l'aggancio dei sistemi di salvataggio o di evacuazione.
- **Volantino di manovra:** volantino di cui è dotato l'apparecchio derope™ di tipo UP la cui manovra permette di far risalire una persona di qualche metro.
- **Imbracatura anticaduta:** dispositivo di presa del corpo destinato ad arrestare le cadute. E' costituito da cinghie e fibbie. Prevede dei punti di aggancio anticaduta contrassegnati da una A se possono essere utilizzati da soli, o da una A/2 se devono essere utilizzati in abbinamento ad un altro punto A/2. E' conforme alla norma EN 361.
- **Imbracatura di salvataggio / cinghia di salvataggio:** dispositivi di presa del corpo destinati a mantenere una persona da evacuare in una data posizione nel corso di un'operazione di salvataggio. Sono conformi alle norme EN 1497 e EN 1498.
- **Treppiede di manovra:** treppiede con 3 piedi regolabili in altezza, che costituisce un punto di ancoraggio. E' conforme alla norma EN 795 classe B.
- **Evacuazione volontaria:** la persona discende da sola o con l'assistenza di una persona competente da un luogo in altezza verso il suolo.
- **Evacuazione di salvataggio:** la persona in pericolo viene fatta discendere da un soccorritore.
- **Piastra multi-ancoraggio:** Permette di agganciare diversi connettori ad un medesimo punto di ancoraggio. Permette di orientare e di ripartire il carico durante le manovre di salvataggio.
- **Puleggia doppia in linea:** Puleggia munita di due carrucole allineate, adatta per l'evacuazione su corda tesa. E' conforme alla norma EN 12278.

2.2. Pittogrammi

 **PERICOLO:** Posizionato ad inizio linea, fornisce istruzioni atte ad evitare danni alle persone, in particolare ferite mortali, gravi o leggere, nonché danni ambientali.



IMPORTANTE: Posizionato ad inizio linea, fornisce istruzioni atte ad evitare un'anomalia o un danno dei dispositivi, che tuttavia non mette in pericolo la vita o la salute dell'operatore o di altre persone, e che non provoca danni ambientali.



NOTA: Posizionato ad inizio linea, fornisce istruzioni atte a garantire l'efficacia o la comodità di un'installazione, di un utilizzo o di un'operazione di manutenzione.



Obbligo di leggere il manuale d'istruzioni.



INSERIRE SUL FOGLIO DI CONTROLLO:

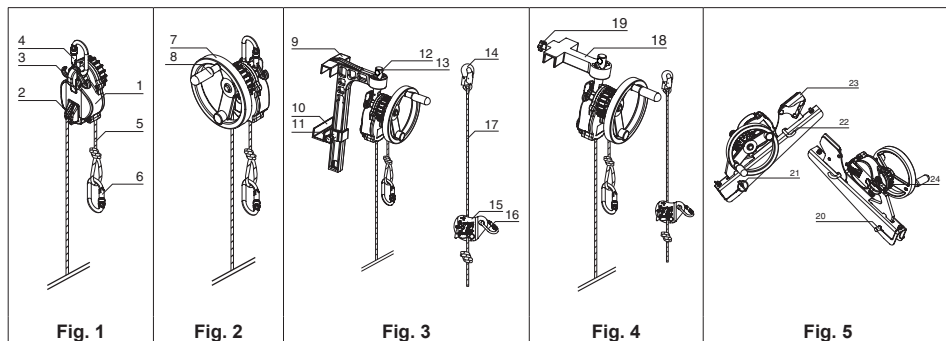
Inserire le informazioni sul foglio di controllo staccabile situato nella pagina centrale del presente manuale.

3. Presentazione dell'apparecchio

3.1. Versioni degli apparecchi

Denominazione Commerciale	derope™ STD Fig. 1	derope™ UP A Fig. 2	derope™ UP B Fig. 3	derope™ UP K Fig. 4	derope™ UP R Fig. 5
Descrizione	Discensore derope™ standard.	Discensore derope™ con recuperatore.	Discensore derope™ con recuperatore dotato di una grande console.	Discensore derope™ con recuperatore dotato di una piccola console.	Discensore derope™ con recuperatore fornito con una console per treppiede di manovra.
Descrizione funzionale	Discensore di persone a velocità controllata e a funzionamento pendolare.	Discensore derope™ STD dotato di una funzione di salvataggio per elevazione azionata per mezzo di un volantino di manovra.	Discensore derope™ UP A dotato di una console di fissaggio per scala con bloccaggio.	Discensore derope™ UP A dotato di una console d'appoggio per scala.	Discensore derope™ UP A dotato di una console di fissaggio per il treppiede di manovra trapcode di Tractel®.
Composizione di consegna	- Discensore. - Funne. - 3 connettori. - Manuale + certificato di conformità		- Discensore. - Funne. - 2 connettori. - Cordino di sicurezza dotato di 2 connettori e del dispositivo di regolazione della lunghezza LCM 05. - Console di fissaggio o d'appoggio. - Manuale + certificato di conformità.		- Discensore. - Funne. - 2 connettori. - Console di fissaggio dotata di perno di fissaggio per il treppiede. - Manuale + certificato di conformità.

3.2. Schemi degli apparecchi



- 1: carter
- 2: strozzafune
- 3: guidafunne apparecchio
- 4: connettore superiore
- 5: fune
- 6: connettore d'estremità di fune
- 7: volantino di manovra
- 8: impugnatura ribaltabile
- 9: console di fissaggio per scala con bloccaggio
- 10: slittone di bloccaggio
- 11: asse di bloccaggio
- 12: asse di aggancio
- 13: coppiglia di posizionamento
- 14: connettore per cordino di sicurezza
- 15: dispositivo di regolazione LCM 05
- 16: connettore del dispositivo di regolazione LCM 05
- 17: cordino di sicurezza
- 18: piccola console d'appoggio
- 19: asse di bloccaggio
- 20: perno di fissaggio
- 21: coppiglia con anello
- 22: guidafunne console
- 23: strozzafune
- 24: vite di bloccaggio

3.3. Conformità alle normative

- EN 341 classe A: discensore di alta capacità di discesa.
- EN 1496 classe A: sistema di salvataggio a sollevamento verso l'alto.
- Articolo 11 B della Direttiva 89/686/CEE, sotto il controllo di un organismo notificato: APAVE SUDEUROPE, CS60193, F-13322 Marseille, Cedex 16, France, identificato dal numero 0082.
- Il dispositivo è identico al D.P.I. oggetto dell'attestazione "CE" del tipo fornito dall'APAVE SUDEUROPE, CS60193, F-13322 Marseille, Cedex 16, Francia, identificato dal numero 0082, e testato secondo la normativa EN 341 classe A del 1993, EN 1496 classe A del 2006.

4. Funzione e descrizione

4.1. Funzioni

4.1.1. Funzione discensore

Questa funzione permette di far discendere 1 o 2 persone a velocità regolata compresa tra 0.5 e 2 m/s grazie a un sistema di freno centrifugo operante nei 2 sensi. L'apparecchio può essere utilizzato in modo pendolare. La funzione discensore è presente su tutti i modelli di apparecchio derope™ della gamma Tractel®.

4.1.2. Funzione recuperatore

Questa funzione permette di evacuare verso l'alto la persona da soccorrere.

- Può essere svolta per mezzo di un volante di manovra munito di una maniglia ribaltabile azionata dal soccorritore. La velocità di risalita è dell'ordine l'ordine di 1 m/min.
- Può essere svolta per mezzo di un attrezzo portatile tipo trapano / avvitatore posto all'estremità del pignone al centro del volante di manovra che è dotato di una vite esagonale. La velocità di risalita è dell'ordine di 5 m/min.

Questa funzione è presente sugli apparecchi derope™ UP A / UP B / UP K / UP R.

4.1.3. Funzione rallentamento o arresto di discesa

Facendo passare l'estremità libera della fune dell'apparecchio nel guida corda, il soccorritore può rallentare o arrestare manualmente la discesa. Per mantenere l'apparecchio in arresto, l'estremità libera deve essere introdotta nello strozzafune presente sull'apparecchio. Questa funzione è presente su tutti i modelli di apparecchi derope™ della gamma Tractel®.

4.1.4. Funzione di aggancio

4.1.4.1. Apparecchio derope™ STD e UP A

Questi 2 apparecchi si fissano per mezzo di un connettore situato nella parte superiore dell'apparecchio su qualunque punto di ancoraggio

conforme alle prescrizioni della norma EN 795 o su ogni altra struttura che abbia una resistenza superiore a 10 kN (1 tonnellata).

4.1.4.2. Apparecchio derope™ UP B

Questo apparecchio è dotato di una console di fissaggio per scale. Questa console deve essere bloccata su 2 pioli consecutivi della scala e deve essere obbligatoriamente messa in sicurezza mediante il cordino di sicurezza in conformità alle istruzioni del § 6.

4.1.4.3. Apparecchio derope™ UP K

Questo apparecchio è dotato di una console di appoggio su barra o su scala. Questa console deve essere bloccata e deve essere obbligatoriamente messa in sicurezza mediante il cordino di sicurezza in conformità alle istruzioni del § 6.

4.1.4.4. Apparecchio derope™ UP R

Questo apparecchio è dotato di una console di fissaggio destinata ad essere fissata esclusivamente sul treppiede di manovra trapode di Tractel®. Questa console deve essere bloccata su una delle gambe del treppiede per mezzo del suo perno di fissaggio.

4.2. Accessori

Il sacchetto speciale per apparecchio derope™ con la sua bobina è previsto per contenere l'apparecchio derope™ STD o l'apparecchio derope™ UP A e la relativa fune (fino a 80 metri). Questo sacchetto permette di trasportare e manipolare agevolmente il dispositivo durante gli interventi di salvataggio. Gli apparecchi derope™ possono ricevere in opzione un avvolgitore destinato a srotolare la corda al momento del suo utilizzo, eliminando il rischio di attorcigliamento.

4.3. Caratteristiche tecniche e di utilizzo del prodotto con materiali utilizzati

Denominazione Commerciale	derope™ STD	derope™ UP A	derope™ UP B	derope™ UP K	derope™ UP R
Peso (kg)	1.9	3.0	6.1	4.6	6.5
Dimensioni indicative (mm) (h x l x p)	170 x 120 x 105	225 x 200 x 165	430 x 200 x 315	265 x 200 x 325	485 x 265 x 165
Argano di recupero	Senza oggetto	Sì			
Carico max recupero	Senza oggetto	120 kg			
Sforzo all'impugnatura del volantino di manovra	Senza oggetto	5 kg			
Norme	EN 341 Classe A	EN 341 classe A + EN 1496 classe A			
Velocità di discesa	Compresa tra 0.5 m/s e 2 m/s				
Fune	Fune Tractel® diametro 10.5 mm				

4.4. Fune

⚠ PERICOLO: Soltanto la fune Tractel® fornita con l'apparecchio è omologata per l'utilizzo nell'apparecchio derope™ di Tractel®. Questa fune può essere fornita in lunghezze variabili da 10 a 400 m secondo le condizioni commerciali di Tractel®.

5. Prodotti associati

5.1. Dispositivo di presa del corpo

- Imbracatura anticaduta conforme alla norma EN 361. La persona da soccorrere deve essere connessa ai punti di aggancio anticaduta. Un punto di aggancio anticaduta è contrassegnato da una A se può essere utilizzato da solo o da una A/2 se deve essere utilizzato in abbinamento ad un altro punto anticaduta contrassegnato da una A/2.
- Imbracatura di salvataggio o cinghia di salvataggio conformi alle norme EN 1497 o EN 1498. La persona da soccorrere deve essere connessa al punto di aggancio di salvataggio identificato da un'etichetta posta vicino al punto di aggancio.

5.2. Dispositivi di ancoraggio

- I dispositivi di ancoraggio devono rispettare le prescrizioni della norma EN 795. Devono avere una resistenza minima di 10 kN (1 tonnellata).
- L'apparecchio derope™ UP R è particolarmente previsto ed omologato per essere fissato su una gamba del treppiede di manovra trapode di Tractel®.

⚠ PERICOLO: E' vietato qualsiasi utilizzo simile con un treppiede di provenienza diversa.

5.3. Puleggia doppia in linea

- Puleggia dotata di due carrucole allineate, particolarmente adatta per l'evacuazione su corda tesa.

5.4. Piastra multi-ancoraggio

- La piastra multi-ancoraggio permette di agganciare diversi connettori ad un unico punto di ancoraggio. Permette di orientare e di ripartire il carico durante le manovre di salvataggio.

5.5. Trapano / avvitatore

- Trapano / avvitatore di potenza minima di 300 W utilizzabile per i derope™ UP al fine di assistere l'operatore durante l'evacuazione verso l'alto.
- Nel caso di utilizzo di un trapano / avvitatore senza filo, questo deve avere una batteria da 14 V minimo in modo da avere la potenza necessaria per questa operazione.

6. Installazione

6.1. Disposizioni preliminari all'installazione

1. L'installazione dell'apparecchio derope™ deve essere effettuata da personale formato e competente.
2. L'installazione e l'utilizzo degli apparecchi derope™ devono essere effettuati in conformità con la legislazione e le normative del paese di destinazione.

6.2. Verifiche prima dell'installazione

⚠ PERICOLO: Le verifiche descritte qui di seguito devono essere effettuate non appena si è in grado di utilizzare l'apparecchio derope™, per evitare che una situazione d'emergenza impedisca in seguito di procedere a queste verifiche.

1. Verifica visiva della struttura di ancoraggio:
 - Punto di ancoraggio per gli apparecchi derope™ STD e UP A: conforme alla norma EN 795 o di resistenza minima di 10 kN (1 tonnellata).
 - Scala per gli apparecchi derope™ UP B e UP K:

- Montanti non deformati, correttamente fissati al muro: resistenza minima di 10 kN (1 tonnellata).
 - Pioli sui quali deve essere posizionata la console non deformati.
- Treppiede di manovra tracpode di Tractel® per gli apparecchi derope™ UP R.
 - Piedi telescopici non deformati, non piegati.
 - Presenza di pattini in gomma sotto i piedi.
 - Presenza di una puleggia di rinvio sulla testa del treppiede tracpode.
 - Assenza di tracce di deformazione, di corrosione sulla testa del treppiede tracpode.
 - Presenza del perno antisalto cavo della puleggia di rinvio.
 2. Verifica visiva della fune su tutta la lunghezza, e delle due estremità, per accertarsi dell'integrità della guaina della fune e della regolarità del suo diametro.
 3. Verifica del funzionamento dell'apparecchio attraverso un movimento manuale della fune nell'apparecchio su una lunghezza minima di 1 m nei due sensi per accertarsi che la resistenza allo spostamento aumenti con la velocità di spostamento.
 4. Verifica del buono stato dei carter: assenza di danni significativi, presenza e leggibilità di tutte le marcature.
 5. Verifica dei connettori: assenza di deformazione e corrosione, chiusura e bloccaggio funzionanti.
 6. Verifica delle console per gli apparecchi derope™ UP B / UP K / UP R: assenza di deformazione e corrosione, bloccaggio funzionante.
 7. Verifica dei cordini di sicurezza per gli apparecchi derope™ UP B e UP K: verifica della fune, dei connettori, del dispositivo di regolazione della lunghezza.
 8. Verifica di tutti i prodotti associati secondo le istruzioni dei rispettivi manuali.
 9. Accertarsi che l'apparecchio derope™ sia stato oggetto di un controllo periodico nel corso degli ultimi 12 mesi.
 10. Accertarsi che l'apparecchio derope™ abbia il potenziale per quanto riguarda il numero di discese consecutive o meno, l'altezza di discesa o il carico da evacuare per realizzare l'operazione: vedi tabella 2 del § 7-1.

⚠ PERICOLO: In caso di anomalia constatata durante queste verifiche, l'apparecchio dovrà essere ritirato in modo da impedirne l'utilizzo, successivamente dovrà essere riparato da personale formato e competente (vedi § 10-1).

6.3. Posizionamento dell'apparecchio derope™

6.3.1. Apparecchio derope™ STD e apparecchio derope™ UP A

1. Identificare o allestire il punto di ancoraggio per ricevere l'apparecchio derope™.
2. Accertarsi che il punto di ancoraggio sia conforme alla norma EN 795 o che presenti una resistenza superiore a 10 kN (1 tonnellata).
3. Fissare l'apparecchio derope™ per mezzo del connettore superiore al punto di ancoraggio previsto per realizzare l'operazione di salvataggio, al di sopra della persona da evacuare.
4. Bloccare il connettore.
5. Gettare la fune verso il basso accertandosi che non sia aggrovigliata, che non presenti nodi, che non sfregi su spigoli vivi e che raggiunga il suolo.
6. Verificare l'assenza di ostacoli sul tragitto di evacuazione e sulla zona di ricezione. Esempi: fili elettrici, ferri per armatura, superfici taglienti.

6.3.2. Apparecchio derope™ UP B (Fig.6)

1. Posizionare la grande console bloccabile sul piolo della scala nella posizione scelta per effettuare l'operazione di salvataggio, al di sopra della persona da evacuare (Fig. 6, 1).
2. Far risalire lo slittone di bloccaggio a livello del piolo immediatamente al di sotto di quello che riceve la grande console (Fig. 6, 2).
3. Stringere l'asse di bloccaggio dello slittone mediante il pulsante di serraggio che si trova sul lato della console (Fig. 6, 3).
4. Posizionare il cordino di sicurezza:
 - Fissare il connettore del dispositivo di regolazione LCM 05 nel foro della parte superiore dell'asse di aggancio (Fig. 6, 4.1).
 - Far passare il cordino di sicurezza attorno al piolo della scala situato al di sopra della console avvolgendolo intorno ad uno dei montanti della scala (Fig. 6, 4.2).
 - Collegare il connettore del cordino di sicurezza al connettore del dispositivo di regolazione LCM 05 (Fig. 6, 4.3).
 - Tendere il cordino di sicurezza tirando sull'estremità libera (Fig. 6, 4.4).
5. Gettare la fune verso il basso accertandosi che non sia aggrovigliata, che non presenti nodi, che non sfregi su spigoli vivi e che raggiunga il suolo.
6. Verificare l'assenza di ostacoli sul tragitto di evacuazione e sulla zona di ricezione. Esempi: fili elettrici, ferri per armatura, superfici a vetri.

7. Orientare l'apparecchio derope™ secondo la necessità modificando la posizione dell'asse di aggancio nel dispositivo di posizionamento (Fig. 6, 7.1 – 7.2).

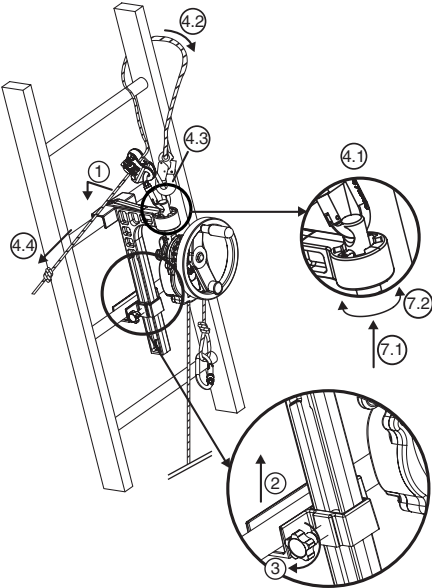


Fig. 6

4. Gettare la fune verso il basso accertandosi che non sia aggrovigliata, che non presenti nodi, che non sfregi su spigoli vivi e che raggiunga il suolo.
5. Verificare l'assenza di ostacoli sul tragitto di evacuazione e sulla zona di ricezione. Esempi: fili elettrici, ferri per armatura, superfici a vetri.
6. Orientare l'apparecchio derope™ secondo la necessità modificando la posizione dell'asse di aggancio nel dispositivo di posizionamento (Fig. 7, 6.1 – 6.2).

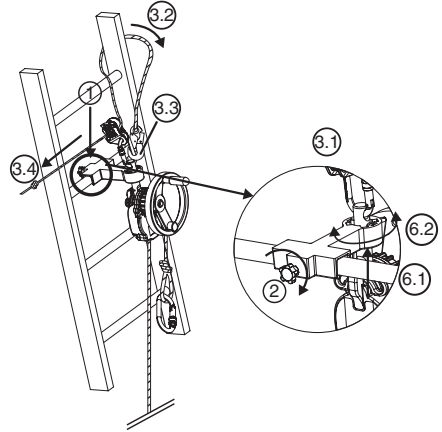


Fig. 7

6.3.3. Apparecchio derope™ UP K (Fig. 7)

1. Posizionare la piccola console bloccabile sul piolo della scala nella posizione scelta per effettuare l'operazione di salvataggio, al di sopra della persona da evacuare (Fig. 7, 1).
2. Stringere l'asse di bloccaggio che si trova dietro la console di appoggio mediante il pulsante di serraggio (Fig. 7, 2).
3. Posizionare il cordino di sicurezza:
 - Fissare il connettore del dispositivo di regolazione LCM 05 nel foro della parte superiore dell'asse di aggancio (Fig. 7, 3.1).
 - Far passare il cordino di sicurezza attorno al piolo della scala situato al di sopra della console avvolgendolo intorno ad uno dei montanti della scala (Fig. 7, 3.2).
 - Collegare il connettore del cordino di sicurezza al connettore del dispositivo di regolazione LCM 05 (Fig. 7, 3.3).
 - Tendere il cordino di sicurezza tirando sull'estremità libera (Fig. 7, 3.4).

⚠ PERICOLO: Rischio di caduta e di incidente mortale se il cordino di sicurezza non è correttamente installato.

6.3.4. Apparecchio derope™ UP R (Fig. 8, 9 e 10)

L'apparecchio derope™ UP R deve essere fissato sulla gamba del treppiede trapcode di Tractel® come indicato alla Fig. 8. È vietato qualunque altro fissaggio in un punto diverso del treppiede trapcode di Tractel®. Al fine di poter utilizzare un apparecchio derope™ UP R su una delle tre gambe del treppiede trapcode, quest'ultimo deve essere dotato di una puleggia di rinvio nella parte superiore, o da 2 pulegge se sullo stesso treppiede trapcode è operativo un altro apparecchio (anticaduta a richiamo automatico blocfor™ o argano caRol™).

Se l'apparecchio derope™ UP R non è installato sulla console per trapcode di Tractel®, procedere al suo posizionamento secondo le seguenti istruzioni:

1. Svitare la vite di bloccaggio del gancio di fissaggio della console per apparecchio derope™ UP R (Fig. 8,1).
2. Posizionare l'apparecchio derope™ UP R sul gancio di fissaggio (Fig. 8, 2.1 – 2.2).
3. Riavvitare la vite di bloccaggio in modo da impedire all'apparecchio di staccarsi dalla console (Fig. 8, 3) e verificare che questa sia ben posizionata e fissata.

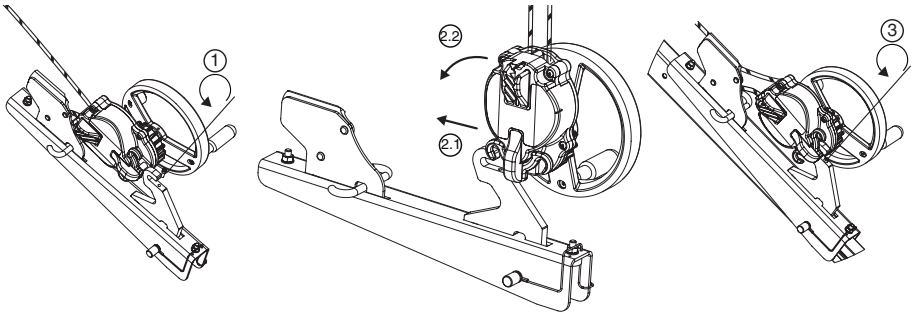


Fig. 8

Quando l'apparecchio derope™ UP R è installato sulla console per tracpode di Tractel®.

1. Appoggiare il treppiede tracpode di Tractel®, non aperto, al suolo.
2. Regolare le gambe del treppiede tracpode di Tractel®, per ottenere l'altezza desiderata: vedere il manuale d'istruzione del treppiede tracpode.
3. Scegliere la gamba del treppiede tracpode di Tractel® munita alla sommità di puleggia di rinvio; su questa gamba, togliere il perno di bloccaggio.
4. Posizionare il foro di fissaggio della console in corrispondenza del foro di bloccaggio della gamba del treppiede tracpode di Tractel®.



IMPORTANTE: Attenzione al senso di montaggio: lo strozzafune deve essere rivolto verso la parte alta del treppiede tracpode (Fig. 9).

5. Posizionare il perno di fissaggio della console per apparecchio derope™ UP R. Questo perno di fissaggio svolge due funzioni: bloccaggio della gamba del treppiede tracpode e fissaggio della console per apparecchio derope™ UP R su questa gamba (Fig. 9, 5).
6. Bloccare il perno di fissaggio mediante la coppia ad anello (Fig. 9, 6).
7. Aprire totalmente i 3 piedi del treppiede tracpode.
8. Togliere il perno che si trova al di sopra della puleggia di rinvio nella parte superiore del treppiede tracpode (Fig. 10, 8).
9. Passare la fune dell'apparecchio derope™ attorno alla puleggia di rinvio (Fig. 10, 9).
10. Riposizionare il perno per impedire che la fune esca dalla puleggia di rinvio (Fig. 10, 10).
11. Aprire lo strozzafune della console (Fig. 9, 11).

12. Introdurre la fune che esce dall'apparecchio derope™ nello strozzafune della console (Fig. 9, 12).
13. Gettare la fune verso il basso accertandosi che non sia aggrovigliata, che non presenti nodi, che non sfregi su spigoli vivi e che raggiunga il suolo.
14. Chiudere lo strozzafune (Fig. 9, 14).
15. Verificare l'assenza di ostacoli sul tragitto di evacuazione e sulla zona di ricezione. Esempi: fili elettrici, ferri per armatura, superfici a vetri.

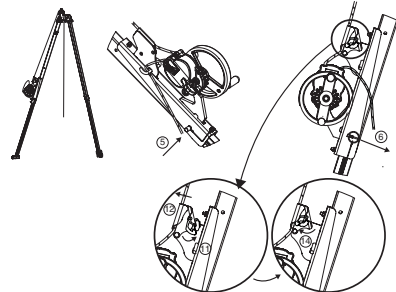


Fig. 9

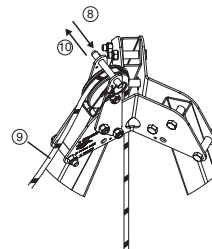


Fig. 10

6.3.5. derope™ UP con trapano / avvitatore

PERICOLO:

- Prima di posizionare il trapano / avvitatore all'estremità dell'asse del volante dell'apparecchio derope™ UP R, assicurarsi che la maniglia ribaltabile del volante di manovra sia ben ripiegata.
- Posizionare il mandrino del trapano / avvitatore attorno alla vite esagonale all'estremità dell'asse del volante di manovra.
- Bloccare il mandrino sull'asse con vite esagonale.

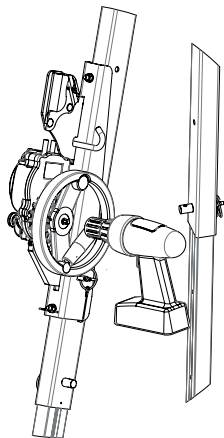



Fig. 11

Utilizzo	derope™ STD	derope™ UP A	derope™ UP B	derope™ UP K	derope™ UP R
Evacuazione volontaria verticale	Si	Si	Si (*)	Si (*)	No
Evacuazione volontaria su piano inclinato	Si	Si	No	No	No
Evacuazione di salvataggio	(***)	Si	Si (*)	Si (*)	Si (**)

*: utilizzo unicamente su scala

** : utilizzo su treppiede trapcode di Tractel® al di sopra di un'apertura nel vuoto, come un pozzo, un silos ecc.

***: No se utilizzo di un apparecchio derope™ da solo, sì se utilizzo di un apparecchio derope™ con un apparecchio di sollevamento persone che consente di far risalire la persona da evacuare per distendere il sistema anticaduta.

 **PERICOLO:** In discesa, l'utilizzo dell'apparecchio derope™ è limitato per quanto riguarda il carico, l'altezza di discesa e il numero di discese ripetute.


In caso di unica discesa:

- il carico massimo è di 225 kg per un'altezza massima di discesa di 200 m.
- l'altezza massima di discesa è di 400 m per un carico massimo di 150 kg.

In caso di discese ripetute, l'utilizzo dell'apparecchio derope™ è limitato per quanto riguarda il carico,

7. Utilizzo

7.1. Istruzioni di utilizzo e limiti di utilizzo dell'apparecchio derope™

 **PERICOLO:** Gli apparecchi derope™ sono idonei per l'utilizzo in caso di lavori in altezza. Occorre pertanto tenere costantemente presente che i lavori in altezza devono essere assoggettati alle seguenti disposizioni.

- Le persone che lavorano in altezza devono essere in pieno possesso delle loro facoltà fisiche e psicologiche.
- Le persone che lavorano in altezza devono avere ricevuto una idonea formazione a questo scopo.
- I lavori in altezza sono vietati alle donne in gravidanza.
- Prima di effettuare lavori in altezza occorre procedere all'elaborazione di un apposito piano di salvataggio.

In caso di evacuazione volontaria, gli apparecchi derope™ sono utilizzati esclusivamente da persone formate e competenti o, in mancanza, sotto la sorveglianza di persona abilitata.

In caso di evacuazione di salvataggio, le operazioni di salvataggio sono realizzate esclusivamente da persone formate ed abilitate a questo scopo.

Le istruzioni di utilizzo dei diversi modelli di apparecchi derope™ sono indicate nella tabella qui di seguito.

l'altezza di discesa e il numero di discese ripetute secondo i limiti indicati nella tabella qui di seguito.

		Numero massimo di discese ripetute			
Altezza di discesa		< 50 m	< 125 m	< 200 m	< 400 m
Carico di utilizzo	Inf. a 100 kg	60	24	15	7
	Sup. a 100 kg e Inf. a 150 kg	20	8	5	2
	Sup. a 150 kg e Inf. a 225 kg	6	2	1	Vietato

⚠ PERICOLO: Dopo ogni utilizzo, in unica discesa o discese ripetute, l'apparecchio derope™ deve essere oggetto di verifica da parte di personale formato e competente per questa operazione.

⚠ PERICOLO: Occorre sorvegliare l'altezza sommata di discesa. Se l'altezza sommata di discesa supera i limiti indicati nella tabella del § 10-1, qualunque sia il tempo impiegato per arrivare a questa somma, l'apparecchio deve essere oggetto di revisione secondo il § 10-1, da effettuarsi a cura di personale formato e competente per questa operazione.

L'apparecchio può essere utilizzato tra -35°C e +50°C.

⚠ PERICOLO: Per essere utilizzato a temperature negative (tra -35°C e 0°C), l'apparecchio deve essere asciutto, fune compresa.

⚠ PERICOLO: La persona che utilizza un apparecchio derope™ deve avere un peso superiore a 30 kg.

⚠ PERICOLO: Per evitare rischi di ustioni, è vietato toccare l'apparecchio derope™ durante il funzionamento e prima che si sia raffreddato.

7.2. Evacuazione volontaria verticale

Questo tipo di evacuazione deve essere effettuata con l'apparecchio derope™ STD, l'apparecchio derope™ UP A, l'apparecchio derope™ UP B o l'apparecchio derope™ UP K, ricordando che i due ultimi modelli sono utilizzati con l'impiego di una scala.

La persona da evacuare deve essere munita di un'imbracatura anticaduta (EN 361), di un'imbracatura di salvataggio (EN 1497) o di una cinghia di salvataggio (EN 1498 classe A o B).

Durante l'evacuazione volontaria verticale, la persona non deve sportarsi di più del 20° rispetto alla verticale per evitare un eccessivo sforzo di bilanciamento.

1. Dopo aver installato l'apparecchio derope™ in conformità al § 6, procedere come segue.
2. Agganciare la persona da evacuare o agganciare se stesso tramite il connettore all'estremità del cordino di evacuazione dell'apparecchio derope™ a:

- un punto di aggancio dell'imbracatura anticaduta EN 361: questi punti sono contrassegnati da una A se possono essere utilizzati da soli, o da una A/2 se devono essere utilizzati in abbinamento ad un altro punto A/2.

- un punto di aggancio dell'imbracatura di salvataggio EN 1497 o della cinghia di salvataggio EN 1498 classe A o B che sono identificati da un'etichetta posta vicino al punto di aggancio.

3. Tirare il tratto libero della fune per tendere il cordino di evacuazione.
4. Passare il tratto libero della fune nel guidafune, poi nello strozzafune.
5. Se necessario, accertarsi che l'impugnatura del volantino di manovra dell'apparecchio derope™ UP sia ribaltata.
6. Mettere la persona da evacuare al di sopra del vuoto: essa non potrà scendere in quanto la fune è bloccata dallo strozzafune.
7. Iniziare la discesa liberando il tratto libero della fune dallo strozzafune.
8. Una volta raggiunto il suolo, sganciare la persona.
9. Essendo il connettore del tratto libero risalito verso l'apparecchio derope™ durante l'evacuazione, se c'è un'altra persona da evacuare, ripetere i punti da 1 a 7.
10. In caso di discese ripetute, rispettare il numero massimo di discese indicato nella tabella del § 7.1.

7.3. Evacuazione volontaria su piano inclinato (Fig.12)

Questo tipo di evacuazione deve essere effettuata con l'apparecchio derope™ STD o con l'apparecchio derope™ UP A.

Il luogo da evacuare deve essere dotato di una cavo o di una corda tesi che formino con la verticale un angolo compreso tra 30° e 60°.

Nella parte superiore del cavo deve essere posizionata una puleggia doppia in linea con una piastra multi-ancoraggio.

La persona da evacuare deve essere munita di un'imbracatura anticaduta che preveda di preferenza, per motivi di confort, un punto di aggancio sternale (EN 361), di un'imbracatura di salvataggio (EN 1497) o di una cinghia di salvataggio (EN 1498 classe B).

1. Dopo avere installato l'apparecchio derope™ in conformità alle istruzioni del § 6, connettere il cordino d'evacuazione dell'apparecchio derope™ sulla piastra multi-ancoraggio, incorporata nella puleggia doppia in linea.
2. Posizionare un cordino munito dei suoi 2 connettori tra la piastra di ancoraggio della puleggia doppia in linea e:
 - un punto di aggancio dell'imbracatura anticaduta EN 361: questi punti sono contrassegnati da una A se possono essere utilizzati da soli, o da una A/2 se devono essere utilizzati in abbinamento ad un altro punto A/2
 - un punto di aggancio dell'imbracatura di salvataggio EN 1497 o della cinghia di salvataggio EN 1498 classe B che sono identificati da un'etichetta posta vicino al punto di aggancio.
3. Tirare il tratto libero della fune per tendere il cordino di evacuazione.
4. Passare il tratto libero della fune nel guidafuni, poi nello strozzafune.
5. Accertarsi che l'impugnatura del volantino di manovra dell'apparecchio derope™ UP sia ribaltata.
6. Lasciarsi scivolare lungo il cavo o la corda tesa.
7. Iniziare la discesa liberando il tratto libero della fune dallo strozzafune.
8. Una volta raggiunto il suolo, sganciare la persona e la puleggia doppia in linea.
9. Essendo il connettore del tratto libero risalito verso l'apparecchio derope™ durante l'evacuazione, se c'è un'altra persona da evacuare, ripetere i punti da 1 a 8.

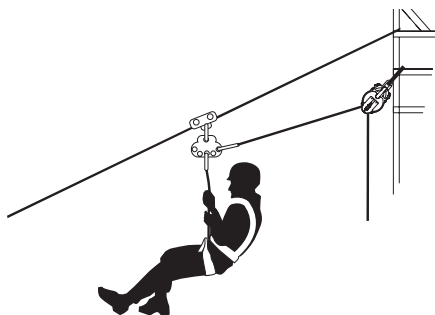



Fig. 12

7.4. Evacuazione di salvataggio di una persona

 **NOTA:** Il presente capitolo non costituisce in alcun caso una procedura di salvataggio. Il suo scopo è

quello di descrivere il corretto utilizzo degli apparecchi derope™ per mezzo di un esempio.

Qualunque operazione di salvataggio deve essere effettuata esclusivamente da una persona formata e abilitata per le operazioni di salvataggio. Prima d'intraprendere una operazione di salvataggio, è necessario allertare i soccorsi.

Per tutta la durata della discesa, il soccorritore dovrà mantenere un contatto visivo con la persona da evacuare in modo da poter intervenire in caso di necessità.

Le operazioni di salvataggio descritte in questo capitolo devono essere effettuate con un apparecchio derope™ UP con recuperatore dotato di un volantino di manovra su persone munite di un sistema anticaduta. Nella misura del possibile, il soccorritore interverrà a livello della persona da evacuare. In caso contrario, il soccorritore interverrà a livello del punto di ancoraggio del sistema anticaduta della persona da evacuare. Nell'esempio che segue, la persona da evacuare è munita di un sistema anticaduta ed è appena caduta. Il soccorritore interviene a contatto con la persona da evacuare.

1. Dopo essersi recati presso la persona da evacuare e dopo avere installato l'apparecchio derope™ in conformità alle istruzioni del § 6, agganciare la persona da evacuare tramite il connettore posto all'estremità del cordino di evacuazione dell'apparecchio derope™ a:
 - un punto di aggancio dell'imbracatura anticaduta EN 361: questi punti sono contrassegnati da una A se possono essere utilizzati da soli, o A/2 se devono essere utilizzati in abbinamento ad un altro punto A/2.
 - un punto di aggancio dell'imbracatura di salvataggio EN 1497 o della cinghia di salvataggio EN 1498 classe B che sono identificati da un'etichetta posta vicino al punto di aggancio.
2. Per mezzo del volantino di manovra, far risalire la persona per distendere il sistema anticaduta.
3. Passare il tratto libero della fune nel guidafuni, poi nello strozzafune.
4. Ribaltare l'impugnatura del volantino di manovra dell'apparecchio derope™ UP.
5. Sganciare la persona da evacuare dal suo sistema anticaduta a livello del punto di aggancio.
6. Iniziare la discesa liberando il tratto libero dallo strozzafune.

7.5. Risalita di una persona

Durante l'utilizzo dell'apparecchio derope™ UP R su una console del treppiede trapode di Tractel® è possibile far risalire una persona :

- sia azionando manualmente il volante di manovra

– sia utilizzando un trapano / avvitatore.

⚠ PERICOLO: E' indispensabile ripiegare bene la maniglia ribaltabile prima di utilizzare il trapano / avvitatore per azionare l'apparecchio derope™ UP R.

⚠ PERICOLO: E' indispensabile tenere il trapano / avvitatore con 2 mani durante l'operazione di risalita di una persona.

⚠ PERICOLO: E' indispensabile non lasciare il trapano / avvitatore finché la persona da evacuare è sospesa all'apparecchio derope™ UP R.

8. Utilizzi errati vietati

E' severamente vietato:

1. Installare o utilizzare un apparecchio derope™ senza essere stato autorizzato, formato e riconosciuto competente, o, in difetto, senza operare sotto la responsabilità di una persona autorizzata, formata e riconosciuta competente.
2. Utilizzare un apparecchio derope™ se una delle marcature sull'apparecchio non è più presente o leggibile.
3. Installare o utilizzare un apparecchio derope™ che non sia stato oggetto di verifiche preventive (vedi § 6-2).
4. Utilizzare un apparecchio derope™ che non sia stato oggetto di un controllo periodico, da meno di 12 mesi, da parte di un tecnico che ne abbia autorizzato per iscritto il riutilizzo (vedi §10-1).
5. Utilizzare un apparecchio derope™ al di fuori del quadro delle operazioni di evacuazione o di salvataggio di persone.
6. Utilizzare una fune diversa dalla fune Tractel S.A.S per apparecchio derope™.
7. Fissare un apparecchio derope™ ad un punto di ancoraggio che non risponda alle prescrizioni della norma EN 795. Il punto di ancoraggio deve avere una resistenza minima di 10 kN.
8. Agganciare un apparecchio derope™ con dispositivi diversi da quelli che sono stati previsti da Tractel S.A.S.
9. Installare un apparecchio derope™ senza che quest'ultimo si trovi al di sopra della persona da evacuare.
10. Utilizzare un apparecchio derope™ senza avere preventivamente verificato lo spazio disponibile intorno alla persona da soccorrere durante la sua discesa o la sua salita.
11. Utilizzare gli apparecchi derope™ UP B e UP K senza posizionare il cordino di sicurezza.
12. Utilizzare un apparecchio derope™ UP R su di un treppiede diverso dal treppiede tracpode di Tractel S.A.S.
13. Utilizzare un apparecchio derope™ per un periodo più lungo della durata di vita prevista da Tractel S.A.S.
14. Utilizzare un apparecchio derope™ superando il carico massimo autorizzato o l'altezza di discesa massima autorizzata.
15. Utilizzare un apparecchio derope™ con una persona di peso inferiore a 30 kg.
16. Utilizzare un apparecchio derope™ in discese ripetute superando il numero massimo di discese autorizzate.
17. Utilizzare un apparecchio derope™ nel quadro di un sistema di arresto cadute ai sensi della norma EN 363.
18. Utilizzare un apparecchio derope™ come mezzo di sospensione o di trattenuta.
19. Utilizzare un apparecchio derope™ in atmosfera esplosiva.
20. Esporre un apparecchio derope™ o la sua fune ad una fonte di calore o di luce diretta.
21. Utilizzare un apparecchio derope™ o la sua fune al di fuori del campo di temperature comprese tra -35°C e +50°C.
22. Mettere un apparecchio derope™ o la sua fune in contatto con sostanze chimiche aggressive, superfici abrasive o taglienti.
23. Utilizzare l'apparecchio derope™ se l'estremità della fune non raggiunge il suolo.
24. Ostacolare l'auto-allineamento di un apparecchio derope™ rispetto alla fune.
25. Impedire la libera rotazione del volantino di manovra degli apparecchi derope™ UP A, B, K o R.
26. Inserire qualunque elemento nei fori di passaggio della fune di un apparecchio derope™.
27. Aprire un apparecchio derope™, lubrificarlo o apportarvi qualsiasi modifica.
28. Procedere a riparazioni di un apparecchio derope™ senza essere stati formati ed autorizzati a questo scopo, per iscritto, da Tractel S.A.S.

29. Toccare l'apparecchio derope™ senza essersi accertato del suo raffreddamento dopo l'utilizzo.
30. Utilizzare l'apparecchio derope™ UP R su una consolle del treppiede trapode di Tractel® con un Trapano / avvitatore se la maniglia ribaltabile del volante di manovra non è ben ripiegata.
31. Utilizzare l'apparecchio derope™ UP R su una consolle del treppiede trapode di Tractel® con un trapano / avvitatore se l'utilizzatore non tiene il trapano con 2 mani.
32. Lasciare il trapano / avvitatore se questo è posizionato all'estremità dell'asse dell'apparecchio derope™ UP R quando una persona è sospesa.

9. Trasporto e stoccaggio

I dispositivi oggetto del presente manuale devono essere stoccati e trasportati nel loro imballaggio d'origine.

Durante lo stoccaggio e/o il trasporto, questi dispositivi devono essere:

1. Conservati all'asciutto,
2. Conservati ad una temperatura compresa tra -35°C e +50°C,
3. Protetti contro le fonti di calore diretto e contro le radiazioni UV,
4. Protetti contro le aggressioni chimiche, meccaniche, o qualunque altro tipo di aggressione.

10. Verifica periodica

E' obbligatoria una revisione periodica annuale, ma a seconda della frequenza di utilizzo, delle condizioni ambientali e della regolamentazione dell'azienda o del paese di utilizzo, le revisioni periodiche possono essere più frequenti.

Le revisioni periodiche devono essere eseguite da un tecnico abilitato e competente e nel rispetto delle modalità operative di verifica del fabbricante indicate nel file "Istruzioni di verifica dei DPI Tractel®".

La verifica della leggibilità della marcatura sul prodotto fa parte integrante della revisione periodica.

Dopo ogni revisione periodica, la rimessa in servizio deve essere notificata per iscritto dal tecnico abilitato e competente che ha eseguito la revisione periodica. Questa rimessa in servizio del prodotto deve essere registrata sul foglio di controllo che si trova al centro del presente manuale. Questo foglio di controllo deve essere conservato durante tutta la durata di vita del prodotto fino al suo smaltimento.

Dopo avere arrestato una caduta, il presente prodotto deve essere obbligatoriamente oggetto di una revisione periodica come descritto nel presente articolo. Gli eventuali componenti tessili devono essere

obbligatoriamente sostituiti, anche se non presentano nessuna alterazione visibile.

10.1. Revisione dell'apparecchio

⚠ PERICOLO: La revisione dell'apparecchio è obbligatoria nei casi seguenti:

1. In caso di anomalia constatata durante un controllo annuale o meno, o non appena si identifica un difetto di funzionamento o un cattivo stato apparente.
2. Quando la somma delle altezze di discesa raggiunge il limite indicato nella tabella qui di seguito, qualunque sia il tempo impiegato per arrivare a questa somma.

Limite di altezze sommate di discesa che comportano obbligatoriamente la revisione dell'apparecchio e la sostituzione della fune.

Carico	Inf. a 100 kg	3000 m
	Sup. a 100 kg e Inf. a 150 kg	1000 m
	Sup. a 150 kg e Inf. a 225 kg	300 m

La revisione dell'apparecchio deve essere effettuata esclusivamente da una persona formata e qualificata per effettuare le operazioni di manutenzione, da Tractel® o da un'officina autorizzata.

E' obbligatorio procedere alla sostituzione della fune non appena l'apparecchio raggiunge le altezze sommate indicate nella tabella sopra riportata.

11. Durata di vita

I DPI tessili Tractel® come le imbracature, i cordini, le funi e i dissipatori, i DPI meccanici Tractel® come gli anticaduta stopcable™ e stopfor™, gli anticaduta a richiamo automatico blocfor™, e le linee di vita Tractel® sono utilizzabili a condizione che a partire dalla loro data di fabbricazione essi siano oggetto:

- di un utilizzo normale nel rispetto delle prescrizioni di utilizzo del presente manuale.
- di una revisione periodica che deve essere effettuata minimo 1 volta all'anno da un tecnico abilitato e competente. Dopo questa revisione periodica, il DPI deve essere dichiarato per iscritto idoneo alla rimessa in servizio.
- dello stretto rispetto delle condizioni di stoccaggio e di trasporto menzionate nel presente manuale.

12. Rottamazione

Al momento della rottamazione del prodotto, è obbligatorio riciclare i diversi componenti separando le materie metalliche e le materie sintetiche.

Queste materie devono essere riciclate da organismi specializzati. Al momento della rottamazione, lo smontaggio, per la separazione dei componenti, deve essere eseguito da una persona competente.

13. Marcatura del prodotto

13.1. Marcatura del discensore derope™

Le etichette degli apparecchi derope™ sono riprodotte nelle figure 13a, 13b e 13c. Esse indicano:

- a: il marchio commerciale: Tractel®.
- b: la denominazione del prodotto.
- c: la norma di riferimento seguita dall'anno di applicazione.
- d: il riferimento del prodotto: ex 010042.
- e: il logo CE seguito dal n° dell'organismo notificato articolo 11 B controllo di produzione 0082.
- f: l'anno e la settimana di fabbricazione.
- g: il numero di serie.
- h: un pittogramma che indica che occorre leggere il manuale prima dell'utilizzo.
- i: verifica visiva e funzionale prima dell'utilizzo.
- j: diametro della fune Tractel®.
- k: campo di temperatura di utilizzo.
- l: carichi limite e lunghezze limite di utilizzo.
- m: non sfregare la fune su spigoli vivi.
- n: utilizzo per evacuazione semplice.
- o: utilizzo per evacuazione su piano inclinato.
- p: utilizzo per evacuazione semplice e di salvataggio.

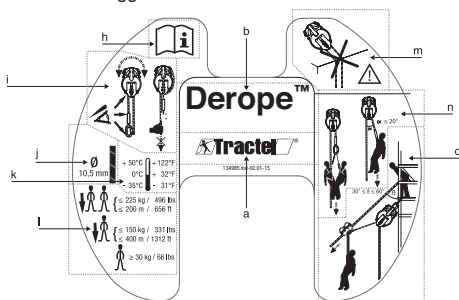


Fig. 13a

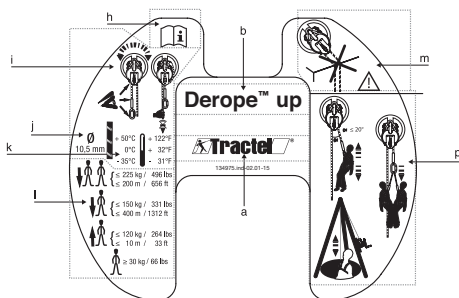


Fig. 13b

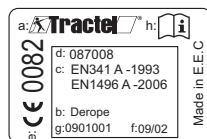


Fig. 13c

13.2. Marcatura della fune

L'etichetta di ciascuna delle funi dei discensori derope™ è riprodotta alla figura 14. Essa indica:

- a: il marchio commerciale: Tractel®.
- y: lunghezza standard della fune.
- z: lunghezza speciale della fune.

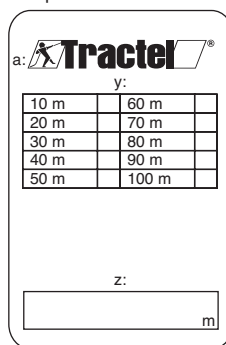


Fig. 14

Sumário

1. Recomendações Prioritárias	96
2. Definições e pictogramas	97
3. Apresentação do aparelho	99
4. Função e descrição	100
5. Produtos associados	101
6. Instalação	101
7. Utilização	105
8. Utilizações erradas proibidas	108
9. Transporte e armazenagem	109
10. Verificação periódica	109
11. Vida útil	109
12. Eliminação	109
13. Marcação do produto	109

Nota prévia:

De modo a assegurar o melhoramento constante dos seus produtos, a Tractel® reserva-se o direito de efectuar, nos equipamentos descritos neste manual e em qualquer momento, qualquer modificação considerada útil.

As empresas do grupo Tractel® e seus revendedores autorizados fornecerão sob pedido a documentação relativa à gama dos outros produtos Tractel®. Aparelhos de içamento e de tracção e seus acessórios, equipamentos de acesso de obras e de fachada, dispositivos de segurança para cargas, indicadores de carga electrónicos, etc.

A rede Tractel® pode fornecer um serviço pós-venda e de manutenção periódica.

1. Recomendações Prioritárias

1. Para a segurança de instalação e de uso do equipamento, assim como para a sua eficácia, é indispensável tomar conhecimento deste manual, e respeitar estritamente as indicações antes de utilizar este tipo de aparelho.
2. Este manual deve ser entregue ao utilizador do aparelho derope™ e mantido ao dispor de qualquer operador socorrista. Exemplos suplementares poderão ser fornecidos sob pedido pela Tractel S.A.S.
3. A utilização, a manutenção e a gestão do aparelho derope™ devem ficar sob a responsabilidade de pessoas conhecedoras da regulamentação de segurança e das normas aplicáveis a este tipo de material e aos equipamentos que lhe

estão associados, e possuidoras de autoridade para as fazer respeitar. Cada utilizador deve ter lido e entendido este manual. Deve certificar-se da compatibilidade dos Equipamentos de Protecção Individual associados, entre eles e com o aparelho derope™. A primeira colocação em serviço do aparelho derope™ deve ser objecto de uma verificação, por um técnico competente, da conformidade do estado do aparelho perante os controlos recomendados neste manual.

4. Se a utilização do aparelho derope™ for confiada a pessoal assalariado ou similar, queira conformar-se com a regulamentação do trabalho aplicável.
5. Qualquer pessoa levada a utilizar o aparelho derope™ deve satisfazer as condições de aptidão física e profissional para efectuar trabalhos em altura e operações de salvamento. Em caso de dúvida, consultar o seu médico ou o médico do trabalho. Essa pessoa deve ter recebido, em condições sem riscos, uma formação prévia adequada, teórica e prática associando os Equipamentos de Protecção Individual em conformidade com as exigências de segurança. Esta formação deve incluir uma informação completa sobre os capítulos deste manual referentes a essa utilização. O uso deste aparelho é proibido às mulheres grávidas.
6. O aparelho derope™ deve ser utilizado exclusivamente para a evacuação ou o salvamento de pessoas, conforme as indicações deste manual. Não é autorizado qualquer outro uso. Em particular, nunca deve ser utilizado como sistema de suspensão ou como componente de um sistema antiqueda nos termos da norma EN 363.
7. Antes de qualquer utilização do aparelho, é necessário confirmar a existência e a legibilidade das marcações presentes no aparelho. Para qualquer pedido, contactar a Tractel S.A.S ou o seu distribuidor.
8. A utilização do aparelho derope™ requer que lhe sejam associados e ligados Equipamentos de Protecção Individual antiqueda ou de salvamento. Um arnês antiqueda (EN 361), um arnês de salvamento (EN 1497), uma cinta de salvamento (EN 1498 classe A ou classe B) são os únicos dispositivos de preensão ao corpo permitidos durante uma operação de socorro, em ligação com o aparelho derope™.
9. Qualquer ponto de amarração a que o aparelho derope™ será fixado deve obedecer aos requisitos da norma EN 795 ou, não existindo, ter uma resistência ao arranque de pelo menos 10kN (1 tonelada).
10. Consultar a Tractel S.A.S antes de qualquer utilização em ambiente que apresente um risco específico, designadamente e de modo não

exaustivo: ambiente corrosivo ou que apresente um risco químico, ambiente com risco de explosão, eléctrico, de radiações, etc.

11. Antes de cada sequência de utilização, o operador socorrista deve efectuar um exame visual do aparelho derope™, de modo a confirmar que está em bom estado de serviço, assim como dos Equipamentos de Protecção Individual associados, e que os mesmos são compatíveis e estão correctamente instalados e ligados conforme as recomendações dos respectivos manuais.
12. Antes de utilizar os equipamentos tratados neste manual, é indispensável certificar-se de que não existe qualquer obstáculo na trajectória da evacuação nem risco de contacto com um objecto perigoso.
13. Antes de qualquer utilização deste aparelho, é necessário consultar o plano de salvamento elaborado pelo responsável da área da intervenção.
14. A Tractel S.A.S recomenda que cada operador socorrista esteja equipado com um meio de comunicação que lhe permita lançar uma chamada de emergência em caso de incidente.
15. Num sistema ant queda, é essencial verificar o espaço livre debaixo do operador socorrista, no local de trabalho, antes de cada utilização, de modo que no caso de queda não haja o risco de colisão com o chão nem a presença de um obstáculo na trajectória de queda. A altura livre deve ser suficiente.
16. Os equipamentos objecto deste manual estão adaptados a uma utilização a temperaturas entre -35°C e 50°C. Em temperaturas negativas (-35°C a 0°C), é obrigatório verificar se o equipamento está seco, incluindo a drisse.
17. Durante a utilização dos equipamentos objecto deste manual, é obrigatório respeitar, nos termos do § 7-1:
 - A carga máxima.
 - A carga mínima de 30 kg.
 - A altura de descida máxima.
 - O número de descidas repetidas.
 - A altura acumulada de descidas.
18. Se a altura acumulada de descidas atingir os limites especificados, é obrigatório mandar efectuar a revisão do equipamento (ver § 10-1).
19. O aparelho derope™, UP R deve ser utilizado exclusivamente com o tripé trapcode da Tractel®. É proibida qualquer utilização semelhante com um tripé de outra proveniência.
20. Depois de cada utilização do aparelho derope™, o mesmo, assim como os Equipamentos de Protecção Individual em questão, devem ser

verificados imperativamente antes de serem repostos em serviço. Esta verificação deve ser efectuada segundo as indicações deste manual, por um técnico competente para o efeito, o qual autorizará por escrito a reutilização dos mesmos. Em caso de observação visual de um defeito ou de dúvida quanto ao estado do aparelho derope™ ou de um Equipamento de Protecção Individual associado, esse aparelho deve ser retido para evitar a sua utilização antes do conserto, após o qual qualquer nova utilização deverá ser autorizada por escrito por um técnico competente e formado. Enviar qualquer aparelho derope™ que apresente uma deterioração ou uma dúvida, à Tractel S.A.S ou ao seu distribuidor.

21. Um controlo periódico do aparelho derope™ e dos Equipamentos de Protecção Individual associados, pelo menos uma vez por período de 12 meses, deve ser organizado sob a direcção de um técnico competente, devidamente formado para o efeito, o qual autorizará por escrito a reutilização do aparelho. Esta formação pode ser fornecida pela Tractel S.A.S. Este controlo deve ser efectuado nos termos da Directiva 89/656/CEE e das recomendações deste manual assim como do manual de manutenção.
22. A Tractel S.A.S declina qualquer responsabilidade pelas consequências de uma desmontagem do aparelho derope™ ou de qualquer modificação efectuada sem o seu controlo, em particular no caso de substituição da drisse por uma pessoa não autorizada.
23. Para garantir uma operação de evacuação ou de salvamento com toda a segurança, se o aparelho derope™ for vendido fora do primeiro país de destino, o vendedor deve fornecer este manual de instruções no idioma do país de utilização do aparelho derope™.


2. Definições e pictogramas


2.1. Definições

- **Descensor:** Dispositivo de salvamento por meio do qual uma pessoa pode descer de um lugar em altura até ao chão, a velocidade controlada, sozinha ou com a assistência de um socorrista. Obedece à norma EN 341.
- **Utilizador:** Pessoa ou serviço responsável da gestão e da segurança de utilização do produto descrito no manual. (Não confundir com «operador» embora possa ser a mesma pessoa). A noção de utilizador não é a de «cliente» nem a de «operador».
- **Técnico:** Pessoa qualificada, encarregada das operações de manutenção descritas e autorizadas ao utilizador pelo manual, que é competente e familiarizada com o produto.


- **Mosquetão:** Elemento de ligação entre componentes de um sistema antiqueda. Obedece à norma EN 362.
- **Drisse:** Corda que possui uma alma interna multi-filamentos e uma manga externa cilíndrica.
- **Ancoragem:** Dispositivo de fixação de um sistema antiqueda, de resistência mínima 10 kN (1 tonelada). Obedece à norma EN 795.
- **Linga de segurança:** Elemento de ligação entre um ponto de amarração e um sistema a tornar seguro.
- **Pino de aperto:** Sistema de bloqueio para drisse.
- **Guia drisse:** Sistema de transmissão da drisse.
- **Suporte:** Dispositivo de fixação de um descensor para uma escada ou um tripé de manobra.
- **Ponto de amarração de salvamento:** Ponto de ligação específico que se encontra num arnês ou numa cinta de salvamento para a amarração dos sistemas de salvamento ou de evacuação.
- **Volante de manobra:** Volante que equipa o aparelho derope™ de tipo UP cuja manobra permite elevar uma pessoa de alguns metros.
- **Arnês antiqueda:** Dispositivo de preensão do corpo destinado a parar as quedas. É constituído por cintas e fechos. Comporta pontos de amarração antiqueda marcados com um A se podem ser utilizados sozinhos, ou marcados A/2 se devem ser utilizados combinados com outro ponto A/2. Obedece à norma EN 361.
- **Arnês de salvamento / cinta de salvamento:** Dispositivos de preensão do corpo destinados a manter uma pessoa a evacuar numa posição determinada durante uma operação de salvamento. Obedecem às normas EN 1497 e EN 1498.
- **Tripé de manobra:** Tripé cujos três pés são ajustáveis em altura e que constitui um ponto de amarração. Obedece à norma EN 795 classe B.
- **Evacuação voluntária:** A pessoa evacua sozinha ou com a assistência de uma pessoa competente em local em altura para o chão.
- **Evacuação de salvamento:** A pessoa em perigo é evacuada por um socorrista.
- **Placa multi-amarração:** Permite fixar vários mosquetões ao mesmo ponto de amarração. Permite orientar e distribuir a carga durante as manobras de salvamento.
- **Roldana dupla em linha:** Roldana equipada com duas rodas alinhadas, bem adaptada para a evacuação em corda tensa. Obedece à norma EN 12278.


2.2. Pictogramas

 **PERIGO:** Colocado no começo da linha, designa certas instruções destinadas a evitar danos nas pessoas, designadamente ferimentos mortais, graves ou ligeiros, assim como os danos ambientais.

 **IMPORTANTE:** Colocado no começo da linha, designa certas instruções destinadas a evitar uma falha ou um dano nos equipamentos, mas não pondo directamente em perigo a vida ou a saúde do operador

ou de outras pessoas, e/ou não sendo susceptível de causar danos ambientais.

 **NOTA:** Colocado no começo da linha, designa certas instruções destinadas a assegurar a eficácia ou a comodidade de uma instalação, de uma utilização ou de uma operação de manutenção.

 Obrigação de ler o manual de instruções.

 **REGISTAR NA FOLHA DE CONTROLO:**

Inscriver as informações na folha de controlo destacável situada na página central deste manual.

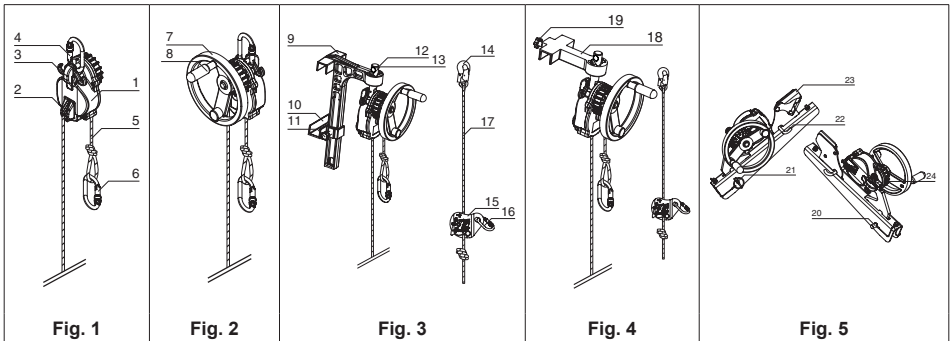
3. Apresentação do aparelho

3.1. Versões dos aparelhos

Designação Comercial	derope™ STD Fig. 1	derope™ UP A Fig. 2	derope™ UP B Fig. 3	derope™ UP K Fig. 4	derope™ UP R Fig. 5
Descrição	Descensor derope™ standard.	Descensor derope™ com recuperador.	Descensor derope™ com recuperador equipado com um grande suporte.	Descensor derope™ com recuperador equipado com um pequeno suporte.	Descensor derope™ com recuperador entregue com um suporte para tripé de manobra.
Descrição funcional	Descensor de pessoa de velocidade controlada e funcionamento pendular.	Descensor derope™ STD equipado com uma função de salvamento por elevação accionado por meio de um volante de manobra.	Descensor derope™ UP A equipado com um suporte de fixação para escada com bloqueio.	Descensor derope™ UP A equipado com um suporte de apoio para escada.	Descensor derope™ UP A equipado com um suporte de fixação para o tripé de manobra tracpede da Tractel®.
Composição de entrega	- Descensor. - Drisse. - 3 mosquetões. - Manual + certificado de conformidade.		- Descensor. - Drisse. - 2 mosquetões. - Linga de segurança equipada com 2 mosquetões e dispositivo de ajuste do comprimento LCM 05. - Suporte de fixação ou de apoio - Manual + certificado de conformidade.		- Descensor. - Drisse. - 2 mosquetões. - Suporte de fixação equipado com fuso de amarração para o tripé. - Manual + certificado de conformidade

PT

3.2. Esquemas dos aparelhos



- 1: caixas
- 2: pino de aperto
- 3: guia drisse aparelho
- 4: mosquetão superior
- 5: drisse
- 6: mosquetão de extremidade de drisse
- 7: volante de manobra
- 8: punho escamoteável
- 9: suporte de fixação para escada com bloqueio
- 10: carro de bloqueio
- 11: eixo de bloqueio
- 12: eixo de amarração
- 13: pino de indexação
- 14: mosquetão de linga de segurança
- 15: dispositivo de ajuste LCM 05
- 16: mosquetão do dispositivo de ajuste LCM 05
- 17: linga de segurança
- 18: pequeno suporte de apoio
- 19: eixo de bloqueio
- 20: fuso de amarração
- 21: pino mola
- 22: guia drisse suporte
- 23: pino de aperto de drisse
- 24: vis de bloqueio

3.3. Conformidade com as regulamentações

- EN 341 classe A: descensor de alta capacidade de descida.
- EN 1496 classe A: sistema de salvamento por elevação.
- Artigo 11 B da Directiva 89/686/CEE, sob o controlo de um organismo notificado: APAVE SUDEUROPE, CS60193, F-13322 Marseille, Cedex 16, France, identificado pelo número 0082.
- O equipamento é idêntico ao E.P.I. objecto do exame CE de tipo emitido pela APAVE SUDEUROPE, CS60193, F-13322 Marseille, Cedex 16, France, identificado pelo número 0082, e testado segundo as normas EN 341 classe A de 1993, EN 1496 classe A de 2006.

4. Função e descrição

4.1. Funções

4.1.1. Função descensor

Esta função permite descer 1 ou 2 pessoas a velocidade regulada entre 0,5 e 2 m/s graças a um sistema de travão centrífugo trabalhado nos dois sentidos. O aparelho pode ser utilizado em modo pendular. A função descensor encontra-se em todos os modelos de aparelho derope™ da gama Tractel®.

4.1.2. Função recuperador

Esta função permite evacuar para cima a pessoa a socorrer.

- Pode ser realizada por meio de um volante de manobra equipado com um punho recolhível e acionado pelo socorrista. A velocidade de subida é da ordem de 1 m/min.
- Pode ser realizada por meio de uma ferramenta portátil do tipo berbequim / aparafusadora instalada na extremidade do pinhão no centro do volante de manobra que está equipado com uma peça de encaixe hexagonal. A velocidade de subida é da ordem de 5 m/min.

Esta função está presente nos aparelhos derope™ UP A / UP B / UP K / UP R.

4.1.3. Função abrandamento ou parada de descida

Fazendo passar o troço livre da drisse do aparelho na guia corda, o socorrista pode abrandar ou mesmo parar manualmente a descida.

Para manter o aparelho parado, o troço livre deve ser introduzido no pino de aperto que se encontra no aparelho. Esta função encontra-se em todos os modelos de aparelhos derope™ da gama Tractel®.

4.1.4. Função de amarração

4.1.4.1. Aparelho derope™ STD e UP A

Estes dois aparelhos fixam-se por meio de um mosquetão, situado no cimo do aparelho, em qualquer ponto de amarração conforme as exigências da norma EN 795 ou em qualquer outra estrutura com resistência superior a 10 kN (1 tonelada).

4.1.4.2. Aparelho derope™ UP B

Este aparelho está equipado com um suporte de fixação para escadas. Este suporte deve ser bloqueado em 2 barras de escada consecutivas e deve ser obrigatoriamente travado com a linga de segurança conforme as recomendações do § 6.

4.1.4.3. Aparelho derope™ UP K

Este aparelho está equipado com um suporte de apoio sobre barra ou escada. Este suporte deve ser bloqueado e deve ser obrigatoriamente travado com a linga de segurança conforme as recomendações do § 6.

4.1.4.4. Aparelho derope™ UP R

Este aparelho está equipado com um suporte de fixação destinado a ser fixado exclusivamente no tripé de manobra trapcode da Tractel®. Este suporte deve ser bloqueado num dos pés do tripé por meio do fuso de amarração.

4.2. Acessórios

O saco especial para aparelho derope™ com a bobina foi concebido para o aparelho derope™ STD ou o aparelho derope™ UP A com até 80 metros de drisse. Este saco permite transportar e manipular facilmente o equipamento durante as intervenções de salvamento. Os aparelhos derope™ podem receber em opção um enrolador destinado a desenrolar e a suprimir o risco de embaraçamento da drisse no momento da sua utilização.

4.3. Especificações técnicas e de utilização do produto com materiais utilizados

Designação Comercial	derope™ STD	derope™ UP A	derope™ UP B	derope™ UP K	derope™ UP R
Peso (kg)	1.9	3.0	6.1	4,6	6.5
Dimensões indicativas (mm) (a x c x p)	170 x 120 x 105	225 x 200 x 165	430 x 200 x 315	265 x 200 x 325	485 x 265 x 165
Guincho de recuperação	Sem objecto	Sim			
Carga máx. de recuperação	Sem objecto	120 kg			
Esforço no punho do volante de manobra	Sem objecto	5 kg			
Normas	EN 341 Classe A	EN 341 Classe A + EN 1496 classe A			
Velocidade descida	Entre 0,5 m/s e 2 m/s				
Drisse	Drisse Tractel® diâmetro 10,5 mm				

4.4. Drisse

⚠ PERIGO: Só a drisse Tractel® fornecida no aparelho é homologada para utilização no aparelho derope™ da Tractel®. Esta drisse pode ser entregue em comprimentos de 10 a 400 m segundo as condições comerciais da Tractel®.

5. Produtos associados

5.1. Dispositivo de prensão do corpo

- Arnês antiqueda conforme à norma EN 361. A pessoa a socorrer deve ser ligada aos pontos de amarração antiqueda. Um ponto de amarração antiqueda é marcado com um A se pode ser utilizado sozinho ou com um A/2 se deve ser utilizado juntamente com outro ponto de antiqueda marcado com um A/2.
- Arnês de salvamento ou cinta de salvamento conformes às normas EN 1497 ou EN 1498. A pessoa a socorrer deve ser ligada ao ponto de amarração de salvamento identificado com uma etiqueta situada próximo do ponto de amarração.

5.2. Dispositivos de ancoragem

- Os dispositivos de ancoragem devem satisfazer os requisitos da norma EN 795. Devem resistir a uma carga mínima de 10 kN (1 tonelada).
- O aparelho derope™ UP R foi especialmente concebido e homologado para ser fixado no pé do tripé de manobra trapcode da Tractel®.

⚠ PERIGO: É proibida qualquer utilização idêntica com um tripé de outra proveniência.

5.3. Roldana dupla em linha

- Roldana equipada com duas rodas alinhadas, bem adaptada para a evacuação em corda tensa.

5.4. Placa multi-amarração

- A placa multi-amarração permite fixar vários mosquetões no mesmo ponto de amarração. Permite

orientar e distribuir a carga durante as manobras de salvamento.

5.5. Berbequim / aparafusadora

- Berbequim / aparafusadora de potência mín. de 300 W utilizável para os derope™ UP para ajudar o operador aquando da evacuação para cima.
- No caso de utilização de um berbequim / aparafusadora sem fio, este deve ter uma bateria de 14 V no mínimo de modo a possuir a potência necessária para esta operação.

6. Instalação

6.1. Disposições prévias à instalação

1. A instalação do aparelho derope™ deve ser realizada por uma pessoa formada e competente.
2. A instalação e a utilização dos aparelhos derope™ devem ser realizadas em conformidade com legislação e a regulamentação do país.

6.2. Verificações antes da instalação

⚠ PERIGO: As verificações descritas a seguir devem ser efectuadas logo que o aparelho derope™ possa ser utilizado, de modo a evitar que uma situação de urgência não permita efectuar essas verificações.

1. Verificação visual da estrutura receptora:
 - Ponto de amarração para os aparelhos derope™ STD e UP A: conforme à norma EN 795 ou de resistência mínima de 10 kN (1 tonelada).
 - Escada para os aparelhos derope™ UP B e UP K:
 - Montantes não deformados, fixados correctamente à parede: resistência mínima de 10 kN (1 tonelada).
 - Barras nas quais o suporte será instalado não deformadas.
 - Tripé de manobra trapcode da Tractel® para os aparelhos derope™ UP R.
 - Pés telescópicos não deformados, não dobrados.

- Presença dos patins de borracha debaixo dos pés.
 - Presença de uma roldana de transmissão na cabeça do tripé trapode.
 - Sem marcas de deformação, de corrosão na cabeça do tripé trapode.
 - Presença do fuso anti-desencaixe da drisse da roldana de transmissão.
2. Verificação visual da drisse em todo o comprimento assim como das extremidades para confirmar a integridade da manga da drisse e a regularidade do diâmetro.
 3. Verificação do funcionamento do aparelho por meio de um movimento manual da drisse no aparelho num comprimento mínimo de 1 m nos dois sentidos, para confirmar que a resistência ao deslocamento aumenta com a velocidade de deslocamento.
 4. Verificação do bom estado das caixas: ausência de danos significativos, existência e legibilidade de todas as marcações.
 5. Verificação dos mosquetões: ausência de deformação e de corrosão, fecho e bloqueio em funcionamento.
 6. Verificação dos suportes para os aparelhos derope™ UP B / UP K / UP R: ausência de deformação e de corrosão, bloqueio funcional.
 7. Verificação das lingas de segurança para os aparelhos derope™ UP B e UP K: verificação da drisse, dos mosquetões, do dispositivo de ajuste do comprimento.
 8. Verificação de todos os produtos associados segundo as recomendações dos respectivos manuais.
 9. Confirmar que o aparelho derope™ foi objecto de um controlo periódico nos últimos 12 meses.
 10. Confirmar que o aparelho derope™ tem ou não potencial em número de descidas consecutivas em altura de descida ou em carga a evacuar para realizar a operação: ver quadro 2 do § 7-1.

⚠ PERIGO: Em caso de anomalia observada durante essas verificações, o aparelho deve ser retido para evitar qualquer utilização, em seguida deve ser sujeito a um conserto por uma pessoa formada e competente (ver § 10-1).

6.3. Instalação do aparelho derope™

6.3.1. Aparelho derope™ STD e aparelho derope™ UP A

1. Identificar ou preparar o ponto de amarração para receber o aparelho derope™.

2. Confirmar que o ponto de amarração obedece à norma EN 795 ou que apresenta uma resistência superior a 10 kN (1 tonelada).
3. Fixar o aparelho derope™ por meio do mosquetão superior no ponto de amarração previsto para realizar a operação de salvamento, acima da pessoa a evacuar.
4. Bloquear o mosquetão.
5. Atirar a drisse para baixo e verificar se não fica emaranhada, se não tem nós, se não está apoiada numa aresta viva e se chega até ao chão.
6. Verificar a ausência de qualquer obstáculo no trajecto da evacuação e na zona de recepção. Exemplos: fios eléctricos, ferro para betão, superfície envidraçada.

6.3.2. Aparelho derope™ UP B (Fig. 6)

1. Instalar o grande suporte a bloquear na barra da escada na posição escolhida para efectuar a operação de salvamento, acima da pessoa a evacuar (Fig. 6, 1).
2. Subir o carro de bloqueio ao nível da barra imediatamente abaixo do que recebe o grande suporte (Fig. 6, 2).
3. Apertar o eixo de bloqueio do carro com o botão de aperto que se encontra no lado do suporte (Fig. 6, 3).
4. Instalar a linga de segurança:
 - Fixar o mosquetão do dispositivo de ajuste LCM 05 no furo do cimo do eixo de amarração (Fig. 6, 4.1).
 - Passar a linga de segurança à volta da barra da escada situada acima do suporte, contornando um dos montantes da escada (Fig. 6, 4.2).
 - Ligar o mosquetão da linga de segurança no mosquetão do dispositivo de ajuste LCM 05 (Fig. 6, 4.3).
 - Esticar a linga de segurança puxando pelo troço livre (Fig. 6, 4.4).
5. Atirar a drisse para baixo e verificar se não fica emaranhada, se não tem nós, se não está apoiada numa aresta viva e se chega até ao chão.
6. Verificar a ausência de qualquer obstáculo no trajecto da evacuação e na zona de recepção. Exemplos: fios eléctricos, ferro para betão, superfície envidraçada.
7. Orientar o aparelho derope™ conforme a necessidade, modificando a posição do eixo de amarração no dispositivo de indexação (Fig. 6, 7.1 – 7.2).

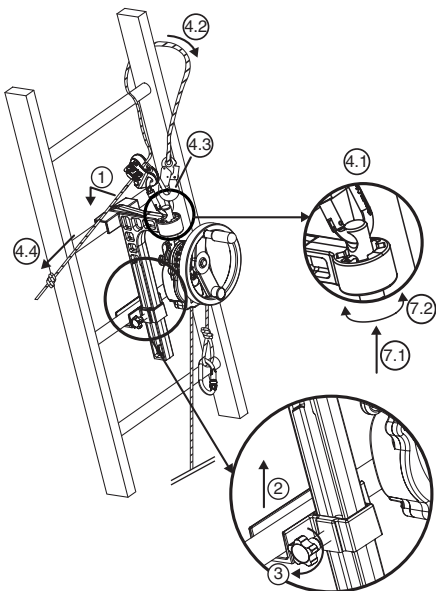


Fig. 6

6.3.3. Aparelho derope™ UP K (Fig. 7)

1. Instalar o pequeno suporte de apoio na barra da escada na posição necessária para efectuar a operação de salvamento, acima da pessoa a evacuar (Fig. 7, 1).
2. Apertar o eixo de bloqueio que se encontra na traseira do suporte de apoio com o botão de aperto (Fig. 7, 2).
3. Instalar a linga de segurança:
 - Fixar o mosquetão do dispositivo de ajuste LCM 05 no furo do cimo do eixo de amarração (Fig. 7, 3.1).
 - Passar a linga de segurança em volta da barra da escada situada acima do suporte e contornando um dos montantes da escada (Fig. 7, 3.2).
 - Ligar o mosquetão da linga de segurança no mosquetão do dispositivo de ajuste LCM 05 (Fig. 7, 3.3).
 - Esticar a linga de segurança puxando pelo troço livre (Fig. 7, 3.4).

⚠ PERIGO: Existe o risco de queda e de acidente mortal se a linga de segurança não estiver instalada correctamente.

4. Atirar a drisse para baixo e verificar se não fica emaranhada, se não tem nós, se não está apoiada numa aresta viva e se chega até ao chão.

5. Verificar a ausência de qualquer obstáculo no trajecto da evacuação e na zona de recepção. Exemplos: fios eléctricos, ferro para betão, superfície envidraçada.

6. Orientar o aparelho derope™ conforme a necessidade, modificando a posição do eixo de amarração no dispositivo de indexação (Fig. 7, 6.1 – 6.2).

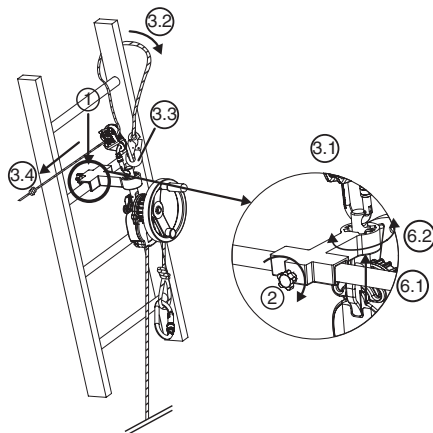


Fig. 7

6.3.4. Aparelho derope™ UP R (Fig. 8, 9 e 10)

O aparelho derope™ UP R deve ser fixado no pé do tripé trapcode da Tractel® como indicado na Fig. 8. É proibida qualquer outra fixação em outro ponto do tripé trapcode da Tractel®.

De modo a poder utilizar um aparelho derope™ UP R num dos 3 pés do tripé trapcode, este deve ser equipado com uma roldana de transmissão na parte superior, ou com duas roldanas se for utilizado outro aparelho no mesmo tripé trapcode (antiqueda com chamada automática blocfor™ ou guincho caRoI™). Se o aparelho derope™ UP R não for instalado no suporte para trapcode da Tractel®, efectuar a instalação conforme as instruções seguintes:

1. Desapertar o parafuso de bloqueio do gancho de amarração do suporte para aparelho derope™ UP R (Fig. 8, 1).
2. Instalar o aparelho derope™ UP R no gancho de amarração (Fig. 8, 2.1 – 2.2).
3. Apertar o parafuso de bloqueio de modo a impedir que o aparelho se separe do suporte (Fig. 8, 3) e verificar se está correctamente no sítio e apertado.

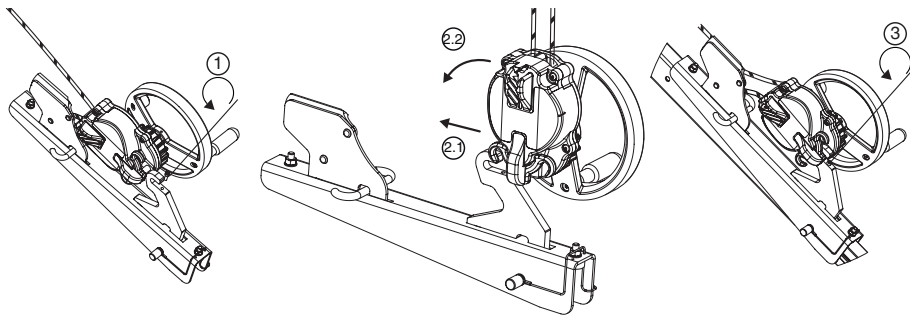


Fig. 8

Quando o aparelho derope™ UP R é instalado no suporte para tracpode da Tractel®.

1. Colocar o tripé tracpode da Tractel®, não desdobrado, no chão.
2. Ajustar os pés do tripé tracpode da Tractel®, para obter a altura desejada: ver o manual de instruções do tripé tracpode.
3. Escolher o pé do tripé tracpode da Tractel® que comporte uma roldana de transmissão no cimo; neste pé, retirar o fuso de bloqueio.
4. Posicionar o furo de amarração do suporte diante do furo de bloqueio do pé do tripé tracpode da Tractel®.



IMPORTANTE: Atenção ao sentido da montagem: o bloqueador de drisse deve ficar voltado para cima do tripé tracpode (Fig. 9).

5. Instalar o fuso de amarração do suporte para aparelho derope™ UP R. Este fuso de amarração desempenha duas funções: bloqueio do pé do tripé tracpode e amarração do suporte para aparelho derope™ UP R neste pé (Fig. 9, 5).
6. Bloquear o fuso de amarração por meio do pino mola (Fig. 9, 6).
7. Desdobrar totalmente os 3 pés do tripé tracpode.
8. Retirar o fuso com esfera que se encontra por cima da roldana de transmissão no cimo do tripé tracpode (Fig. 10, 8).
9. Passar a drisse do aparelho derope™ em volta da roldana de transmissão (Fig. 10, 9).
10. Reinstalar o fuso com esfera de modo a impedir que a drisse saia da roldana de transmissão (Fig. 10, 10).
11. Abrir o pino de aperto de drisse do suporte (Fig. 9, 11).

12. Introduzir a drisse que sai do aparelho derope™ no pino de aperto de drisse do suporte (Fig. 9, 12).

13. Atirar a drisse para baixo e verificar se não fica emaranhada, se não tem nós, se não está apoiada numa aresta viva e se chega até ao chão.

14. Fechar o pino de aperto de drisse (Fig. 9, 14).

15. Verificar a ausência de qualquer obstáculo no trajecto da evacuação e na zona de recepção. Exemplos: fios eléctricos, ferro para betão, superfície envidraçada.

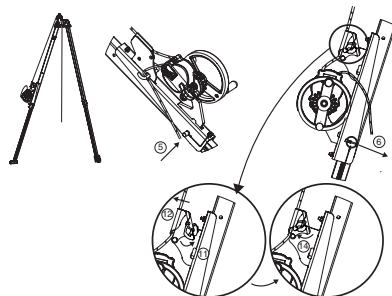


Fig. 9

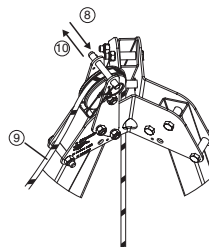


Fig. 10

6.3.5. derope™ UP com berbequim / aparafusadora

PERIGO:

- Antes de instalar o berbequim / aparafusadora na extremidade do eixo do volante do aparelho derope™ UP R, assegurar-se de que o punho recolhível do volante de manobra está devidamente recolhido.
- Posicionar o mandril do berbequim / aparafusadora sobre o encaixe hexagonal na extremidade do eixo do volante de manobra.
- Bloquear o mandril sobre o eixo com o encaixe hexagonal.

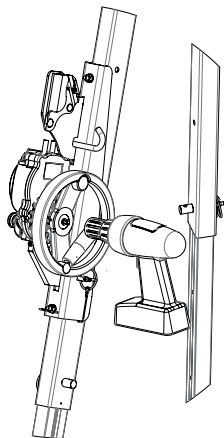



Fig. 11

Utilização	derope™ STD	derope™ UP A	derope™ UP B	derope™ UP K	derope™ UP R
Evacuação voluntária vertical	Sim	Sim	Sim (*)	Sim (*)	Não
Evacuação voluntária em plano inclinado	Sim	Sim	Não	Não	Não
Evacuação de salvamento	(***)	Sim	Sim (*)	Sim (*)	Sim (**)

*: utilização unicamente em escada

** : utilização em tripé trapode da Tractel® por cima de uma abertura para o vazio, como um poço, um silo, etc.

***: Não se utiliza um aparelho derope™ sozinho. Sim se utiliza um aparelho derope™ com um aparelho de movimentação de pessoa que permita subir a pessoa a evacuar, para afrouxando o sistema antiqueda.

 **PERIGO: Em descida, a utilização do aparelho derope™ é limitada em carga, em altura de descida e em número de descidas repetidas.**


Em caso de descida única:

- A carga máxima é de 225 kg para uma altura de descida máxima de 200 m.
- A altura de descida máxima é de 400 m para uma carga máxima de 150 kg.

Em caso de descidas repetidas, a utilização do aparelho derope™ é limitada em carga, em altura de

7. Utilização

7.1. Recomendações de utilização e limites de utilização do aparelho derope™

 **PERIGO:** Os aparelhos derope™ podem ser utilizados durante trabalhos em altura. Nessas condições, recordamos com insistência que os trabalhos em altura estão sujeitos às disposições seguintes.

- As pessoas que trabalham em altura devem possuir plenamente os seus meios físicos e psicológicos.
- As pessoas que trabalham em altura devem ser especialmente formadas para o efeito.
- Os trabalhos em altura são proibidos às mulheres grávidas.

– A realização de trabalhos em altura deve ser precedida da elaboração de um plano de resgate.

Em caso de evacuação voluntária, os aparelhos derope™ são utilizados exclusivamente por pessoas formadas e competentes, ou sob a vigilância de uma pessoa habilitada.

Em caso de evacuação de salvamento, as operações de salvamento são realizadas exclusivamente por pessoas formadas e habilitadas para o efeito

As recomendações de utilização dos diversos modelos de aparelhos derope™ encontram-se no quadro seguinte.

descida e em número de descidas repetidas conforme os limites indicados no quadro seguinte.

		Número máximo de descidas repetidas			
Altura de descida		< 50 m	< 125 m	< 200 m	< 400 m
Carga de utilização	Inf. a 100 kg	60	24	15	7
	Sup. a 100 kg e Inf. a 150 kg	20	8	5	2
	Sup. a 150 kg e Inf. a 225 kg	6	2	1	Proibido

⚠ PERIGO: Depois de cada utilização, em descida única ou descidas repetidas, o aparelho derope™ deve ser objecto de uma verificação por uma pessoa formada e competente para esta operação.

⚠ PERIGO: É necessário vigiar a altura acumulada de descida. Se a altura acumulada de descida exceder os limites indicados no quadro do § 10-1, seja qual for o tempo passado para chegar a essa acumulação, o aparelho deve ser objecto de uma revisão segundo o § 10-1, a realizar por uma pessoa formada e competente para esta operação.

O aparelho pode ser utilizado entre -35°C e +50°C.

⚠ PERIGO: Para ser utilizado a temperaturas negativas (entre -35°C e 0°C), o aparelho deve estar seco, incluindo a drisse.

⚠ PERIGO: A pessoa que utiliza um aparelho derope™ deve ter mais de 30 kg de peso.

⚠ PERIGO: Para evitar qualquer risco de queimadura, é proibido tocar no aparelho derope™ durante o funcionamento e enquanto não arrefecer.

7.2. Evacuação voluntária vertical

Este tipo de evacuação deve ser realizado com o aparelho derope™ STD, o aparelho derope™ UP A, o aparelho derope™ UP B ou o aparelho derope™ UP K, sendo os dois últimos destinados a serem utilizados a partir de uma escada.

A pessoa a evacuar deve estar equipada com um arnês antiqueda (EN 361), um arnês de salvamento (EN 1497) ou uma cinta de salvamento (EN 1498 classe A ou B).

Durante a evacuação voluntária vertical, a pessoa não se deve afastar mais de 20° em relação à vertical para evitar um efeito excessivo de balanço.

1. Depois de ter instalado o aparelho derope™ segundo as instruções do § 6, proceder como indicado.
2. Fixar a pessoa a evacuar ou fixar-se a si mesmo pelo mosquetão na extremidade do troço de evacuação do aparelho derope™ a:
 - Um ponto de amarração do arnês antiqueda EN 361: estes pontos são marcados A se podem ser utilizados sozinhos ou A/2 se precisam de

ser utilizados juntamente com outro ponto de amarração marcado A/2.

- Um ponto de amarração do arnês de salvamento EN 1497 ou da cinta de salvamento EN 1498 classe A ou B que são identificados por uma etiqueta próximo desse ponto de amarração.
3. Puxar pelo troço livre da drisse para esticar o troço de evacuação.
 4. Passar o troço livre da drisse na guia e depois no pino de aperto.
 5. Se necessário, verificar se o punho do volante de manobra do aparelho derope™ UP está recolhido
 6. Colocar a pessoa a evacuar por cima do vazio. A pessoa não desce visto que a drisse está bloqueada pelo pino de aperto.
 7. Começar a descida libertando o troço livre da drisse do pino de aperto.
 8. Depois de chegar ao chão, soltar a pessoa.
 9. O mosquetão do troço livre subiu para o aparelho derope™ durante a evacuação. Se houver outra pessoa a evacuar, recomeçar os pontos 1 a 7.
 10. Em caso de descidas repetidas, respeitar o número máximo de descidas indicado no quadro § 7.1.

7.3. Evacuação voluntária em plano inclinado (Fig. 12)

Este tipo de evacuação deve ser realizado com o aparelho derope™ STD ou o aparelho derope™ UP A. O local a evacuar deve estar equipado com um cabo ou uma corda tensionados, formando um ângulo entre 30° e 60° com a vertical. Uma roldana dupla em linha com uma placa multi-amarração deve ser posicionada no cimo do cabo.

A pessoa a evacuar deve estar equipada com um arnês antiqueda comportando, de preferência, por motivos de conforto, um ponto de amarração torácica (EN 361), um arnês de salvamento (EN 1497) ou uma cinta de salvamento (EN 1498 classe B).

1. Depois de ter instalado o aparelho derope™ conforme as instruções do § 6, ligar o troço de evacuação do aparelho derope™ na placa multi-amarração, solidária da roldana dupla em linha.
2. Instalar uma linga provida de dois mosquetões entre a placa de ancoragem da roldana dupla em linha e:

- Um ponto de amarração do arnês antiqueda EN 361. Estes pontos são marcados A se podem ser utilizados sozinhos ou A/2 se precisam de ser utilizados juntamente com outro ponto de amarração marcado A/2.
 - Um ponto de amarração do arnês de salvamento EN 1497 ou da cinta de salvamento EN 1498 classe B que é identificado com uma etiqueta próximo desse ponto de amarração.
3. Puxar pelo troço livre do aparelho derope™ para esticar o troço de evacuação.
 4. Passar o troço livre da drisse na guia drisse e depois no pino de aperto.
 5. Verificar se o punho do volante de manobra do aparelho derope™ UP está recolhido.
 6. Deixar-se deslizar ao longo do cabo ou da corda tensionada.
 7. Começar a descida libertando o troço livre do pino de aperto.
 8. Depois de chegar ao chão, soltar a pessoa e a roldana dupla em linha.
 9. O mosquetão do troço livre subiu para o aparelho derope™ durante a evacuação. Se houver outra pessoa a evacuar, recomençar os pontos 1 a 8.

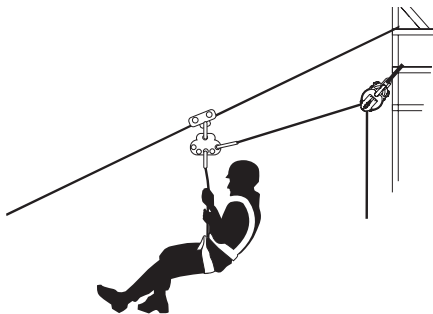



Fig. 12

7.4. Evacuação de salvamento de uma pessoa

 **NOTA:** Este capítulo não constitui de modo algum um processo de resgate. Destina-se a descrever a utilização correcta dos aparelhos derope™ por meio de um exemplo.

Qualquer operação de salvamento deve ser realizada exclusivamente por uma pessoa formada e habilitada para as operações de salvamento. Antes de iniciar uma operação de salvamento, é necessário prevenir os serviços de socorros.

Durante todo o período da descida, o socorrista deve ter um contacto visual com a pessoa a evacuar, de modo a poder agir sendo necessário.

As operações de salvamento descritas neste capítulo são realizadas com um aparelho derope™ UP com recuperador, comportando um volante de manobra, em pessoas equipadas com um sistema antiqueda. Sempre que possível, o socorrista fará a sua intervenção ao nível da pessoa a evacuar. Caso contrário, o socorrista intervém ao nível do ponto de amarração do sistema antiqueda da pessoa a evacuar.

No exemplo seguinte, a pessoa a evacuar está equipada com um sistema antiqueda e acaba de cair. O socorrista intervém em contacto com pessoa a evacuar.

1. Depois de aceder junto da pessoa a evacuar e depois de ter instalado o aparelho derope™ conforme as instruções do § 6, ligar a pessoa a evacuar pelo mosquetão na extremidade do troço de evacuação do aparelho derope™ a:


- Um ponto de amarração do arnês antiqueda EN 361: estes pontos são marcados A se podem ser utilizados sozinhos ou A/2 se precisam de ser utilizados juntamente com outro ponto de amarração marcado A/2.
- Um ponto de amarração do arnês de salvamento EN 1497 ou da cinta de salvamento EN 1498 classe B que são identificados por uma etiqueta próximo desse ponto de amarração.


2. Por meio do volante de manobra, elevar a pessoa a evacuar para afrouxar o sistema antiqueda.
3. Passar o troço livre da drisse na guia drisse e depois no pino de aperto.
4. Recolher o punho do volante de manobra do aparelho derope™ UP.
5. Desligar a pessoa a evacuar do seu sistema antiqueda ao nível do ponto de amarração.
6. Começar a descida libertando o troço livre do pino de aperto.

7.5. Elevação de uma pessoa

Aquando da utilização do aparelho derope™ UP R sobre uma consola do tripé trapcode da Tractel®, é possível elevar uma pessoa:

- ou acionando o volante de manobra manualmente
- ou utilizando um berbequim / aparafusadora.

 **PERIGO:** É indispensável recolher devidamente o punho recolhível antes de utilizar o berbequim / aparafusadora para acionar o aparelho derope™ UP R.

 **PERIGO:** É indispensável segurar o berbequim / aparafusadora com as 2 mãos aquando da operação de elevação de uma pessoa.

⚠ PERIGO: É indispensável não soltar o berbequim / aparafusadora enquanto a pessoa a evacuar estiver suspensa ao aparelho derope™ UP R.

8. Utilizações erradas proibidas

É estritamente proibido:

1. Instalar ou utilizar um aparelho derope™ sem ter sido autorizado, formado e reconhecido competente ou, não sendo possível, sem estar sob a responsabilidade de uma pessoa autorizada, formada e reconhecida competente.
2. Utilizar um aparelho derope™ se uma das marcações no aparelho não estiver presente ou não for legível.
3. Instalar ou utilizar um aparelho derope™ que não foi sujeito às verificações prévias (ver § 6-2).
4. Utilizar um aparelho derope™ que não foi objecto de um controlo periódico, há menos de 12 meses, por um técnico que autorizou a reutilização por escrito (ver §10-1).
5. Utilizar um aparelho derope™ fora do quadro de operações de evacuação ou de salvamento de pessoas.
6. Utilizar qualquer outra drisse além da drisse Tractel S.A.S para aparelho derope™.
7. Fixar um aparelho derope™ a um ponto de amarração que não satisfaça as exigências da norma EN 795. O ponto de amarração deve ter uma resistência mínima de 10 kN.
8. Fixar um aparelho derope™ por outros dispositivos além dos previstos pela Tractel S.A.S.
9. Instalar um aparelho derope™ sem que este se encontre acima da pessoa a evacuar.
10. Utilizar um aparelho derope™ sem ter verificado previamente o espaço disponível em volta da pessoa a socorrer durante a sua descida ou ascensão.
11. Utilizar os aparelhos derope™ UP B e UP K sem instalar a linga de segurança.
12. Utilizar um aparelho derope™ UP R sobre um tripé diferente do tripé trapcode da Tractel S.A.S.
13. Utilizar um aparelho derope™ excedendo a vida útil prevista pela Tractel S.A.S.
14. Utilizar um aparelho derope™ além da carga máxima autorizada ou da altura de descida máxima autorizada.
15. Utilizar um aparelho derope™ com uma pessoa cujo peso é inferior a 30 kg.
16. Utilizar um aparelho derope™ em descidas repetidas além do número máximo de descidas autorizadas.
17. Utilizar um aparelho derope™ no quadro de um sistema antequeda no sentido da norma EN 363.
18. Utilizar um aparelho derope™ como meio de suspensão para se manter em posicionamento.
19. Utilizar um aparelho derope™ em atmosfera explosiva.
20. Expor um aparelho derope™ ou a respectiva drisse a uma fonte directa de calor ou de luz.
21. Utilizar um aparelho derope™ ou a respectiva drisse fora da gama de temperaturas entre -35°C e +50°C.
22. Pôr um aparelho derope™ ou a respectiva drisse em contacto com substâncias químicas agressivas, superfícies abrasivas ou cortantes.
23. Utilizar o aparelho derope™ se a extremidade da drisse não atingir o chão.
24. Perturbar o auto-alinhamento de um aparelho derope™ em relação à drisse.
25. Impedir a livre rotação do volante de manobra dos aparelhos derope™ UP A, B, K ou R.
26. Inserir qualquer elemento nos orifícios de passagem da drisse de um aparelho derope™.
27. Abrir um aparelho derope™, lubrificá-lo ou efectuar qualquer modificação.
28. Proceder a reparações de um aparelho derope™ sem ter sido formado e reconhecido apto para tal, por escrito, pela Tractel S.A.S.
29. Tocar no aparelho derope™ sem confirmar que arrefeceu depois da utilização.
30. Utilizar o aparelho derope™ UP R sobre uma consola do tripé trapcode da Tractel® com um berbequim / aparafusadora, se o punho recolhível do volante de manobra não estiver recolhido.
31. Utilizar o aparelho derope™ UP R sobre uma consola do tripé trapcode da Tractel® com um berbequim / aparafusadora, se o utilizador não mantiver as 2 mãos sobre o berbequim.
32. Soltar o berbequim / aparafusadora instalado na extremidade do eixo do aparelho derope™ UP R quando houver uma pessoa suspensa.

PT

9. Transporte e armazenagem

Os equipamentos objecto deste manual devem ser armazenados e transportados na embalagem de origem.

Durante a armazenagem e/ou transporte, estes equipamentos devem ser:

1. Conservados secos,
2. Mantidos a uma temperatura entre -35°C e +50°C,
3. Protegidos contra as fontes de calor directo e contra a irradiação UV,
4. Protegidos contra as agressões químicas, mecânicas ou qualquer outra agressão.

10. Verificação periódica

Uma verificação periódica anual é obrigatório, mas conforme a frequência de utilização, as condições ambientais e a regulamentação da empresa ou do país de utilização, as verificações periódicas podem ser mais frequentes.

As verificações periódicas devem ser efetuados por um técnico habilitado e competente e no respeito dos modos operatórios de exame do fabricante transcritos no ficheiro "Instruções de verificação dos EPI Tractel®". A verificação da legibilidade da marcação do produto faz parte da verificação periódica.

No fim da verificação periódica, a recolocação em serviço deve ser autorizada por escrito pelo técnico habilitado e competente que efetuou a verificação periódica. Esta recolocação em serviço do produto deve ser registada na folha de controlo que se encontra no meio do presente manual. Esta folha de controlo deve ser conservada durante toda a duração de vida do produto, até a sua eliminação.

Após ter parado uma queda, o presente produto deve obrigatoriamente ser objeto de uma verificação periódica tal como descrito no presente artigo. Os eventuais componentes têxteis do produto devem ser obrigatoriamente substituídos, mesmo se não apresentarem nenhuma alteração visível.

10.1. Revisão do aparelho



PERIGO: A revisão do aparelho é obrigatória nos casos seguintes:

1. **Em caso de anomalia constatada aquando de um controlo, anual ou não, ou assim que seja identificado um defeito de funcionamento ou um mau estado aparente.**
2. **Quando a acumulação das alturas de descida atingir o limite indicado no quadro a seguir, independente do tempo de uso.**

Limite de alturas acumuladas de descida que exigem obrigatoriamente a revisão do aparelho e a substituição da drisse.

Carga	Inf. a 100 kg	3000 m
	Sup. a 100 kg e Inf. a 150 kg	1000 m
	Sup. a 150 kg e Inf. a 225 kg	300 m

A revisão do aparelho é realizada exclusivamente por uma pessoa formada e competente para realizar as operações de manutenção, pela Tractel® ou por um reparador autorizado.

É obrigatório efectuar a substituição da drisse logo que o aparelho atingir as alturas acumuladas indicadas no quadro acima.

11. Vida útil

Os EPI têxteis Tractel® tais como arneses, lingas, cordas e absorsores, os EPI mecânicos Tractel® tais como os antiquedas stopcable™ e stopfor™, os antiquedas de bloqueio automático blocfor™ e as linhas de vida Tractel® são utilizáveis sob reserva de que, a contar da sua data de fabrico, sejam objeto:

- de uma utilização normal no respeito das preconizações de utilização do presente manual.
- de um exame periódico que deve ser realizado no mínimo 1 vez por ano por um técnico habilitado e competente. No fim deste exame periódico, o EPI deve ser declarado por escrito apto à sua recolocação em serviço.
- do estrito respeito das condições de armazenagem e de transporte mencionadas no presente manual.

12. Eliminação

Aquando da eliminação do produto, é obrigatório reciclar os diferentes componentes por uma triagem dos materiais metálicos e uma triagem dos materiais sintéticos.

Estes materiais devem ser reciclados junto dos organismos especializados. Aquando da eliminação, a desmontagem para a separação dos constituintes deve ser realizada por uma pessoa competente.

13. Marcação do produto

13.1. Marcação do descensor derope™

As etiquetas dos aparelhos derope™ estão reproduzidas nas figuras 13a, 13b e 13c e indicam:

- a: marca comercial: Tractel®.
- b: designação do produto.
- c: norma de referência seguida do ano de aplicação.
- d: referência do produto: ex 010042.
- e: logótipo CE seguido do n° do organismo notificado artigo 11 B controlo de produção 0082.
- f: ano e semana de fabrico.
- g: número de série.
- h: pictograma indicando que se deve ler o manual antes da utilização.

- i: verificação visual e funcional antes da utilização.
- j: diâmetro da drisse Tractel®.
- k: gama de temperatura de utilização.
- l: cargas limites e comprimentos limites de utilização.
- m: não deixar a drisse em fricção numa aresta viva.
- n: utilização para evacuação simples.
- o: utilização para evacuação em plano inclinado.
- p: utilização para evacuação simples e de salvamento.

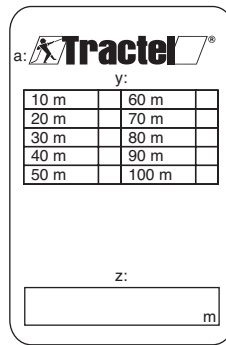


Fig. 14

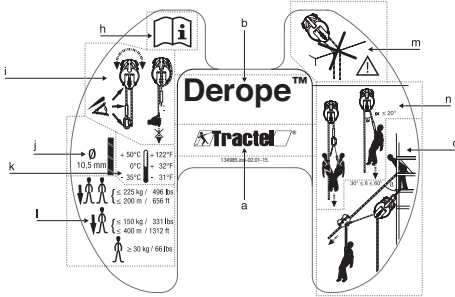


Fig. 13a

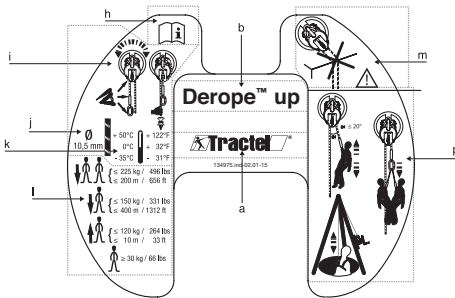


Fig. 13b

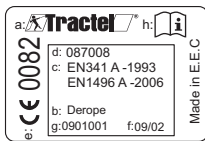


Fig. 13c

13.2. Marcação da drisse

A etiqueta de cada drisse de descensores derope™ está reproduzida na figura 14 e indica:

- a: marca comercial: Tractel®.
- y: comprimento standard da drisse.
- z: comprimento especial da drisse.

Oversigt

1. Generelle advarsler	111
2. Definitioner og piktogrammer	112
3. Præsentation af apparatet.....	114
4. Funktion og beskrivelse.....	115
5. Tilknyttede produkter	116
6. Installation	116
7. Anvendelse	120
8. Forbudt fejlagtig brug	123
9. Transport og opbevaring	123
10. Periodisk kontrol.....	124
11. Levetid	124
12. Kassering	124
13. Mærkning af produktet	124

Indledende bemærkning:

Med henblik på at sikre en konstant forbedring af sine produkter forbeholder Tractel® sig ret til på et vilkårligt tidspunkt at foretage enhver ændring, der anses for at være fordelagtig, af udstyret beskrevet i denne manual. Selskaberne i Tractel® Koncernen og deres autoriserede forhandlere udleverer på forespørgsel en dokumentation vedrørende udvalget med andre products Tractel® produkter: Apparater til ophejsning og traktion samt deres tilbehørsdele, materiel for at få adgang til byggepladser og facader, sikkerhedsanordninger til laster, elektroniske lastindikatorer, etc.

Tractel® netværket kan yde kundeservice og service i forbindelse med periodisk vedligeholdelse.

1. Generelle advarsler

1. Det er strengt nødvendigt for installationen og brugen af materialet samt for materialets sikkerhed at læse denne manual og nøje følge anvisningerne i den, før denne type apparat tages i brug.
2. Denne manual skal udleveres til brugeren af derope™ apparatet og opbevares tilgængelig for enhver operatør/redder. Ekstra eksemplarer kan fås på forespørgsel hos Tractel S.A.S.
3. Ansvar for brug, vedligeholdelse og forvaltning af derope™ apparatet skal betros til personer, som har kendskab til gældende sikkerhedsregler og standarder for denne type materiel og det tilknyttede udstyr og som har myndighed til at få dem overholdt. Alle brugere skal have læst og forstået denne manual. En bruger skal sørge for at delene i hans Personlige Beskyttelsesudstyr er kompatible

med hinanden og med derope™ apparatet. Første gang derope™ apparatet tages i brug skal en kompetent tekniker kontrollere, at apparatet er i overensstemmelse med de anbefalede kontroller i nærværende manual.

4. Hvis brugen af derope™ apparatet betros til en lønmodtager eller lignende, skal den gældende arbejdslovgivning overholdes.
5. Alle de personer, der skal bruge derope™ apparatet, skal opfylde de fysiske og de professionelle betingelser for arbejde i højde og redningsaktioner. I tilfælde af tvivl rådspørg vedkommendes læge eller bedriftslægen. Alle personer skal under ufarlige forhold have modtaget et passende forudgående teoretisk og praktisk kursus i brugen af apparatet med tilknyttet Personligt Beskyttelsesudstyr i overensstemmelse med gældende sikkerhedsregler. Dette kursus skal omfatte en komplet information om afsnittede i denne manual vedrørende brugen. Brugen af dette apparat er forbudt for gravide kvinder.
6. derope™ apparatet må udelukkende bruges til evakuering eller redning af personer i overensstemmelse med angivelserne i denne manual. Ingen anden brug er tilladt. Det må helt specifikt ikke bruges som et ophængningssystem eller som en komponent i et faldsikringsystem iht. standarden EN 363.
7. Før apparatet tages i brug er det nødvendigt at sikre sig, at mærkningen findes på apparatet og at den er læselig. Kontakt Tractel S.A.S eller dennes forhandler vedrørende enhver forespørgsel.
8. Brugen af derope™ apparatet kræver, at man forbinder sig med det med et Personligt Beskyttelsesudstyr til beskyttelse mod fald eller til redningsaktioner. En faldsikringssele (EN 361), en redningssele (EN 1497), en redningsløkke (EN 1498 klasse A eller klasse B) er de eneste anordninger til fastholdelse af kroppen, som det er tilladt at iføre en person, der skal reddes under en redningsaktion ved at forbinde vedkommende med derope™ apparatet.
9. Alle forankringspunkter, som derope™ apparatet fastgøres ved, skal opfylde kravene i standarden EN 795 eller, hvis det ikke er muligt, have en trækmodstand på mindst 10 kN (1 ton).
10. Rådspørg Tractel S.A.S før enhver brug i omgivelser med specifikke risici, herunder blandt andet men ikke udelukkende: et korroderende miljø eller et miljø med kemiske risici, et eksplosivt miljø, et miljø med elektriske risici, et miljø med risiko for stråling, etc...
11. Før hver brugssekvens skal redningsoperatøren foretage en visuel undersøgelse af derope™

apparatet for at sikre sig, at det er i god stand til brug og at delene i det tilknyttede Personlige Beskyttelsesudstyr ligeledes er i god stand til brug samt at de er kompatible, korrekt installeret og forbundet med hinanden i overensstemmelse med deres respektive brugsanvisninger.

12. Før udstyret beskrevet i denne manual bruges, er det strengt nødvendigt at sikre sig, at der ikke findes forhindringer på evakueringsbanen eller risiko for at komme i kontakt med en farlig genstand.
13. Før dette apparat bruges, er det nødvendigt at basere sig på den retningsplan, der er blevet oprettet af den ansvarlige for redningsaktionen på stedet.
14. Tractel S.A.S anbefaler at udstyre alle operatører/reddere med et kommunikationsmiddel, så de har mulighed for at foretage et nødopkald i tilfælde af uheld.
15. I et faldsikringsystem er det væsentligt at kontrollere den frie afstand under operatøren/redderen på arbejdspladsen for hver brug, således at der ikke er risiko for kollision med jorden eller med forhindringer på faldets bane, hvis der skulle ske et fald. Den frie højde skal være tilstrækkelig.
16. Udstyret, der er beskrevet i denne manual, er velegnet til brug ved temperaturer på mellem -35°C og 50°C . Ved minustemperaturer (fra -35°C til 0°C) er det strengt nødvendigt at sikre sig, at udstyret og herunder faldet er tørt.
17. Under brug af udstyret beskrevet i denne manual er det strengt nødvendigt at overholde punkterne anført i § 7-1:
 - Den maksimale belastning.
 - Den minimale belastning på 30 kg.
 - Den maksimale nedfiringshøjde.
 - Antallet af gentagne nedfiringer.
 - Den samlede nedfiringshøjde.
18. Hvis den samlede nedfiringshøjde har nået de specificerede grænser, er det strengt nødvendigt at få udstyret synet (se § 10-1).
19. derope™ UP R apparatet må udelukkende bruges sammen med trapode trefoden fra Tractel®. En lignende brug med en trefod af en anden oprindelse er forbudt.
20. Efter hver brug af derope™ apparatet samt af det tilknyttede Personlige Beskyttelsesudstyr er det strengt nødvendigt at kontrollere samtlige komponenter, før de tages i brug igen. Denne kontrol skal gennemføres i overensstemmelse med angivelserne i denne manual og af en kompetent tekniker, der skriftligt skal tillade deres genbrug. Hvis der konstateres en visuel beskadigelse eller hvis der er tvivl om derope™ apparatets tilstand

eller om et tilknyttet Personligt Beskyttelsesudstyrs tilstand, skal det deponeres forsvarligt for at undgå brug før reparation, hvorefter en ny brug skal autoriseres skriftligt af en kompetent og uddannet tekniker. Hvis der er tvivl om et derope™ apparat eller hvis det er beskadiget, skal det returneres til Tractel S.A.S eller dennes forhandler.

21. Der skal organiseres en periodisk kontrol af et derope™ apparat og de tilknyttede Personlige Beskyttelsesudstyr mindst én gang hver 12 måned under ledelse af en kompetent tekniker, der har fulgt et kursus med henblik herpå og som skal give skriftlig tilladelse til genbrug af apparatet og udstyret. Tractel S.A.S kan organisere dette kursus. Denne kontrol skal foretages i overensstemmelse med direktivet 89/656/EØF og anvisningerne i denne manual samt anvisningerne i vedligeholdelsesmanualen.
22. Tractel S.A.S afviser ethvert ansvar for konsekvenserne af en afmontering af derope™ apparatet eller en ændring, der er foretaget uden firmaets kontrol, især i tilfælde af udskiftning af faldet af en ikke autoriseret person.
23. Hvis derope™ apparatet sælges uden for det første bestemmelsesland, skal sælgeren udlevere nærværende manual udarbejdet på sproget i det land, hvor derope™ skal bruges for at sikre en evakuering eller en redningsaktion i fuld sikkerhed.


2. Definitioner og piktogrammer


2.1. Definitioner


- **Redningsapparat:** Redningsanordning som en person kan bruge til at komme ned fra et punkt højt over jorden med en kontrolleret hastighed, alene eller med hjælp fra en redder. Den er i overensstemmelse med standarden EN 341.
- **Bruger:** Person eller afdeling som er ansvarlig for forvaltningen og brugssikkerheden af produktet beskrevet i denne manual. (Må ikke forveksles med "operatøren", selv om det kan være den samme person). Begrebet bruger er ikke identisk med begrebet "kunde" eller "operatør".
- **Tekniker:** Kvalificeret og kompetent person som er kendt med produktet og som varetager de serviceindgreb, der er beskrevet i manualen og som brugeren har tilladelse til at udføre.
- **Forbindelsesled:** Forbindelselement mellem komponenter i et faldsikringsystem. Det er i overensstemmelse med standarden EN 362.
- **Fald:** Tov som har en indvendig sjæl med flere tråde og en udvendig cylindrisk kappe.
- **Forankring:** Anordning til fastgørelse af et faldsikringsystem med en minimal modstandsstyrke på 10 kN (1 ton). Den er i overensstemmelse med standarden EN 795.

- **Sikringsline:** Forbindelselement mellem et forankringspunkt og et system, der skal sikres.
- **Bremseknast:** Blokeringsystem til fald.
- **Faldstyr:** System til at returnere faldet.
- **Konsol:** Anordning til fastgørelse af et redningsapparat til en stige eller en manøvreringstrefod.
- **Forankringspunkt til redning:** Specifikt forbindelsespunkt på en redningssele eller en redningsløkke til sammenkobling med rednings- eller evakueringssystemet.
- **Manøvreringsrat:** Rat på derope™ apparatet af typen UP som, når det manøvreres, tillader at hejse en person nogle meter op.
- **Faldsikringssele:** Anordning til at fastholde den krop, der skal sikres mod fald. Den består af seler og ringe. Den har tilkoblingspunkter til sikring mod fald mærket med A, hvis de kan bruges alene, eller mærket med A/2 hvis de skal bruges sammen med et andet punkt A/2. Den er i overensstemmelse med standarden EN 361.
- **Redningssele / redningsløkke:** Anordning til at fastholde kroppen i en bestemt position hos en person, der skal evakueres under en redningsaktion. De er i overensstemmelse med standarderne EN 1497 og EN 1498.
- **Manøvreringstrefod:** Trefod med 3 ben der kan indstilles i højden og som udgør et forankringspunkt. Den er i overensstemmelse med standarden EN 795 klasse B.
- **Frivillig evakuering:** Personen evakueres alene eller med assistance af en kompetent person fra et højtliggende sted til jorden.
- **Redningsevakuering:** Den nødstedte person evakueres af en redder.
- **Plade med flere forankringer:** Den tillader at tilkoble flere forbindelsesled ved et samme forankringspunkt. Den kan orienteres og tillader at fordele belastningen under redningsaktioner.
- **Dobbelt remskive på række:** Remskive udstyret med to skiver på række, som er velegnet til evakuering på stramt reb. Den er i overensstemmelse med standarden EN 12278.

2.2. Piktogrammer

 **FARE:** Er placeret i begyndelsen af et afsnit. Signalerer anvisninger beregnet til at undgå kvæstelser på personer, herunder livsfarlige, alvorlige eller lettere kvæstelser samt skader på miljøet.

 **VIGTIGT:** Er placeret i begyndelsen af et afsnit. Signalerer anvisninger beregnet til at undgå svigt eller beskadigelser af udstyret, men som ikke er direkte livsfarlige eller sundhedsfarlige for operatøren eller andre personer og/eller ikke risikerer at forårsage skader på miljøet.

 **BEMÆRK:** Er placeret i begyndelsen af et afsnit. Signalerer anvisninger beregnet til at gøre en

installation, en anvendelse eller et indgreb mere effektivt eller praktisk.



Signalerer at brugsanvisningen skal læses.



SKAL NOTERES PÅ KONTROLBLADET:

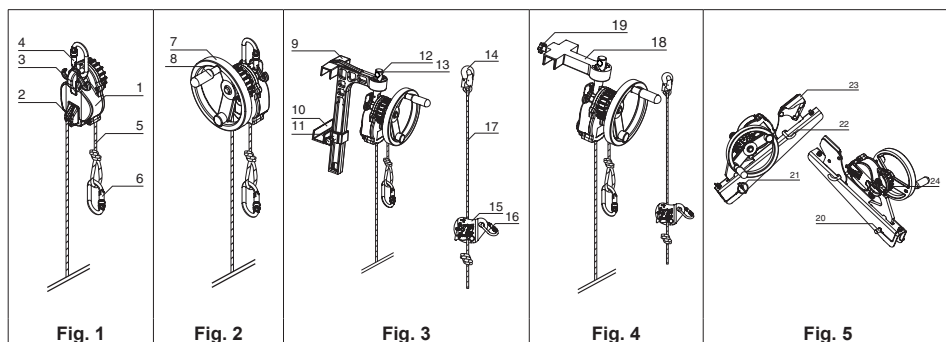
Skriv informationerne på det aftagelige kontrolblad midt i denne brugsanvisning.

3. Præsentation af apparatet

3.1. Udgaver af apparaterne

Handelsnavn	derope™ STD Fig. 1	derope™ UP A Fig. 2	derope™ UP B Fig. 3	derope™ UP K Fig. 4	derope™ UP R Fig. 5
Beskrivelse	Standard derope™ redningsapparat.	derope™ redningsapparat med ophejsningsfunktion.	derope™ redningsapparat med ophejsningsfunktion og udstyret med en stor konsol.	derope™ redningsapparat med ophejsningsfunktion og udstyret med en lille konsol.	derope™ redningsapparat med ophejsningsfunktion og leveret med en konsol til en manøvreringstrefod.
Funktionel beskrivelse	Redningsapparat til personer med kontrolleret hastighed og pendulbevægelse.	derope™ STD redningsapparat udstyret med en redningsfunktion ved ophejsning, som aktiveres ved hjælp af et manøvreringsrat.	derope™ UP A redningsapparat udstyret med en fastgørelseskonsol til stige med blokering.	derope™ UP A redningsapparat udstyret med en støttekonsol til stige.	derope™ UP A redningsapparat udstyret med en fastgørelseskonsol til trappode manøvreringstrefode n fra Tractel®.
Leverings sammensætning	<ul style="list-style-type: none"> - Redningsapparat. - Fald - 3 forbindelsesled. - Brugsanvisning + overensstemmelseserklæring. 			<ul style="list-style-type: none"> - Redningsapparat - Fald - 2 forbindelsesled - Sikringsline udstyret med 2 forbindelsesled og anordningen til indstilling af længde LCM 05 - Fastgørelseskonsol eller støttekonsol. - Brugsanvisning + overensstemmelseserklæring 	

3.2. Tegninger af apparaterne



- 1: hus
- 2: bremseknast
- 3: faldstyr på apparat
- 4: øvre forbindelsesled
- 5: fald
- 6: forbindelsesled for enden af fald
- 7: manøvreringsrat
- 8: håndtag der kan skubbes ned
- 9: fastgørelseskontrol til stige med blokering
- 10: blokeringklods
- 11: blokeringsakse
- 12: tilkoblingsakse
- 13: indeksstift
- 14: forbindelsesled til sikringsline
- 15: indstillingsanordning LCM 05
- 16: forbindelsesled til indstillingsanordning LCM 05
- 17: sikringsline
- 18: lille støtteskonsol
- 19: blokeringsakse
- 20: fortøjningsbolt
- 21: stift med låsering
- 22: faldstyr på konsol

- 23: faldbremse
- 24: blokeringsskrue

Overensstemmelse med forskrifter

- EN 341 klasse A: redningsapparat med høj nedfiringkapacitet.
- EN 1496 klasse A: redningssystem med ophejsning.
- Artikel 11 B i direktivet 89/686/EØF under kontrol af et godkendt prøvningsinstitut: APAVE SUDEUROPE, CS60193, F-13322 Marseille, Cedex 16, France, identificeret med nummer 0082.
- Udstyret er identisk med det P.P.E. der har været genstand for en EF typeundersøgelse udstedt af APAVE SUDEUROPE, CS60193, F-13322 Marseille, Cedex 16, France, identificeret med nummer 0082, og testet i henhold til standarderne EN 341 klasse A fra 1993, EN 1496 klasse A fra 2006.

4. Funktion og beskrivelse

4.1. Funktioner

4.1.1. Nedfiringfunktion

Denne funktion gør det muligt at nedfire 1 eller 2 personer med en hastighed indbefattet mellem 0.5 og 2 m/sek. i kraft af et centrifugalbremseystem, der fungerer i begge retninger. Apparatet kan bruges i pendulfunktion. Nedfiringfunktionen findes på alle derope™ modellerne i Tractel® udvalget.

4.1.2. Ophejsningsfunktion

Denne funktion giver mulighed for at føre den nødstedte person opad.

- Denne handling kan udføres ved hjælp af manøvreringsrattet udstyret med et aftageligt håndtag og håndteret af redderen. Stigningshastigheden er på omkring 1 m/min.
- Den kan udføres ved hjælp af et bærbart værktøj af typen boremaskine / skruetrækker, der monteres for enden af tandhjulet midt i manøvreringsrattet, som er udstyret med en 6-kant. Stigningshastigheden er på omkring 5 m/min.

Denne funktion findes på apparaterne derope™ UP A / UP B / UP K / UP R.

4.1.3. Funktion med formindskelse af hastighed eller standsning af nedfiring

Ved at føre faldets frie streng gennem faldstyret kan redderen sagtne farten og endog standse nedfiringen manuelt. For at holde apparatet i standset position skal den frie streng føres ind ved bremseknaften på apparatet. Denne funktion findes på alle derope™ modellerne i Tractel® udvalget.

4.1.4. Fortøjningsfunktion

4.1.4.1. derope™ STD og UP A apparat

Disse 2 apparater fastgøres ved hjælp af et forbindelsesled øverst på apparatet til et

forankringspunkt i overensstemmelse med kravene i standarden EN 795 eller enhver anden struktur med en modstandsstyrke på over 10 kN (1 ton).

4.1.4.2. derope™ UP B apparat

Dette apparat er udstyret med en fastgørelseskonsol til stiger. Denne konsol kan fastlåses på 2 efterfølgende trin på en stige og det er strengt nødvendigt at sikre den med sikringslinen i overensstemmelse med anbefalingerne i § 6.

4.1.4.3. derope™ UP K apparat

Dette apparat er udstyret med en støttekonsol til en tremme eller en stige. Denne konsol skal fastlåses og det er strengt nødvendigt at sikre den med sikringslinen i overensstemmelse med anbefalingerne i § 6.

4.1.4.4. derope™ UP R apparat

Dette apparat er udstyret med en fastgørelseskonsol, der udelukkende er beregnet til at sættes fast på trapode manøvreringstrefoden fra Tractel®. Denne konsol skal fastlåses på et af trefodens ben ved hjælp af fortøjningsbolten.

4.2. Tilbehørsdele

Den specielle taske til derope™ apparatet med spole er beregnet til derope™ STD apparatet eller derope™ UP A apparatet med op til 80 meter fald. Denne taske giver mulighed for en let transport og håndtering af udstyret under redningsaktioner. derope™ apparaterne kan udstyres med et spoleapparat som ekstraudstyr, som er beregnet til at undgå risiko for sammenfiltrering af linen under brug.

4.3. Tekniske specifikationer og brug af produktet med de anvendte materialer

Handelsnavn	derope™ STD	derope™ UP A	derope™ UP B	derope™ UP K	derope™ UP R
Vægt (kg)	1.9	3.0	6.1	4,6	6.5
Vejledende dimensioner (mm) (h x l x d)	170 x 120 x 105	225 x 200 x 165	430 x 200 x 315	265 x 200 x 325	485 x 265 x 165
Højseværk til ophejsning	Ikke relevant	Ja			
Max. last under ophejsning	Ikke relevant	120 kg			
Kraft ved rattets håndtag	Ikke relevant	5 kg			
Standarder	EN 341 klasse A	EN 341 klasse A + EN 1496 klasse A			
Nedfiringshastighed	Indbefattet mellem 0,5 m/s og 2 m/s				
Fald	Tractel® fald med diameter på 10,5 mm				

4.4. Fald

! **FARE:** Kun det Tractel® fald, der leveres sammen med apparatet, er godkendt til brug i et derope™ apparat fra Tractel®. Dette fald kan leveres i længder fra 10 m til 400 m i henhold til den kommercielle aftale med Tractel®.

5. Tilknyttede produkter

5.1. Anordning til fastholdelse af kroppen

- Faldsikringssele i overensstemmelse med standarden EN 361. Den person, der skal reddes, skal forbindes ved faldsikringens tilkoblingspunkter. Et tilkoblingspunkt til sikring mod fald mærket med A, hvis det kan bruges alene, eller mærket med A/2 hvis det skal bruges sammen med et andet punkt A/2.
- Redningssele eller redningsløkke i overensstemmelse med standarderne EN 1497 eller EN 1498. Den person, der skal reddes, skal forbindes ved tilkoblingspunktet til sikring mod fald identificeret med en etiket placeret i nærheden af tilkoblingspunktet.

5.2. Forankringsanordning

- Forankringsanordningerne skal leve op til kravene i standarden EN 795. De skal modstå en minimal belastning på 10 kN (1 ton).
- derope™ UP R apparatet er specielt designet og godkendt til at blive fastgjort på et ben på trapcode manøvreringstrefoden fra Tractel®.

! **FARE:** En lignende brug med en trefod af en anden oprindelse er forbudt.

5.3. Dobbelt remskive på række

- Remskive udstyret med to skiver på række, som er velegnet til evakuering på stramt reb.

5.4. Plade med flere forankringer

- Denne plade med flere forankringer tillader at tilkoble flere forbindelsesled ved et samme forankringspunkt.

Den kan orienteres og tillader at fordele belastningen under redningsaktioner.

5.5. Boremaskine / skruetrækker

- En boremaskine / skruetrækker med minimal effekt på 300 W kan bruges på derope™ UP som en hjælp for operatøren, når han har brug for at føre en person opad.
- Hvis der bruges en trådløs boremaskine / skruetrækker, skal dette værktøj have et batteri på mindst 14 V for at være i besiddelse af den nødvendige effekt til at gennemføre denne handling.

6. Installation

6.1. Foranstaltninger før installation

1. Installationen af derope™ apparatet skal udføres af en uddannet og kompetent person.
2. Installationen og brugen af derope™ apparater skal udføres i overensstemmelse med gældende lovgivning og bestemmelser i brugslandet.

6.2. Kontroller før installation

! **FARE:** De beskrevne kontroller nedenfor skal udføres, så snart der findes en mulighed for at benytte derope™ apparatet for at undgå, at disse kontroller ikke gennemføres, fordi man befinder sig i en nødsituation.

1. Visuel kontrol af den understøttende struktur:
 - Forankringspunkt til derope™ STD og UP A apparater: i overensstemmelse med standarden EN 795 eller med en minimal modstandsstyrke på 10 kN (1 ton).
 - Stige til derope™ UP B og UP K apparater:
 - Ikke deformerede vanger, korrekt fastgjort på muren: minimal modstandsstyrke på 10 kN (1 ton).
 - De trin, hvor konsollen skal fastgøres, må ikke være deformerede.
 - trapcode manøvreringstrefod fra Tractel® til derope™ UP R apparater.

- Ikke deformerede og ikke sammenklappede teleskopben.
 - Tilstedeværelse af gummisål under benene.
 - Tilstedeværelse af en vendeskive på trapode trefodens hoved.
 - Ingen for af deformation eller korrosion på trapode trefodens hoved.
 - Tilstedeværelse af bolten der forhindrer, at faldet springer af vendeskiven.
2. Visuel undersøgelse af faldet over hele længden samt af enderne for at sikre sig, at faldets kappe er intakt og at diameteren er konstant.
 3. Kontrol af apparatets virkemåde med en manuel bevægelse af faldet i apparatet over en længde på mindst 1 m i begge retninger for at sikre sig, at modstanden under bevægelse forøges samtidig med bevægelseshastigheden.
 4. Kontrol af husenes tilstand: ingen signifikante beskadigelser, tilstedeværelse af en læselig mærkning.
 5. Kontrol af forbindelsesled: ingen deformation eller korrosion, funktionel lukning og låsning.
 6. Kontrol af konsoller til derope™ UP B / UP K / UP R apparater: ingen deformation eller korrosion, funktionel låsning.
 7. Kontrol af sikringslinier til derope™ UP B og UP K apparater: kontrol af fald, forbindelsesled, anordning til justering af længde.
 8. Kontrol af alle tilknyttede produkter i henhold til anbefalingerne deres respektive brugsanvisninger.
 9. Man skal sikre sig, at derope™ apparatet har gennemgået en periodisk kontrol i løbet af de sidste 12 måneder.
 10. Man skal sikre sig, at derope™ apparatet har potentialet til at foretage det antal efterfølgende eller ikke efterfølgende nedfiringer, fra den højde eller med den belastning der skal til for at gennemføre aktionen: se skema 2 i § 7-1.

! **FARE:** Hvis der konstateres uregelmæssigheder under disse kontroller, skal apparatet deponeres for at undgå enhver brug og dernæst skal det repareres af en uddannet og kompetent person (se § 10-1).

6.3. Installation af derope™ apparatet

6.3.1. derope™ STD apparat og derope™ UP A apparat

1. Identificer eller indret det forankringspunkt, der skal modtage derope™ apparatet.

2. Kontrollér at forankringspunktet er i overensstemmelse med EN 795 eller at det har en modstandsstyrke på over 10 kN (1 ton).
3. Fastgør derope™ apparatet ved hjælp af det øverste forbindelsesled til det forudsete forankringspunkt til at foretage redningsaktionen over den person, der skal evakueres.
4. Fastlås forbindelsesledet.
5. Kast faldet ned og sørg samtidigt for at det ikke er filtreret sammen, at det ikke slår knuder, at det ikke skraber mod en skarp kant og at det når ned til jorden.
6. Kontrollér at der ikke findes forhindringer på evakueringsbanen og i modtagelseszonen. F.eks.: elektriske ledninger, betonjern, glasflader.

6.3.2. derope™ UP B apparat (Fig. 6)

1. Installer den store konsol, der kan fastlåses på stigen trin, i den valgte position for at foretage redningsaktionen over den person, der skal evakueres (Fig. 6, 1).
2. Før blokeringsklodsen op til det trin, der er lige under trinnet, hvor den store konsol er sat fast (Fig. 6, 2).
3. Fastspænd klodsens blokeringsakse ved hjælp af fastspændingshåndtaget på siden af konsollen (Fig. 6, 3).
4. Installer sikringslinen:
 - Fastgør forbindelsesledet til justeringsanordningen LCM 05 i hullet øverst på tilkoblingsaksen (Fig. 6, 4.1).
 - Før sikringslinen omkring det trin på stigen, som ligger umiddelbart ovenover konsollen, ved at føre den omkring en af stigenes vanger (Fig. 6, 4.2).
 - Kobl sikringslinens forbindelsesled sammen med forbindelsesledet på indstillingsanordningen LCM 05 (Fig. 6, 4.3).
 - Stram sikringslinen ved at trække på den frie streng (Fig. 6, 4.4).
5. Kast faldet ned og sørg samtidigt for at det ikke er filtreret sammen, at det ikke slår knuder, at det ikke skraber mod en skarp kant og at det når ned til jorden.
6. Kontrollér at der ikke findes forhindringer på evakueringsbanen og i modtagelseszonen. F.eks.: elektriske ledninger, betonjern, glasflader.
7. Vend derope™ apparat efter behov ved at ændre tilkoblingsaksens position i indekseringsanordningen (Fig. 6, 7.1 – 7.2).

DK

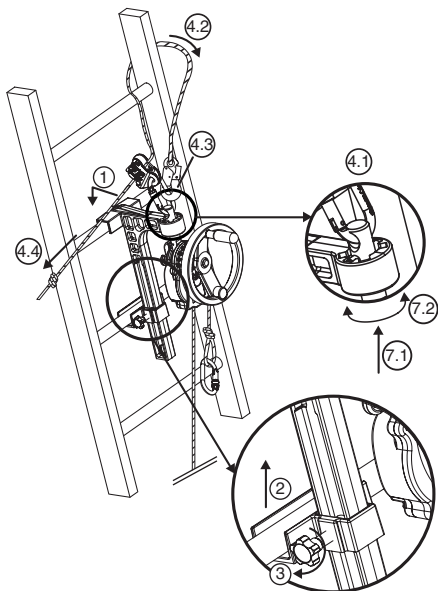


Fig. 6

- Kontrollér at der ikke findes forhindringer på evakueringsbanen og i modtagelseszonen. F.eks.: elektriske ledninger, betonjern, glasflader.
- Vend derope™ apparat efter behov ved at ændre tilkoblingsaksens position i indekseringsanordningen (Fig. 7, 6.1 – 6.2).

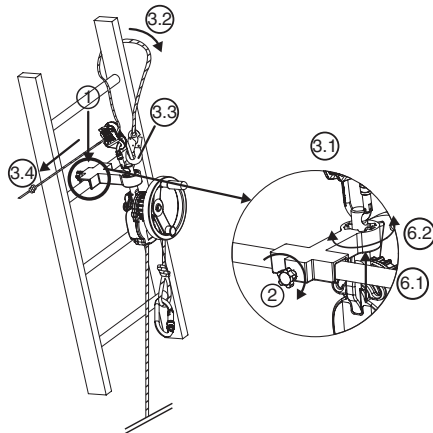


Fig. 7

6.3.3. derope™ UP K apparat (Fig. 7)

- Installer den lille støttekonsol på stignens trin i den valgte position for at foretage redningsaksjonen over den person, der skal evakueres (Fig. 7, 1).
- Fastspænd blokeringsaksen, der sidder bag på støttekonsollen, ved hjælp af fastspændingsbolten (Fig. 7, 2).
- Installer sikringslinen:
 - Fastgør forbindelsesledet til indstillingsanordningen LCM 05 i hullet øverst på tilkoblingsaksen (Fig. 7, 3.1).
 - Før sikringslinen omkring det trin på stigen, som ligger umiddelbart ovenover konsollen, ved at føre den omkring en af stignens vanger (Fig. 7, 3.2).
 - Kobl sikringslinens forbindelsesled sammen med forbindelsesledet på indstillingsanordningen LCM 05 (Fig. 7, 3.3).
 - Stram sikringslinen ved at trække på den fri streng (Fig. 7, 3.4).

⚠ FARE: Der findes en risiko for fald og livsfarlig ulykke, hvis sikringslinen ikke er installeret korrekt.

- Kast faldet ned og sørg samtidig for at det ikke er filtret sammen, at det ikke slår knuder, at det ikke skraber mod en skarp kant og at det når ned til jorden.

6.3.4. derope™ UP R apparat (Fig. 8, 9 og 10)

derope™ UP R apparatet skal fastgøres på benet på tracode trefoden fra Tractel® som vist på Fig. 8. Enhver anden fastgørelse til et andet punkt på tracode trefoden fra Tractel® er forbudt.

For at kunne bruge derope™ UP R apparatet på et af de 3 ben på tracode trefoden skal denne trefod være udstyret med en vendeskive foroven eller med 2 remskiver, hvis et andet apparat er sat på den samme tracode trefod (faldsikring med automatisk blocfor™ retur eller caRoI™ hejseværk).

Hvis derope™ UP R apparatet ikke er installeret på konsollen til tracode fra Tractel®, skal apparatet installeres således:

- Løsn blokeringsskruen til tilkoblingskroge på konsollen til derope™ UP R apparatet (Fig. 8,1).
- Installer derope™ UP R apparatet på tilkoblingskroge (Fig. 8, 2.1 – 2.2).
- Skru blokeringsskruen fast for at forhindre apparatet i at blive adskilt fra konsollen (Fig. 8, 3) og kontrollér, at den sidder korrekt og er spændt godt fast.

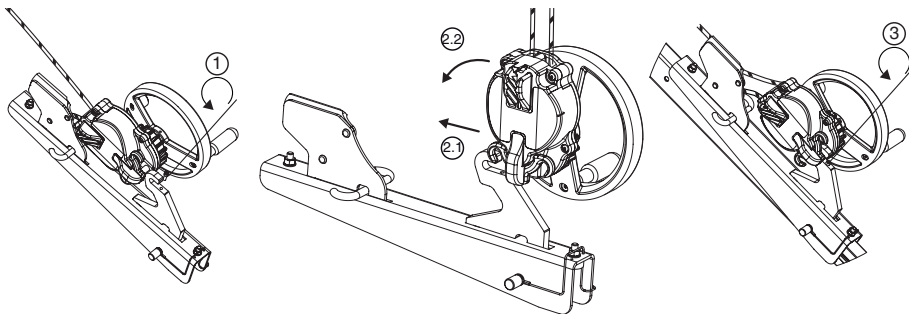


Fig. 8

Når derope™ UP R apparatet er installeret på konsollen til tracpode fra Tractel®.

1. Anbring tracpode trefoden fra Tractel® ikke udfoldet på jorden.
2. Indstil benene på tracpode trefoden fra Tractel® for at opnå den ønskede højde: se instruktionsmanualen til tracpode trefoden.
3. Vælg det ben på tracpode trefoden fra Tractel® som har en vendeskive foroven; tag låsebolten af dette ben.
4. Placer konsollens tilkoblingshul ud for tilkoblingshullet på benet på tracpode trefoden fra Tractel®.

VIGTIGT: Vær opmærksom på monteringsretningen: faldets blokeringsanordningen skal være vendt opad på tracpode trefoden (Fig.9).

5. Installer forløjningsboltene på konsollen til derope™ UP R apparatet. Denne forløjningsbolt har to funktioner: fastlåsning af benet på tracpode trefoden og forløjning af konsollen til derope™ UP R apparatet på dette ben (Fig.9, 5).
6. Fastlås forløjningsboltene med stiften med låsering (Fig.9, 6).
7. Fold de 3 ben på tracpode trefoden helt ud.
8. Fjern kuglebollen, der sidder over vendeskiven øverst på tracpode trefoden (Fig.10, 8).
9. Før derope™ apparatets fald omkring vendeskiven (Fig.10, 9).
10. Sæt kuglebollen i igen for at forhindre faldet i at springe af vendeskiven (Fig. 10, 10).
11. Åbn konsollens faldbremse (Fig.9, 11).
12. Før faldet, der kommer ud af derope™ apparatet ind i konsollens faldbremse (Fig.9, 12).

13. Kast faldet ned og sørg samtidigt for at det ikke er filtret sammen, at det ikke slår knuder, at det ikke skraber mod en skarp kant og at det når ned til jorden.

14. Luk faldbremsen (Fig.9, 14).

15. Kontrollér at der ikke findes forhindringer på evakueringsbanen og i modtagelseszonen. F.eks.: elektriske ledninger, betonjern, glasflader.

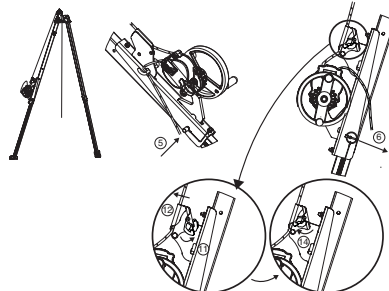


Fig. 9

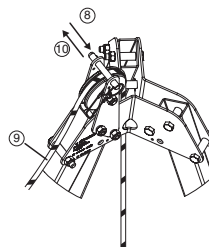


Fig. 10

6.3.5. derope™ UP med boremaskine / skruetrækker



FARE:

- Før boremaskinen / skruetrækkeren sættes på for enden af akslen på derope™ UP R apparatets rat, skal man sikre sig at det sammenklappelige håndtag er slået ned.
- Sæt boremaskinens / skruetrækkerens dorn på 6-kanten for enden af manøvreringsrattets aksel.
- Bloker dornen på akslen med sine 6 kanter.

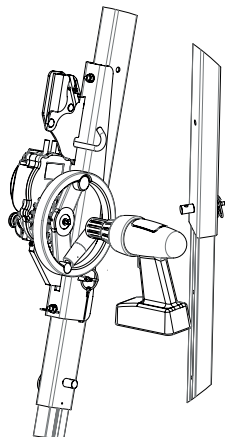


Fig. 11

Anvendelse	derope™ STD	derope™ UP A	derope™ UP B	derope™ UP K	derope™ UP R
Frivillig lodret evakuering	Ja	Ja	Ja (*)	Ja (*)	Nej
Frivillig evakuering fra skråplan	Ja	Ja	Nej	Nej	Nej
Redningsevakuering	(***)	Ja	Ja (*)	Ja (*)	Ja (**)

*: udelukkende anvendelse på stige

** : anvendelse på tracode trefod fra Tractel® over en åbning til et tomrum som f.eks. en brønd, en silo, etc.

***: Nej hvis der anvendes et derope™ apparat alene, ja hvis der anvendes et derope™ apparat sammen med et hejseapparat til personer, som tillader at føre den person, der skal evakueres, op for at slappe faldsikringsystemet.

! **FARE:** Ved nedfiring er anvendelsen af derope™ apparatet begrænset, hvad angår last, nedfiringshøjde og antal gentagne nedfiringer.

I tilfælde af en enkelt nedfiring:

- er den maksimale last på 225 kg for en maksimal nedfiringshøjde på 200 m.

7. Anvendelse

7.1. Anbefalinger og begrænsninger for anvendelse af derope™ apparatet



FARE: derope™ apparaterne kan bruges under arbejde i højde. I denne henseende påminder vi indtrængende om, at arbejde i højde er underlagt følgende bestemmelser.

- Personer, som arbejder i højde, skal være i fuld besiddelse af alle deres fysiske og mentale evner.
- Personer, som arbejder i højde, skal være specielt uddannede med henblik herpå.
- Arbejde i højde er forbudt for gravide kvinder.
- Før arbejdet i højde påbegyndes, skal der udarbejdes en redningsplan.

I tilfælde af en frivillig evakuering må derope™ apparaterne udelukkende bruges af uddannede og kompetente personer eller, hvis det ikke er muligt, under opsyn af en bemyndiget person.

I tilfælde af en redningsevakuering må redningsaktionerne udelukkende udføres af personer med uddannelse og bemyndigelse hertil.

Den anbefalede anvendelse af de forskellige derope™ apparater er vist i skemaet nedenfor.

- er den maksimale nedfiringshøjde på 400 m for en maksimal last på 150 kg.

I tilfælde af gentagne nedfiringer er anvendelsen af derope™ apparatet begrænset, hvad angår last, nedfiringshøjde og antal gentagne nedfiringer som vist i følgende skema.

		Maksimalt antal gentagne nedfiringer			
Nedfiringshøjde		< 50 m	< 125 m	< 200 m	< 400 m
Brugslast	Under 100 kg	60	24	15	7
	Over 100 kg og under 150 kg	20	8	5	2
	Over 150 kg og under 225 kg	6	2	1	Forbudt

! **FARE:** Efter hver brug, enten med en enkelt nedfiring eller med gentagne nedfiringer, skal derope™ apparatet undersøges af en kompetent person, der er uddannet til at foretage denne undersøgelse.

! **FARE:** Den samlede nedfiringshøjde skal overvåges. Hvis den samlede nedfiringshøjde overskrider de anførte grænser i skemaet i § 10-1, ligegyldigt hvilken tid det har taget at nå denne grænse, skal apparatet synes iht. § 10-1 og dette syn skal udføres af en kompetent person, der er uddannet til at foretage dette syn.

Apparatet kan bruges mellem -35°C og +50°C.

! **FARE:** Når apparatet bruges ved minus temperaturer (mellem -35°C og 0°C), skal det være tørt og det skal faldet også være.

! **FARE:** Den person, der bruger derope™ apparatet, skal veje mere end 30 kg.

! **FARE:** For at undgå enhver risiko for forbrændinger er det forbudt at røre ved derope™ apparatet, mens det fungerer og før det er kølet af.

7.2. Frivillig lodret evakuering

Denne type evakuering skal udføres med derope™ STD apparatet, derope™ UP A apparatet, derope™ UP B apparatet eller derope™ UP K apparatet, idet de to sidste modeller er beregnet til at blive brugt på en stige. Den person, der skal evakueres, skal være iført en faldsikringssele (EN 361), en redningssele (EN 1497) eller en redningsløkke (EN 1498 klasse A eller B). Under en frivillig lodret evakuering må personen ikke fjerne sig med mere end 20° i forhold til lodret for at undgå en for voldsom svingning.

1. Når derope™ apparatet er installeret i overensstemmelse med anvisningerne i § 6, skal man følge fremgangsmåden nedenfor.
2. Den person, der skal evakueres, skal tilkoble eller skal selv tilkoble sig for enden af evakueringsstrengen på derope™ apparatet ved:
 - tilkoblingspunkt på faldsikringssele EN 361: disse punkter er mærket med A, hvis de kan bruges alene, eller med A/2 hvis de skal bruges sammen med et andet tilkoblingspunkt mærket med A/2.
 - et tilkoblingspunkt på redningsselen EN 1497 eller redningsløkken EN 1498 klasse A eller B, som er identificeret med en etiket i nærheden af dette tilkoblingspunkt.
3. Træk på den frie streng for at stramme evakueringsstrengen.

4. Før faldets frie streng ind i faldstyret og dernæst ved bremseklossen.
5. Man skal om nødvendigt sørge for at manøvreringsrattet på derope™ UP apparatet, er skubbet ned.
6. Før den person, der skal evakueres, ud over det frie rum: han føres ikke ned, fordi faldet er blokeret af bremseknasten.
7. Start nedfiringen ved at frigøre faldets frie streng fra bremseknasten.
8. Frakobl personen, når han er kommet ned på jorden.
9. Da den frie strengs forbindelsesled er blevet ført op mod derope™ apparatet under evakueringen, skal man gentage fremgangsmåden fra trin 1 til 7, hvis en anden person skal evakueres.
10. Hvis der foretages flere efterfølgende nedfiringer, skal man overholde det maksimale antal nedfiringer anført i skemaet i § 7.1.

7.3. Frivillig evakuering på et skråplan

(Fig.12)

Denne type evakuering skal foretages med derope™ STD apparatet eller derope™ UP A apparatet.

Det sted, der skal evakueres, skal være udstyret med et stramt kabel eller tov, som danner en vinkel indbefattet mellem 30° og 60° med det lodrette plan. En dobbelt remskive på række med en plade med flere forankringer skal være placeret foroven på kablet.

Den person, der skal evakueres, skal være iført en faldsikringssele (EN 361), der af helst skal have et tilkoblingspunkt på brystet, da det er mere behageligt, eller en redningssele (EN 1497) eller en redningsløkke (EN 1498 klasse A eller B).

1. Når derope™ apparatet er installeret i overensstemmelse med anvisningerne i § 6, skal derope™ apparatets evakueringsstreng forbindes med pladen med flere forankringer, som er solidarisk med den dobbelte remskive på række.
2. Installer en line med 2 forbindelsesled mellem forankringspladen til den dobbelte remskive på række og:
 - et tilkoblingspunkt på faldsikringssele EN 361. Disse punkter er mærket med A, hvis de kan bruges alene, eller med A/2 hvis de skal bruges sammen med et andet tilkoblingspunkt mærket med A/2.
 - et tilkoblingspunkt på redningsselen EN 1497 eller redningsløkken EN 1498 klasse B, som er identificeret med en etiket i nærheden af dette tilkoblingspunkt.
3. Træk på den frie streng på derope™ apparatet for at stramme evakueringsstrengen.

4. Før faldets frie streng ind i faldstyret og dernæst ved bremseknaesten.
5. Man skal om nødvendigt sørge for at manøvreringsrattet på derope™ UP apparatet er skubbet ned.
6. Man skal glide sig langs med det stramme kabel eller tov.
7. Start nedfiringen ved at frigøre faldets frie streng fra bremseknaesten.
8. Frakobl personen og den dobbelte remskive på række, når han er kommet ned på jorden.
9. Da den frie strengs forbindelsesled er blevet ført op mod derope™ apparatet under evakueringen, skal man gentage fremgangsmåden fra trin 1 til 8, hvis en anden person skal evakueres.

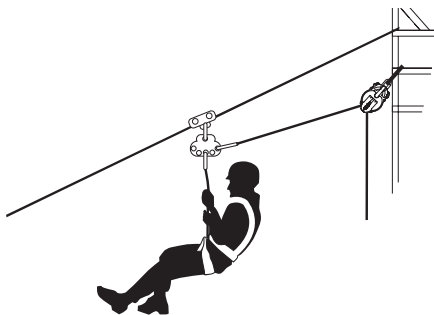


Fig. 12

7.4. Redningsevakuering af en person

BEMÆRK: Dette kapitel kan under ingen omstændigheder anses for at være en redningsmetode. Hensigten med dette kapitel er at beskrive en korrekt brug af derope™ apparatet med et eksempel.

En redningsaktion må udelukkende foretages af en bemyndiget person, der har modtaget en uddannelse i af foretage redningsaktioner. Før en redningsaktion gennemføres, skal redningskorpset underrettes herom. Under hele nedfiringen skal redderen have øjenkontakt med den person, der skal evakueres, så han kan handle, hvis det er nødvendigt.

Redningsaktionerne beskrevet i dette afsnit skal foretages med et derope™ UP apparat med ophejsningsfunktion og manøvreringsrat til evakuering af personer udstyret med faldsikringssele. Hvor det er muligt, skal redderen gribe ind ved den person, der skal evakueres. Hvis det ikke er muligt, skal redderen gribe ind ved forankringspunktet til faldsikringssele på den person, der skal evakueres.

I følgende eksempel er den person, der skal evakueres, udstyret med et faldsikringsystem og er netop faldet

ned. Redderen griber ind ved den person, der skal evakueres.

1. Når redderen har installeret derope™ apparatet i overensstemmelse med anvisningerne i § 6 og er kommet op til den person, der skal evakueres, skal han bruge forbindelsesledet for enden af derope™ apparatets evakueringsstreng til fastkoble personen ved:
 - et tilkoblingspunkt på faldsikringssele EN 361: disse punkter er mærket med A, hvis de kan bruges alene, eller med A/2 hvis de skal bruges sammen med et andet tilkoblingspunkt mærket med A/2.
 - et tilkoblingspunkt på redningssele EN 1497 eller redningsløkken EN 1498 klasse B, som er identificeret med en etiket i nærheden af dette tilkoblingspunkt.
2. Manøvreringsrattet bruges til at føre den nødstejede person op for at slappe fladsikringsssystemet.
3. Før faldets frie streng ind i faldstyret og dernæst ved bremseknaesten.
4. Skub derope™ UP apparatets manøvreringsrat ned.
5. Kobl den nødstejede persons faldsikringsssystem fra forankringspunktet.
6. Start nedfiringen ved at frigøre faldets frie streng fra bremseknaesten.

7.5. Opløftning af en person

Når derope™ UP R apparatet bruges på en plade på det trebenede stativ tracpode fra Tractel®, er det muligt at løfte en person op:

- enten ved at aktivere manøvreringsrattet manuelt
- eller ved at bruge en boremaskine / skruetrækker som hjælpemiddel.

⚠ FARE: Det er strengt nødvendigt at slå det sammenklappelige håndtag ned før brug af en boremaskine / skruetrækker til at aktivere derope™ UP R.

⚠ FARE: Det er strengt nødvendigt at tage fat om boremaskinen / skruetrækkeren med begge hænder, når en person løftes op.

⚠ FARE: Boremaskinen / skruetrækken må under ingen omstændigheder slippes, så længe den person, der skal undsættes, stadig er ophængt i derope™ UP R.

8. Forbudt fejlagtig brug

Det er strengt forbudt:

1. At installere eller bruge et derope™ apparat uden at være autoriseret til det, uden at være uddannet til det og anset for at være kompetent eller uden at være under en autoriseret, uddannet og kompetent persons ansvar.
2. At bruge et derope™ apparat, hvis en af apparatets mærkninger ikke er sat på eller ikke er læselig.
3. At installere eller bruge et derope™ apparat, der ikke har været genstand for de forudgående kontroller (se § 6-2).
4. At bruge et derope™ apparat, der ikke har været genstand for en periodisk kontrol i under 12 måneder af en tekniker, der har givet skriftlig tilladelse til at genbruge det (se §10-1).
5. At bruge et derope™ apparat til andre formål end til evakuering og redning af personer.
6. At bruge et andet fald end faldet fra Tractel S.A.S til derope™ apparatet.
7. At fastgøre derope™ apparatet til et forankringspunkt, der ikke lever op til kravene i standarden EN 795. Forankringspunktet skal have en minimal modstandsstyrke på 10 kN.
8. At fastgøre et derope™ apparat med enhver anden anordning end som forudset af Tractel S.A.S.
9. At installere et derope™ apparat således, at det ikke befinder sig over den person, der skal evakueres.
10. At bruge et derope™ apparat uden først at have kontrolleret det frie rum omkring den nødstedte person under hele nedfiringen eller ophejsningen.
11. At bruge derope™ UP B og UP K apparater uden at installere en sikringsline.
12. At bruge derope™ UP R apparatet på en anden trefod end trapcode trefoden fra Tractel S.A.S.
13. At bruge et derope™ apparat som er ældre end den forudsatte levetid af Tractel S.A.S.
14. At bruge et derope™ apparat over den maksimale tilladte belastning eller den maksimalt tilladte nedfiringshøjde.
15. At bruge et derope™ apparat til en person, der vejer under 30 kg.
16. At bruge et derope™ apparat til gentagne nedfiring, som overstiger det maksimalt tilladte antal nedfiring.
17. At bruge et derope™ apparat inden for rammerne af et faldsikringsystem ifølge standarden EN 363.
18. At bruge et derope™ apparat som et ophængningsmiddel til fastholdelse på arbejdsposten.
19. At bruge et derope™ apparat i en eksplosiv atmosfære.
20. At udsætte et derope™ apparat eller faldet for en varmekilde eller direkte lys.
21. At bruge et derope™ apparat eller faldet uden for et temperaturområde indbefattet mellem -35°C og +50°C.
22. At lade derope™ apparatet eller faldet komme i kontakt med aggressive kemiske stoffer samt skrabbende eller skærende overflader.
23. At bruge derope™ apparat, hvis faldets ende ikke når ned til jorden.
24. At forhindre et derope™ apparat i at rette sig ind på lige linje i forhold til faldet.
25. At forhindre manøvreringsrattet i at rotere frit på derope™ UP A, B, K eller R apparater.
26. At føre et vilkårligt element ind i åbningerne til faldet på et derope™ apparat.
27. At åbne et derope™ apparat, at smøre det med fedt eller at foretage en vilkårlig ændring af det.
28. At foretage reparationer af et derope™ apparat uden at være uddannet til det og anset for at være kompetent til det med en skriftlig erklæring fra Tractel S.A.S.
29. At røre ved et derope™ apparat uden at have sikret sig, at det er afkølet efter brug.
30. At bruge derope™ UP R på en plade på det trebenede stativ trapcode fra Tractel® med en boremaskine / skruetrækker, hvis det sammenklappelige håndtag på manøvreringsrattet ikke er slået ned.
31. At bruge derope™ UP R på en plade på det trebenede stativ trapcode fra Tractel® med en boremaskine / skruetrækker, hvis brugeren ikke har begge hænder på boremaskinen.
32. At slippe boremaskinen / skruetrækkeren, når den er sat på for enden af akslen på derope™ UP R og en person er hængt op i apparatet.

9. Transport og opbevaring

Udstyret, som beskrives i denne manual, skal opbevares og transporteres i sin oprindelige emballage. Under opbevaring og/eller transport skal dette udstyr:

1. Opbevares et tørt sted,
2. Opbevares ved en temperatur indbefattet mellem -35°C og +50°C,

3. Være beskyttet mod direkte varmekilder og UV-stråler.
4. Være beskyttet mod kemiske og mekaniske aggressioner samt enhver anden aggression.

10. Periodisk kontrol

En årlig kontrol er obligatorisk, men afhængig af brugsfrekvensen, de miljømæssige forhold og virksomhedens eller brugslanterns regler og bestemmelser, kan denne kontrol udføres oftere.

De periodiske kontroller skal udføres af en autoriseret og kompetent tekniker under overholdelse af fabrikantens fremgangsmåder vedrørende disse kontroller som anført i filen «Anvisninger vedrørende kontrol af PPE Tractel®». Læseligheden af produktets mærkning udgør en del af denne periodiske kontrol.

Efter den periodiske kontrol skal den autoriserede og kompetente tekniker, der har udført kontrollen, give skriftlig tilladelse til produktets genindsætning i drift. Produktets genindsætning i drift skal optegnes på kontrolarket, der sidder midt i nærværende vejledning. Dette kontrolark skal opbevares under hele produktets levetid, indtil det tages ud af drift.

Hvis dette produkt har standset et fald, skal det være genstand for en periodisk kontrol, som beskrevet i nærværende afsnit. Produktets eventuelle komponenter i tekstil skal udskiftes, selv om de ikke har synlige beskadigelser.

10.1. Syn af apparatet



FARE: Det er obligatorisk at få apparatet synet i følgende tilfælde:

1. Hvis der konstateres driftsforstyrrelser under en årlig eller en almindelig kontrol, eller så snart der konstateres en driftsforstyrrelse eller en dårlig stand af apparatet.
2. Når den samlede nedfiringshøjde har nået grænsen anført i skemaet nedenfor, ligegyldigt hvor lang tid det har taget at nå denne grænse.

Grænser for samlet nedfiringshøjde som kræver, at apparatet bliver synet og at faldet bliver udskiftet.

Last	Under 100 kg	3000 m
	Over 100 kg og under 150 kg	1000 m
	Over 150 kg og under 225 kg	300 m

Syningen af apparatet må udelukkende foretages af en uddannet person, der er kompetent til at udføre vedholdelsesindgreb, af Tractel® eller af en autoriseret reparatør.

Det er strengt nødvendigt at udskifte faldet, så snart apparatet har nået den samlede nedfiringshøjde anført i skemaet ovenfor.

11. Levetid

PPE i tekstil fra Tractel®, såsom faldsikringssele, liner, tove og absorber, mekanisk PPE udstyr fra Tractel® såsom stopcable™ og stopfor™ faldsikringer, blocfor™ faldsikringer med automatisk retur og livliner fra Tractel® kan bruges på betingelse af, at de fra deres fremstillingsdato har været genstand for:

- normal brug under overholdelse af anbefalingerne vedrørende brug i denne vejledning.
- periodisk kontrol, som skal udføres mindst 1 gang om året af en autoriseret og kompetent tekniker. Efter denne periodiske kontrol skal dette PPE skriftligt erklæres egnet til genindsætning i drift.
- streng overholdelse af opbevarings- og transportbetingelser, som er nævnt i denne vejledning.

12. Kassering

Når produktet skal bortskaffes, er det nødvendigt at sortere de forskellige elementer efter materialer i metal og syntetiske materialer.

Disse materialer skal afleveres på et specialiseret genbrugsanlæg. Når produktet kasseres, skal afmonteringen i forbindelse med adskillelse af de forskellige elementer udføres af en kompetent person.

13. Mærkning af produktet

13.1. Mærkning af derope™ redningsapparat

derope™ apparaternes etiketter er vist i figur 13a, 13b og 13c. De angiver:

- a: handelsnavnet: Tractel®.
- b: betegnelsen af produktet
- c: referencestandarden efterfulgt af iværksættelsesåret.
- d: produktets varenummer: ex 010042.
- e: CE logoet efterfulgt af nummeret på den godkendte prøvningsinstitut iht. artikel 11 B om produktionskontrol 0082.
- f: fabrikationsåret og –ugen.
- g: serienummeret.
- h: et piktogram som angiver, at brugsanvisningen skal læses før brug.
- i: visuel og funktionel kontrol før brug.
- j: Tractel® faldets diameter
- k: område for brugstemperatur.
- l: brugsgrænser for last og længder.
- m: gnid ikke faldet mod en skarp kant.
- n: brug til almindelig evakuering.
- o: brug til evakuering på skråplan.
- p: brug til almindelig evakuering og redningsaktion.

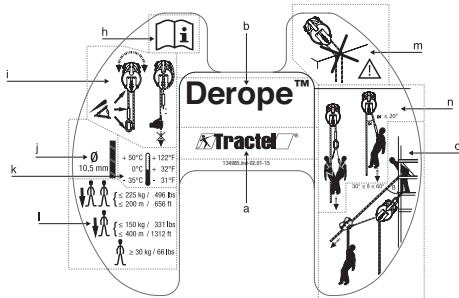


Fig. 13a

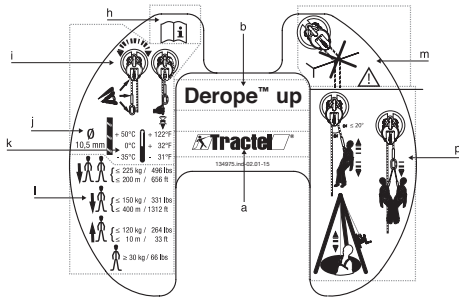


Fig. 13b

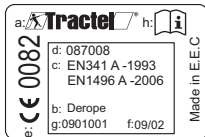


Fig. 13c

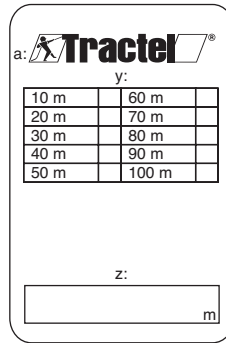


Fig. 14

13.2. Mærkning af fald

Etiketten på et fald til derope™ redningsapparat er vist i figur 14. Den angiver:

- a: handelsnavnet: Tractel®.
- y: faldets standard længde.
- z: speciel længde på fald.

Содержание

1. Основные инструкции	126
2. Определения и условные обозначения	128
3. Описание устройства	130
4. Функции и описание	131
5. Сопутствующие изделия	132
6. Установка	133
7. Эксплуатация	137
8. Ограничения по использованию оборудования	140
9. Транспортировка и хранение	141
10. Периодическая проверка и ремонт	142
11. Срок службы	142
12. Утилизация	142
13. Маркировка изделия	143

Вводный комментарий:

В целях непрерывного совершенствования своей продукции Tractel® сохраняет за собой право в любое время вносить любые изменения, которые данная компания сочтет целесообразными, в оборудование, описанное в настоящем руководстве. Компании группы Tractel® и ее уполномоченные дистрибьюторы предоставят вам по вашему запросу документацию, касающуюся другой продукции марки Tractel®: подъемных и тяговых устройств и аксессуаров к ним, устройств доступа для строительных и фасадных работ, приспособлений для крепления грузов, электронных индикаторов нагрузки и т. д.

Сеть сервисных центров Tractel® осуществляет послепродажное и плановое техническое обслуживание оборудования.

1. Основные инструкции

1. В целях безопасного монтажа и эксплуатации снаряжения и обеспечения его эффективности пользователю следует ознакомиться с настоящим руководством и выполнить все содержащиеся в нем указания, перед тем как приступить к использованию данного устройства.
2. Данное руководство следует предоставить пользователю устройства derope™ и впоследствии сохранить для спасателя.

Дополнительные экземпляры руководства могут быть поставлены Tractel S.A.S по запросу.

3. Эксплуатация, техническое обслуживание и управление устройством derope™ должно быть поручено лицам, знающим правила техники безопасности и нормы, применимые к данному виду оборудования и сопутствующему снаряжению, и обладающим полномочиями для обеспечения соблюдения соответствующих правил и норм. Все пользователи обязаны прочесть настоящее руководство и усвоить его содержание. Следует убедиться в том, что устройство derope™ совместимо с сопутствующими средствами индивидуальной защиты. Перед первичным вводом устройства derope™ в эксплуатацию его должен проверить компетентный техник, который обязан убедиться в соответствии устройства контрольным параметрам, рекомендованным авторами настоящего руководства.
4. При передаче устройства derope™ в пользование сотруднику предприятия или приравненному к нему лицу соблюдайте требования применимого трудового законодательства.
5. Любое лицо, которое собирается использовать устройство derope™, должно быть физически и профессионально пригодным для выполнения высотных работ и проведения спасательных операций. В случае сомнений следует обратиться к лечащему врачу или к врачу предприятия. Соответствующее лицо должно в безопасных условиях пройти предварительную теоретическую и практическую подготовку с использованием средств индивидуальной защиты в соответствии с требованиями безопасности. Такая подготовка должна быть основана на полном объеме информации из разделов настоящего руководства, посвященных эксплуатации снаряжения. Запрещается использовать это устройство при беременности.
6. Устройство derope™ должно использоваться исключительно в целях эвакуации или спасения людей в соответствии с инструкциями, содержащимися в настоящем руководстве. Использование устройства в каких-либо иных целях запрещается. В частности, устройство ни в коем случае не должно использоваться самостоятельно в качестве подвесного крепления или как компонент системы защиты от падения с высоты в смысле стандарта EN 363.
7. Каждый раз перед началом эксплуатации устройства необходимо убедиться в том, что нанесенная на него маркировка является четкой. При наличии вопросов следует связаться с Tractel S.A.S или ее дистрибьютором.

8. Устройство derope™ может использоваться лишь вместе со средствами индивидуальной защиты от падения с высоты либо с индивидуальными спасательными средствами и должно быть пристегнуто к ним. Привязной ремень безопасности (EN 361), спасательная привязь (EN 1497) и спасательный ремень (стандарта EN 1498 класс А или В) являются единственными приспособлениями для поддержки тела человека, пристегиваемыми к устройству derope™, которые разрешается использовать в спасательных целях в ходе спасательных операций.
9. Анкерное крепление, к которому крепится устройство derope™, должно соответствовать требованиям стандарта EN 795 либо по крайней мере обладать сопротивлением разрыву не менее 10 кН (1 тонна).
10. Каждый раз, перед тем как использовать устройство в условиях особого риска, в том числе, помимо прочего, в агрессивной среде; в условиях воздействия опасных химических веществ; во взрывоопасной среде, в условиях, в которых существует риск поражения электрическим током, радиационный риск и т. д., следует получить соответствующую консультацию в Tractel S.A.S.
11. Каждый раз, перед тем как использовать устройство derope™, спасатель должен осуществить его визуальную проверку, чтобы убедиться в том, что устройство, равно как и средства индивидуальной защиты, находится в надлежащем рабочем состоянии; что устройство и СИЗ являются совместимыми, правильно смонтированы и соединены в соответствии с рекомендациями, содержащимися в инструкциях к ним.
12. Перед эксплуатацией оборудования, о котором идет речь в настоящем руководстве, необходимо убедиться в отсутствии препятствий на путях эвакуации, а также исключить риск контакта с опасными предметами.
13. Каждый раз перед эксплуатацией настоящего устройства необходимо сверяться с планом спасения, составленным ответственным лицом места проведения работ.
14. Tractel S.A.S рекомендует снабдить каждого спасателя средством связи, чтобы в случае инцидента он мог связаться со станцией скорой медицинской помощи.
15. Каждый раз перед эксплуатацией системы защиты от падения необходимо убедиться в наличии свободного пространства под спасателем на его рабочем месте, чтобы в случае падения исключить риск столкновения с землей и удостовериться в отсутствии препятствий на пути падения. Запас высоты должен быть достаточным.
16. Оборудование, о котором идет речь в настоящем руководстве, может использоваться в температурном диапазоне от -35 °C до +50 °C. При отрицательной температуре (от -35 °C до 0 °C) необходимо убедиться в том, что оборудование, включая канат, является сухим.
17. В ходе эксплуатации оборудования, о котором идет речь в настоящем руководстве, необходимо соблюдать следующие параметры (в соответствии с § 7-1):
- максимальную рабочую нагрузку;
 - минимальную рабочую нагрузку (30 кг);
 - максимальную высоту спуска;
 - количество произведенных спусков;
 - совокупную высоту спусков.
18. В том случае, если совокупная высота спусков достигла установленного предела, следует в обязательном порядке осуществить осмотр оборудования (см. § 10-1).
19. Устройство derope™ UP R должно использоваться лишь в сочетании с треногой traspode марки Tractel®. Запрещается использовать устройство с треногой любого другого производителя.
20. Каждый раз после эксплуатации устройства derope™ необходимо в обязательном порядке осмотреть данное устройство и сопутствующие средства индивидуальной защиты. Подобный осмотр проводится в соответствии с инструкциями, содержащимися в настоящем руководстве, техническим специалистом, обладающим соответствующей квалификацией, который обязан выдать письменное разрешение на повторную эксплуатацию оборудования. В том случае, если в результате визуальной проверки были выявлены дефекты оборудования, а также в случае сомнений относительно состояния устройства derope™ либо одного из сопутствующих средств индивидуальной защиты, следует повесить на оборудование предупредительную табличку, чтобы предотвратить его эксплуатацию до ремонта, по окончании которого компетентный технический специалист, прошедший специальную подготовку, должен выдать письменное разрешение на повторный ввод оборудования в эксплуатацию. В случае наличия повреждений на устройстве derope™, а также при возникновении сомнений в его пригодности к эксплуатации следует вернуть устройство Tractel S.A.S или дистрибьютору компании.

21. Периодическая проверка устройства degore™ и сопутствующих средств индивидуальной защиты должна проводиться не реже одного раза в 12 месяцев под руководством компетентного технического специалиста, прошедшего специальную подготовку, который должен выдать письменное разрешение на повторный ввод оборудования в эксплуатацию. Подобную подготовку может организовать Tractel S.A.S. Проверка должна проводиться в соответствии с Директивой 89/656/СЕЕ, положениями настоящего руководства и руководства по техническому обслуживанию.

22. Tractel S.A.S снимает с себя всякую ответственность за последствия демонтажа устройства degore™, а также за любые изменения, внесенные в устройство без ведома компании, в особенности в случае замены каната лицом, не имеющим соответствующего разрешения.

23. В целях гарантирования полной безопасности эвакуации или спасения людей с помощью устройства degore™, в том случае, если данное устройство было перепродано за пределами страны назначения, дистрибьютор должен предоставить настоящее руководство по эксплуатации на языке страны, в которой используется устройство degore™.

2. Определения и условные обозначения


2.1. Определения


- Спусковое устройство – это спасательное устройство, посредством которого пользователь может спускаться с высоты на землю с контролируемой скоростью как самостоятельно, так и с помощью спасателя. Соответствует стандарту EN 341.
- Пользователь – это лицо или служба, ответственные за управление и безопасность эксплуатации изделия, описанного в руководстве. (Пользователя не следует путать с оператором, несмотря на то что обе эти роли может выполнять одно лицо). Функции пользователя отличаются от функций клиента и оператора.
- Технический специалист – это квалифицированный специалист, который несет ответственность за операции по техническому обслуживанию, предусмотренные руководством, и который обладает необходимыми знаниями и хорошо знаком с изделием.
- Карабин – это устройство, соединяющее компоненты системы защиты от падения. Соответствует стандарту EN 362.


- Канат – многопрядный канат с защитной оболочкой.
- Анкерное крепление – это устройство для крепления системы защиты от падения, обладающее минимальным сопротивлением 10 кН (1 тонна). Соответствует стандарту EN 795.
- Страховочный строп – это элемент, соединяющий узел крепления и систему защиты.
- Кулачковый стопор – это система блокировки стропа.
- Направляющая верёвки – это устройство направления движения каната.
- Кронштейн – это приспособление для крепления спускового устройства к приставной лестнице либо к треноге.
- Спасательная точка крепления – специальная точка крепления на страховочной привязи и спасательном стропе для крепления спасательной или эвакуационной системы.
- Ручной штурвал – это штурвал, которым оборудовано устройство degore™ типа UP и при вращении которого удается поднять человека на высоту нескольких метров.
- Страховочная привязь – это приспособление для поддержки тела человека, предназначенное для защиты от падения. Состоит из ремней и пряжек. Оснащена узлами крепления системы защиты от падения; узлы крепления, обозначенные «А», могут использоваться самостоятельно, узлы крепления, обозначенные «А/2», должны использоваться в сочетании с другим узлом крепления «А/2». Соответствует стандарту EN 361.
- Спасательная привязь / спасательный строп – это приспособления для поддержки тела человека, предназначенные для удержания эвакуируемого человека в определенном положении в течение спасательной операции. Соответствуют стандартам EN 1497 и EN 1498.
- Тренога – это тренога, все три опоры которой регулируются по высоте и которая представляет собой временную анкерную точку. Соответствует стандарту EN 795 класс В.
- Самостоятельная эвакуация – это эвакуация человека или эвакуация человека при участии компетентного лица из места, расположенного на высоте, на землю.
- Аварийная эвакуация – это эвакуация человека в аварийной ситуации при участии спасателя.
- Многофункциональная анкерная пластина. Позволяет присоединять несколько карабинов к одному и тому же анкерному креплению. Позволяет направлять и распределять нагрузку во время манипуляций в рамках спасательной операции.
- Двухшквивный блок с последовательными шквивами – это блок с двумя последовательно расположенными шквивами, предназначенный для

эвакуации человека с помощью натянутого троса.
Соответствует стандарту EN 12278.

2.2. Условные обозначения

 **ОПАСНО:** данное условное обозначение ставится в начале строки и обозначает указания, направленные на предупреждение травматизма, в частности смертельных травм, тяжелых и легких телесных повреждений, и нанесения ущерба окружающей среде.

 **ВАЖНО:** данное условное обозначение ставится в начале строки и обозначает указания, направленные на предупреждение неисправностей оборудования или его повреждений, не представляющих непосредственной угрозы для жизни или здоровья оператора или других лиц и (или) неспособных нанести вред окружающей среде.

 **ПРИМЕЧАНИЕ:** данное условное обозначение ставится в начале строки и обозначает указания, направленные на обеспечение эффективности или удобства монтажа или эксплуатации оборудования либо операции по его техническому обслуживанию.

 Необходимо обратиться к руководству по эксплуатации.

 **НЕОБХОДИМО СДЕЛАТЬ ЗАПИСЬ В КОНТРОЛЬНОМ ЛИСТКЕ:**

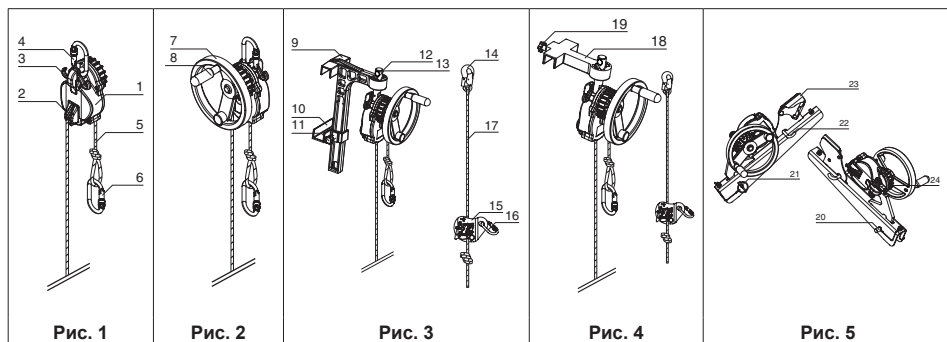
Необходимо внести данные в отрывной контрольный листок, который находится в середине настоящего руководства.

3. Описание устройства

3.1. Версии устройств

Торговое обозначение	derope™ STD Рис. 1	derope™ UP A Рис. 2	derope™ UP B Рис. 3	derope™ UP K Рис. 4	derope™ UP R Рис. 5
Описание	Стандартное спусковое устройство derope™.	Спусковое устройство derope™ с подъемной системой.	Спусковое устройство derope™ с подъемной системой, укомплектованное большим кронштейном.	Спусковое устройство derope™ с подъемной системой, укомплектованное маленьким кронштейном.	Спусковое устройство derope™ с подъемной системой, поставляющееся с кронштейном для треноги.
Функциональное описание	Персональное спусковое устройство для вертикального спуска с контролируемой скоростью.	Спусковое устройство derope™ STD с функцией подъема с помощью ручного штурвала.	Спусковое устройство derope™ UP A, укомплектованное кронштейном для крепления к лестнице с системой блокировки.	Спусковое устройство derope™ UP A, укомплектованное опорным кронштейном для лестницы.	Спусковое устройство derope™ UP A, укомплектованное кронштейном для крепления к треноге tracsode марки Tractel®.
Комплект поставки	<ul style="list-style-type: none"> - Спусковое устройство. - Строп. - 3 соединителя. - Руководство по эксплуатации + сертификат соответствия. 			<ul style="list-style-type: none"> - Спусковое устройство. - Строп. - 2 карабина. - Страховочный строп, укомплектованный 2 карабинами и приспособлением для регулировки длины LCM 05. - Крепежный или опорный кронштейн. - Руководство по эксплуатации + сертификат соответствия. 	

3.2. Схемы устройств



- 1: кожухи
- 2: кулачковый стопор
- 3: направляющий механизм для стропа
- 4: верхний карабин
- 5: канат
- 6: концевой карабин каната
- 7: ручной штурвал
- 8: складная рукоятка
- 9: кронштейн для крепления к лестнице с системой блокировки
- 10: блокирующий зажим
- 11: блокирующий штырь
- 12: крепежный штырь
- 13: стопорный штифт
- 14: карабин страховочного стропа
- 15: приспособление для регулировки длины стропа LCM 05
- 16: карабин приспособления для регулировки длины стропа LCM 05
- 17: страховочный строп
- 18: маленький опорный кронштейн
- 19: блокирующий штырь
- 20: крепежный штырь
- 21: предохранительный штифт
- 22: направляющий кронштейн для стропа
- 23: стопор для стропа
- 24: запорный винт

Соответствие снаряжения нормативам

- EN 341 класс А: спусковое устройство с высокими эксплуатационными характеристиками.
- EN 1496 класс А: спасательная система с функцией подъема.
- Статья 11 В Директивы 89/686/СЕЕ, под контролем нотифицированного органа: компании АРАВЕ СУДЕУРОПЕ, СS 60193, F-13322 Marseille, Cedex 16, France (Франция), зарегистрированной за номером 0082.
- Оборудование идентично средствам индивидуальной защиты, отмеченным сертификатом соответствия требованиям ЕС типа свидетельства компании АРАВЕ СУДЕУРОПЕ, СS 60193, F-13322 Marseille, Cedex 16, France (Франция), зарегистрированной за номером 0082, и протестировано на соответствие требованиям стандарта EN 341 класс А от 1993 года и стандарта EN 1496 класс А от 2006 года и ТР ТС 019/2011.

4. Функции и описание

4.1. Функции

4.1.1. Функция спуска

Данная функция позволяет осуществлять спуск 1 или 2 человек с регулируемой скоростью от 0,5 до 2 м/с благодаря центробежному тормозу, действующему в двух направлениях. Устройство может использоваться для вертикального спуска. Данной функцией снабжены все устройства derope™ марки Tractel®.

4.1.2. Функция подъема

Данная функция позволяет осуществлять эвакуацию человека путем его подъема.

- Функция может быть реализована посредством ручного штурвала, оборудованного складной рукояткой и приводящегося в действие спасателем. Скорость подъема составляет около 1 м/мин.
- Функция может быть реализована посредством ручного инструмента, например дрели или шуруповерта, который прикрепляется к шестигранной гайке, крепящей шестерню в центре штурвала. Скорость подъема составляет около 5 м/мин.

Данной функцией снабжены устройства derope™ UP A / UP B / UP K / UP R.

4.1.3. Функция замедления или остановки спуска

Пропустив свободную ветвь каната через направляющий механизм, спасатель может вручную замедлить или даже остановить спуск. Для того чтобы зафиксировать устройство в остановленном

состоянии, необходимо вставить свободную ветвь каната в кулачковый стопор. Данной функцией снабжены все устройства derope™ марки Tractel®.

4.1.4. Эксплуатация с дополнительным оборудованием

4.1.4.1. Устройства derope™ STD и UP A

Оба эти устройства крепятся при помощи карабина, расположенного в их верхней части, к любому анкерному креплению, соответствующему требованиям стандарта EN 795, или к любой другой конструкции, обладающей сопротивлением разрыву свыше 10 кН (1 тонна).

4.1.4.2. Устройство derope™ UP B

Данное устройство укомплектовано кронштейном для крепления к лестнице. Кронштейн фиксируется на 2 последовательных поперечинах лестницы и в обязательном порядке закрепляется с помощью страховочного стропа в соответствии с рекомендациями, содержащимися в § 6.

4.1.4.3. Устройство derope™ UP K

Данное устройство укомплектовано опорным кронштейном для перекладины или лестницы. Кронштейн фиксируется и в обязательном порядке закрепляется с помощью страховочного стропа в соответствии с рекомендациями, содержащимися в § 6.

4.1.4.4. Устройство derope™ UP R

Данное устройство укомплектовано крепежным кронштейном, предназначенным для крепления исключительно к треноге trapode марки Tractel®. Кронштейн фиксируется на одной из опор треноги посредством крепежного штыря.

4.2. Аксессуары

Специальная сумка для устройства derope™ и барабана для каната предназначена для хранения устройства derope™ STD либо derope™ UP A с канатом длиной до 80 метров. Сумка облегчает перевозку оборудования и работу с ним в ходе спасательных операций. По желанию пользователя устройства derope™ снабжаются намотчиком, который позволяет разматывать канат и предотвращает риск его запутывания в ходе эксплуатации.

4.3. Техническая спецификация и эксплуатация изделия совместно с используемыми материалами

Торговое обозначение	derope™ STD	derope™ UP A	derope™ UP B	derope™ UP K	derope™ UP R
Вес (кг)	1,9	3,0	6,1	4,6	6,5
Примерные габаритные размеры (мм) (в × д × ш)	170 × 120 × 105	225 × 200 × 165	430 × 200 × 315	265 × 200 × 325	485 × 265 × 165
Подъемная лебедка	Неприменимо	Да			
Максимальная нагрузка при подъеме	Неприменимо	120 кг			
Усилие на рукоятке штурвала	Неприменимо	5 кг			
Стандарты	EN 341 класс А	EN 341 класс А + EN 1496 класс А			
Скорость спуска	От 0,5 м/с до 2 м/с				
Канат	Канат Tractel® диаметром 10,5 мм				

4.4. Строп

⚠ ОПАСНО: канат марки Tractel®, поставляемый вместе с устройством, является единственным канатом, который был официально одобрен для использования на устройстве derope™ марки Tractel®. Канат может поставляться в вариантах длины от 10 до 400 м, в зависимости от условий поставки Tractel®.

⚠ ОПАСНО: запрещается использовать устройство с треногой любого другого производителя.

5.3. Двухшквивный блок с последовательными шкивами

– Блок с двумя последовательно расположенными шкивами, предназначенный для эвакуации человека с помощью натянутого троса.

5. Сопутствующие изделия

5.1. Приспособление для поддержки тела человека

- Страховочная привязь соответствует стандарту EN 361. Эвакуируемое лицо присоединяется к устройству с помощью двух узлов крепления системы защиты от падения. Узел крепления системы защиты от падения имеет маркировку «А», если он может использоваться самостоятельно, или «А/2», если он должен использоваться в сочетании с другим узлом крепления с маркировкой «А/2».
- Спасательная привязь и спасательный строп соответствуют стандартам EN 1497 и EN 1498 соответственно. Эвакуируемое лицо присоединяется к узлу крепления спасательной системы, рядом с которым находится специальная метка.

5.2. Крепежные приспособления

- Крепежные приспособления должны соответствовать требованиям стандарта EN 795. Они должны обладать минимальным сопротивлением 10 кН (1 тонна).
- Устройство derope™ UP R специально разработано и официально одобрено в качестве устройства для крепления к опоре треноги traspode марки Tractel®.

5.4. Многофункциональная анкерная пластина

– Многофункциональная анкерная пластина позволяет присоединять несколько карабинов к одному и тому же анкерному креплению. Позволяет направлять и распределять нагрузку во время манипуляций в рамках спасательной операции.

5.5. Дрель (шурупверт)

– Дрель (шурупверт) минимальной мощностью 300 Вт, которая (-ый) используется оператором совместно с устройствами derope™ UP в качестве вспомогательного устройства для эвакуации людей путем подъема.

– В случае использования аккумуляторной дрели (шурупверта) в нее (него) необходимо вставить аккумуляторную батарею с минимальным напряжением 14 В, чтобы обеспечить необходимую мощность для проведения данной операции.

6. Установка

6.1. Предварительные требования для установки

1. Установка устройства derope™ должна осуществляться компетентным лицом, прошедшим специальную подготовку.
2. Установка и эксплуатация устройств derope™ должна осуществляться в соответствии с законами и подзаконными актами той страны, в которой используются данные устройства.

6.2. Проверка перед установкой

⚠ ОПАСНО: указанные ниже виды проверок должны проводиться в тот момент, когда возникает вероятность использования устройства derope™, чтобы какая-либо нештатная ситуация не воспрепятствовала проведению проверки.

1. Проведите визуальную проверку основной конструкции:
 - Анкерное крепление для устройств derope™ STD и UP A должно соответствовать стандарту EN 795 или обладать минимальным сопротивлением 10 кН (1 тонна).
 - Лестница для устройств derope™ UP B и UP K:
 - Стойки не должны быть деформированы и должны быть надлежащим образом прикреплены к стене: минимальное сопротивление – 10 кН (1 тонна).
 - Поперечины, на которых устанавливается кронштейн, не должны быть деформированы.

– Тренога traspode марки Tractel® для устройств derope™ UP R:

- Телескопические опоры не должны быть деформированы или согнуты.
- На всех опорах должны присутствовать башмаки из резины.
- На головке треноги traspode должен присутствовать направляющий блок.
- На головке треноги traspode должны отсутствовать следы деформации и коррозии.
- В направляющем блоке должен присутствовать штырь для гашения рывка каната.

2. Проведите визуальную проверку каната по всей длине, а также его концов, чтобы убедиться в целостности защитного кожуха каната и постоянстве диаметра каната.

3. Проверьте, как функционирует устройство, вручную вытянув и обратно смотав не менее 1 метра стропа, чтобы убедиться в том, что сопротивление перемещению увеличивается по мере увеличения скорости перемещения.

4. Убедитесь в том, что кожухи находятся в исправном состоянии: на них должны отсутствовать заметные следы повреждений; маркировка должна присутствовать во всех местах и являться четкой.

5. Проверьте карабины: на них должны отсутствовать следы деформации и коррозии; они должны закрываться и блокироваться надлежащим образом.

6. Проверьте кронштейны для устройств derope™ UP B / UP K / UP R: на них должны отсутствовать следы деформации и коррозии, они должны блокироваться надлежащим образом.

7. Проверьте страховочные стропы для устройств derope™ UP B и UP K: проверьте канат, карабины, приспособление для регулировки длины стропа.

8. Проверьте все сопутствующие изделия в соответствии с рекомендациями, содержащимися в инструкциях к ним.

9. Убедитесь в том, что устройство derope™ проходило периодическую проверку в течение последних 12 месяцев.

10. Убедитесь в том, что устройство derope™ позволяет осуществить дополнительные последовательные спуски, а также что оно может эксплуатироваться на той высоте и с той нагрузкой, которая является необходимой для проведения соответствующей операции: см. таблицу 2, § 7-1.

⚠ ОПАСНО: в том случае, если в результате проверки были выявлены несоответствия,

следует повесить на устройство предупредительную табличку, чтобы предотвратить его эксплуатацию, а затем устройство должно быть отремонтировано компетентным лицом, прошедшим специальную подготовку (см. § 10-1).

6.3. Монтаж устройства derope™

6.3.1. Устройства derope™ STD и derope™ UP A

1. Определите или установите анкерное крепление для устройства derope™.
2. Убедитесь в том, что анкерное крепление соответствует стандарту EN 795 или обладает сопротивлением свыше 10 кН (1 тонна).
3. Прикрепите устройство derope™ при помощи верхнего карабина к анкерному креплению, выбранному вами для проведения спасательной операции, над эвакуируемым лицом.
4. Заблокируйте карабин.
5. Спустите канат, убедившись в том, что он не спутан, не имеет узлов, не контактирует с острыми кромками, а также что его конец достает до земли.
6. Убедитесь в отсутствии препятствий на пути эвакуации и в зоне приема. Примеры: электрические провода, железная арматура, стеклянная поверхность.

6.3.2. Устройство derope™ UP B (рис. 6)

1. Установите большой кронштейн, предназначенный для крепления к поперечине лестницы, в положение, выбранное вами для проведения спасательной операции, над эвакуируемым лицом (рис. 6, 1).
2. Поднимите блокирующий зажим и установите его на поперечине, расположенной непосредственно под той поперечиной, на которую установлен большой кронштейн (рис. 6, 2).
3. Зафиксируйте блокирующий штырь блокирующего зажима с помощью завинчивающейся головки, которая находится на кронштейне сбоку (рис. 6, 3).
4. Установите страховочный строп:
 - Пропустите карабин приспособления для регулировки длины стропы LCM 05 через отверстие в верхней части крепежного штыря (рис. 6, 4.1).
 - Оберните страховочный строп вокруг поперечины, находящейся над кронштейном, обойдя одну из стоек лестницы (рис. 6, 4.2).

- Присоедините карабин страховочного стропы к карабину приспособления для регулировки длины стропы LCM 05 (рис. 6, 4.3).
- Натяните страховочный строп, потянув за свободную ветвь (рис. 6, 4.4).

5. Спустите канат, убедившись в том, что он не спутан, не имеет узлов, не контактирует с острыми кромками, а также что его конец достает до земли.
6. Убедитесь в отсутствии препятствий на пути эвакуации и в зоне приема. Примеры: электрические провода, железная арматура, стеклянная поверхность.
7. Установите устройство derope™ в нужное положение, меняя положение крепежного штыря в делительном устройстве (рис. 6, 7.1–7.2).

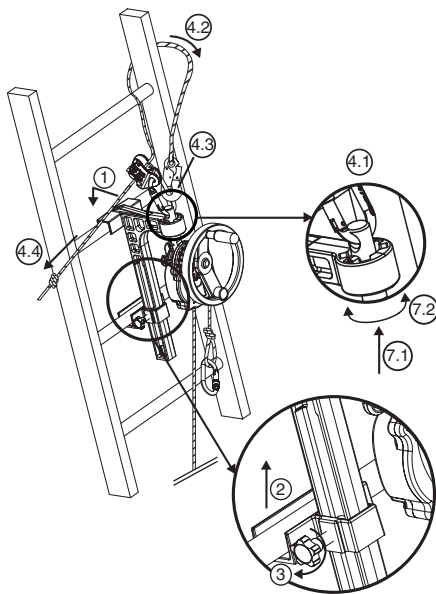


Рис. 6

6.3.3. Устройство derope™ UP K (рис. 7)

1. Установите маленький опорный кронштейн на поперечину лестницы в положение, требуемое для проведения спасательной операции, над эвакуируемым лицом (рис. 7, 1).
2. Зафиксируйте блокирующий штырь, находящийся позади опорного кронштейна, с помощью завинчивающейся головки (рис. 7, 2).
3. Установите страховочный строп:
 - Пропустите карабин приспособления для регулировки длины стропы LCM 05 через

отверстие в верхней части крепежного штыря (рис. 7, 3.1).

- Оберните страховочный строп вокруг поперечины, находящейся над кронштейном, обойдя одну из стоек лестницы (рис. 7, 3.2).
- Присоедините карабин страховочного стропа к карабину приспособления для регулировки длины стропа LCM 05 (рис. 7, 3.3).
- Натяните страховочный канат, потянув за свободную ветвь (рис. 7, 3.4).

⚠ ОПАСНО: в случае неправильной установки страховочного каната существует риск падения со смертельным исходом.

4. Спустите канат, убедившись в том, что он не спутан, не имеет узлов, не контактирует с острыми кромками, а также что его конец достает до земли.
5. Убедитесь в отсутствии препятствий на пути эвакуации и в зоне приема. Примеры: электрические провода, железная арматура, стеклянная поверхность.
6. Установите устройство derope™ в нужное положение, меняя положение крепежного штыря в делительном устройстве (рис. 7, 6.1–6.2).

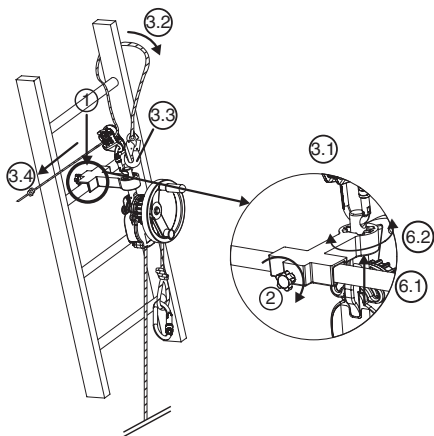


Рис. 7

6.3.4. Устройство derope™ UP R (рис. 8, 9 и 10)

Устройство derope™ UP R устанавливается на опоре треноги trascode марки Tractel®, как показано на рис. 8. Крепление устройства иным способом и в иной части треноги trascode марки Tractel® запрещено.

Для эксплуатации устройства derope™ UP R на одной из 3 опор треноги trascode необходимо, чтобы в верхней части треноги был установлен направляющий блок. Если на той же самой треноге trascode используется другое устройство (устройство втягивающего типа blocfor™ либо

лебедка caRoI™), то в верхней части треноги должно быть установлено 2 направляющих блока. В том случае, если устройство derope™ UP R не установлено на кронштейне для треноги trascode марки Tractel®, начните монтаж устройства в соответствии со следующими инструкциями:

1. Отвинтите запорный винт на крюке, с помощью которого кронштейн крепится к устройству derope™ UP R (рис. 8, 1).
2. Установите устройство derope™ UP R, нацепив его на крепежный крюк (рис. 8, 2.1–2.2).
3. Вновь затяните запорный винт, чтобы предотвратить отсоединение устройства от кронштейна (рис. 8, 3), и убедитесь в том, что винт установлен и затянут надлежащим образом.

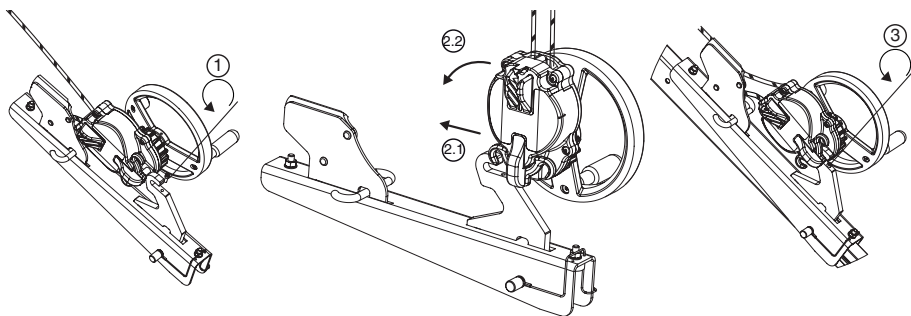


Рис. 8

Когда устройство derope™ UP R устанавливается на кронштейне для треноги traspode марки Tractel®:

1. Расположите треногу traspode марки Tractel® в сложенном состоянии на земле.
2. Отрегулируйте опоры треноги traspode марки Tractel®, чтобы обеспечить желаемую высоту: см. руководство по эксплуатации треноги traspode.
3. Выберите опору треноги traspode марки Tractel®, оборудованную на верхнем конце направляющим блоком. Достаньте из опоры крепежный штырь.
4. Разместите отверстие для крепления кронштейна напротив отверстия для крепления опоры треноги traspode марки Tractel®.



ВАЖНО: во время монтажа устройства следует обратить внимание на фиксатор стропа, который должен быть направлен в сторону головки треноги traspode (рис. 9).

5. Установите штырь для крепления кронштейна к устройству derope™ UP R. Данный крепежный штырь выполняет две функции: фиксация опоры треноги traspode и крепление кронштейна для устройства derope™ UP R к этой опоре (рис. 9, 5).
6. Зафиксируйте крепежный штырь с помощью предохранительного штифта (рис. 9, 6).
7. Полностью разложите треногу traspode.
8. Вытяните штифт со сферической головкой, находящийся в верхней части направляющего блока, установленного на головке треноги traspode (рис. 10, 8).
9. Пропустите строп устройства derope™ через направляющий блок (рис. 10, 9).

10. Вновь установите штифт со сферической головкой, чтобы предотвратить выскальзывание стропа из направляющего блока (рис. 10, 10).

11. Разомкните стопор для каната, расположенный на кронштейне (рис. 9, 11).

12. Пропустите канат, выходящий из устройства derope™, через стопор для каната, расположенный на кронштейне (рис. 9, 12).

13. Спустите канат, убедившись в том, что он не спутан, не имеет узлов, не контактирует с острыми кромками, а также что его конец достает до земли.

14. Замкните стопор для каната, расположенный на кронштейне (рис. 9, 14).

15. Убедитесь в отсутствии препятствий на пути эвакуации и в зоне приема. Примеры: электрические провода, железная арматура, стеклянная поверхность.

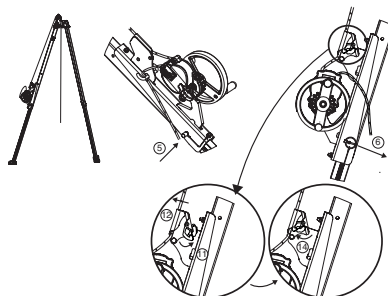


Рис. 9

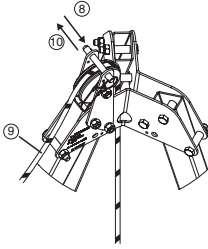


Рис. 10

6.3.5. Эксплуатация устройства deropre™ UP с помощью дрели (шурупверта)

⚠ ОПАСНО:

- Перед тем как вставить дрель (шурупверт) в шпindelь штурвала устройства deropre™ UP R, убедитесь в том, что складная рукоятка штурвала сложена надлежащим образом.
- Установите патрон дрели (шурупверта) таким образом, чтобы он охватывал все шесть граней шпинделя штурвала.
- Закрепите патрон дрели на шестигранном шпинделе.

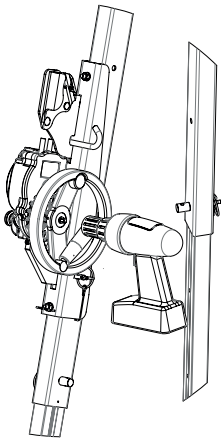


Рис. 11

7. Эксплуатация

7.1. Рекомендации по эксплуатации и эксплуатационные ограничения устройства deropre™

⚠ ОПАСНО: устройства deropre™ нередко используются в ходе высотных работ. В этой

связи следует помнить о том, что при проведении высотных работ необходимо соблюдать следующие условия:

- Лица, выполняющие высотные работы, должны находиться в отличной физической и психологической форме.
- Лица, выполняющие высотные работы, должны пройти специальную подготовку.
- Запрещается выполнять высотные работы беременным женщинам.
- Перед выполнением высотных работ необходимо составить план спасения.

В случае самостоятельной эвакуации устройства deropre™ должны использоваться только компетентными лицами, прошедшими специальную подготовку, а при отсутствии таких лиц устройства должны использоваться под контролем лица, обладающего соответствующими полномочиями.

В случае аварийной эвакуации спасательные операции должны проводиться только теми лицами, которые прошли специальную подготовку и обладают соответствующими полномочиями.

Рекомендации по эксплуатации различных моделей устройства deropre™ приведены в таблице ниже.

RU

Эксплуатация	derope™ STD	derope™ UP A	derope™ UP B	derope™ UP K	derope™ UP R
Самостоятельная вертикальная эвакуация	Да	Да	Да (*)	Да (*)	Нет
Самостоятельная эвакуация по наклонной плоскости	Да	Да	Нет	Нет	Нет
Аварийная эвакуация	(***)	Да	Да (*)	Да (*)	Да (**)

*: используется только на лестнице

** : используется на треноге trascode марки Tractel®, которая устанавливается над отверстием на открытом пространстве, в частности над колодцами, силосными ямами и т. д.

***: Нет, если устройство derope™ используется самостоятельно; да, если устройство derope™ используется с персональным подъемным устройством, с помощью которого эвакуируемое лицо может быть поднято, благодаря чему снижается нагрузка на систему защиты от падения.

⚠ ОПАСНО: при спуске существуют ограничения по эксплуатации устройства derope™ в плане нагрузки, высоты и количества повторных спусков.

– при максимальной нагрузке 150 кг максимальная высота спуска составляет 400 м. При повторных спусках существуют ограничения по эксплуатации устройства derope™ в плане нагрузки, высоты и количества повторных спусков в соответствии с приведенной ниже таблицей.

В случае однократного спуска:

– максимальная нагрузка составляет 225 кг при максимальной высоте спуска 200 м.

Максимальное количество повторных спусков					
Высота спуска		< 50 м	< 125 м	< 200 м	< 400 м
Рабочая нагрузка	До 100 кг	60	24	15	7
	От 100 кг до 150 кг	20	8	5	2
	От 150 кг до 225 кг	6	2	1	Запрещено

⚠ ОПАСНО: каждый раз после использования устройства derope™ как для однократного, так и для повторных спусков, оно должно быть проверено компетентным лицом, прошедшим специальную подготовку.

⚠ ОПАСНО: необходимо контролировать совокупную высоту спусков. В том случае, если совокупная высота спусков превышает предельный показатель, приведенный в таблице в § 10-1, независимо от количества времени, за которое была достигнута эта общая высота, устройство должно пройти осмотр в соответствии с § 10-1, который должен проводиться компетентным лицом, прошедшим специальную подготовку.

Устройство может использоваться в пределах температурного диапазона от -35 °C до +50 °C.

⚠ ОПАСНО: в случае эксплуатации при отрицательной температуре (от -35 °C до 0 °C) устройство, включая канат, должно быть сухим.

⚠ ОПАСНО: вес лица, использующего устройство derope™, должен превышать 30 кг.

⚠ ОПАСНО: во избежание риска получения ожогов запрещается прикасаться к устройству

derope™ в ходе эксплуатации и до его охлаждения.

7.2. Самостоятельная вертикальная эвакуация

Данный вид эвакуации осуществляется с помощью устройств derope™ STD, derope™ UP A, derope™ UP B и derope™ UP K. Две последние модели предназначены для использования с лестницей.

Эвакуируемое лицо должно быть экипировано страховочной привязью (стандарта EN 361), спасательной привязью (стандарта EN 1497) или спасательным стропом (стандарта EN 1498 класс A или B).

В ходе самостоятельной вертикальной эвакуации эвакуируемое лицо не должно отклоняться от вертикальной траектории движения более чем на 20 ° во избежание слишком сильного раскачивания.

1. После установки устройства derope™ в соответствии с инструкциями, содержащимися в § 6, выполните следующие действия:

2. Пристегните эвакуируемое лицо или себя с помощью карабина, находящегося на конце эвакуационной ветви устройства derope™, к:

– узлу крепления страховочной привязи, соответствующего стандарту EN 361: узел крепления имеет маркировку «A», если он может

использоваться самостоятельно, или «A/2», если он должен использоваться в сочетании с другим узлом крепления с маркировкой «A/2».

- узлу крепления спасательной привязи, соответствующей стандарту EN 1497, или спасательного стропа, соответствующего стандарту EN 1498 класс А или В, на который рядом с узлом крепления нанесена специальная метка.
3. Потяните за свободную ветвь каната, чтобы натянуть эвакуационную ветвь.
 4. Пропустите свободную ветвь каната через направляющий механизм, а затем через кулачковый стопор.
 5. При необходимости убедитесь в том, что рукоятка штурвала устройства *degore™ UP* сложена.
 6. Разместите эвакуируемое лицо над отверстием. Эвакуируемое лицо не упадет, поскольку канат заблокирован кулачковым стопором.
 7. Начните спуск, высвободив свободную ветвь каната из кулачкового стопора.
 8. По завершении спуска отстегните эвакуируемое лицо.
 9. Как только соединитель, находящийся на свободной ветви каната, будет поднят к устройству *degore™*, при наличии еще одного эвакуируемого лица, повторите действия, описанные в п. 1–7.
 10. В случае повторных спусков следует учитывать максимальное количество спусков, приведенное в таблице в § 7.1.

7.3. Самостоятельная эвакуация по наклонной плоскости (рис. 12)

Данный вид эвакуации осуществляется с помощью устройств *degore™ STD* и *degore™ UP A*.

В месте эвакуации следует натянуть верёвку или трос под углом 30–60 ° к вертикали.

На верхнем конце верёвки следует установить двухшківный блок с последовательными шкивами и многофункциональной анкерной пластиной.

Эвакуируемое лицо должно быть экипировано страховочной привязью, которая в целях удобства желательно снабдить креплением на груди (соответствующим стандарту EN 361); спасательной привязью (стандарта EN 1497) или спасательным стропом (стандарта EN 1498 класс В).

1. После установки устройства *degore™* в соответствии с инструкциями, содержащимися в § 6, пристегните эвакуационную ветвь устройства *degore™* к многофункциональной

анкерной пластине, соединенной с двухшківным блоком с последовательными шкивами.

2. Прикрепите один конец троса, снабженного 2 карабинами, к анкерной пластине, соединенной с двухшківным блоком с последовательными шкивами, а другой – к:
 - узлу крепления страховочной привязи, соответствующей стандарту EN 361. Узел крепления имеет маркировку «А», если он может использоваться самостоятельно, или «A/2», если он должен использоваться в сочетании с другим узлом крепления с маркировкой «A/2».
 - узлу крепления спасательной привязи, соответствующей стандарту EN 1497, или спасательного стропа, соответствующего стандарту EN 1498 класс В, на который рядом с узлом крепления нанесена специальная метка.
3. Потяните за свободную ветвь устройства *degore™*, чтобы натянуть эвакуационную ветвь.
4. Пропустите свободную ветвь каната через направляющий механизм, а затем через кулачковый стопор.
5. Убедитесь в том, что рукоятка штурвала устройства *degore™ UP* сложена.
6. Спуститесь по натянутой верёвке или тросу.
7. Начните спуск, высвободив свободную ветвь из кулачкового стопора.
8. По завершении спуска отстегните эвакуируемое лицо и двухшківный блок с последовательными шкивами.
9. Как только карабин, находящийся на свободной ветви каната, будет поднят к устройству *degore™*, при наличии еще одного эвакуируемого лица, повторите действия, описанные в п. 1–8.

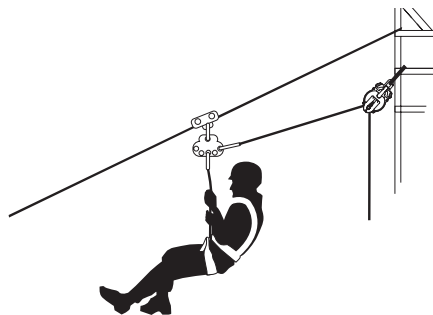



Рис. 12

7.4. Аварийная эвакуация

 **ПРИМЕЧАНИЕ:** настоящий раздел не содержит описание спасательной операции. Цель настоящего раздела заключается в том, чтобы продемонстрировать надлежащую эксплуатацию устройств derope™ на конкретном примере.

Любая спасательная операция должна осуществляться лицом, прошедшим специальную подготовку и обладающим специальными полномочиями. Перед проведением спасательной операции необходимо поставить об этом в известность сотрудников службы по чрезвычайным ситуациям.

В ходе всего спуска спасатель должен поддерживать зрительный контакт с эвакуируемым лицом, чтобы при необходимости иметь возможность действовать. Спасательные операции, описанные в настоящем разделе, проводятся с помощью устройства derope™, снабженного подъемной системой, которая состоит из ручного штурвала для подъема человека, экипированного системой защиты от падения. По мере возможности спасатель должен совершать манипуляции, находясь рядом с эвакуируемым лицом. При отсутствии такой возможности спасатель совершает манипуляции с анкерным креплением системы защиты от падения, которой экипировано эвакуируемое лицо.

В приведенном ниже примере эвакуируемое лицо экипировано системой защиты от падения и собирается совершить прыжок. Спасатель подбирается ближе к эвакуируемому лицу.


1. Добравшись до эвакуируемого лица и установив устройство derope™ в соответствии с инструкциями, содержащимися в § 6, пристегните эвакуируемое лицо с помощью карабина, находящегося на конце эвакуационной ветви устройства derope™, к:
 - узлу крепления страховочной привязи, соответствующего стандарту EN 361: узел крепления имеет маркировку «А», если он может использоваться самостоятельно, или «А/2», если он должен использоваться в сочетании с другим узлом крепления с маркировкой «А/2».
 - узлу крепления спасательной привязи, соответствующей стандарту EN 1497, или спасательного стропа, соответствующего стандарту EN 1498 класс В, на который рядом с узлом крепления нанесена специальная метка.
2. С помощью ручного штурвала поднимите эвакуируемое лицо, чтобы снизить нагрузку, оказываемую на систему защиты от падения.
3. Пропустите свободную ветвь каната через направляющий механизм, а затем через кулачковый стопор.


4. Сложите рукоятку штурвала устройства derope™ UP.
5. Отстегните эвакуируемое лицо от системы защиты от падения в месте ее крепления.
6. Начните спуск, высвободив свободную ветвь из кулачкового стопора.


7.5. Подъем

Используя устройство derope™ UP R с кронштейном для треноги tracode марки Tractel®, вы можете поднимать человека:

- путем вращения штурвала вручную;
- с помощью дрели (шуруповерта).

 **ОПАСНО:** перед тем как использовать дрель (шуруповерт) для приведения в действие устройства derope™ UP R, необходимо в обязательном порядке сложить складную рукоятку.

 **ОПАСНО:** в ходе операции по подъему необходимо в обязательном порядке держать дрель (шуруповерт) обеими руками.

 **ОПАСНО:** ни в коем случае нельзя выпускать из рук дрель (шуруповерт), если эвакуируемое лицо находится в подвешенном состоянии на устройстве derope™ UP R.

8. Ограничения по использованию оборудования

Строго запрещается:

1. Устанавливать или использовать устройство derope™ без соответствующего разрешения, подготовки и квалификации или, при отсутствии таковых, не под наблюдением лица, имеющего соответствующее разрешение, подготовку и квалификацию.
2. Использовать устройство derope™, если маркировка отсутствует хотя бы в одном из мест или является неразборчивой.
3. Устанавливать или использовать устройство derope™, не прошедшее предварительную проверку (см. § 6-2).
4. Использовать устройство derope™, которое не проходило в течение последних 12 месяцев периодическую проверку, проводящуюся техническим специалистом, и на повторную эксплуатацию которого не было выдано письменное разрешение (см. §10-1).

5. Использовать устройство derope™ в каких-либо иных целях, за исключением операций по эвакуации и спасению людей.
6. Использовать канат, отличный от каната, произведенного Tractel S.A.S, для устройства derope™.
7. Крепить устройство derope™ к анкерному креплению, не соответствующему требованиям стандарта EN 795. Анкерное крепление должно обладать сопротивлением не менее 10 кН.
8. Пристегивать устройство derope™ с помощью приспособлений, отличных от предусмотренных Tractel S.A.S.
9. Устанавливать устройство derope™ не над эвакуируемым лицом.
10. Использовать устройство derope™, не проверив объем свободного пространства вокруг эвакуируемого лица, который будет иметься при спуске или подъеме.
11. Использовать устройства derope™ UP B и UP K, не установив страховочный строп.
12. Использовать устройство derope™ UP R с треногой, отличной от треноги traspode, которая производится Tractel S.A.S.
13. Использовать устройство derope™ сверх срока службы, предусмотренного Tractel S.A.S.
14. Использовать устройство derope™ с превышением максимальной разрешенной нагрузки или высоты спуска.
15. Использовать устройство derope™, если вес эвакуируемого лица составляет менее 30 кг.
16. Использовать устройство derope™ для совершения повторных спусков, если их количество превышает максимальное разрешенное.
17. Использовать устройство derope™ в составе системы защиты от падения в смысле стандарта EN 363.
18. Использовать устройство derope™ в качестве подвешенного крепления для удержания на рабочем месте.
19. Использовать устройство derope™ во взрывоопасной атмосфере.
20. Подвергать устройство derope™ или канат данного устройства воздействию источника тепла или прямого света.
21. Использовать устройство derope™ или канат данного устройства вне температурного диапазона от -35 °C до +50 °C.
22. Допускать контакт устройства derope™ или каната данного устройства с агрессивными химическими веществами, абразивными и острыми поверхностями.
23. Использовать устройство derope™, если конец каната не достигает земли.
24. Вмешиваться в процесс автоматического выравнивания устройства derope™ по отношению к канату.
25. Препятствовать свободному вращению штурвала устройств derope™ UP A, B, K и R.
26. Вставлять любые предметы в отверстия для каната устройства derope™.
27. Вскрывать устройство derope™, смазывать его или вносить какие-либо изменения в его конструкцию.
28. Приступать к ремонту устройства derope™ без соответствующей подготовки и квалификации, подтвержденной в письменном виде Tractel S.A.S.
29. Прикасаться к устройству derope™, не убедившись в том, что оно остыло после эксплуатации.
30. Приводить в действие устройство derope™ UP R, установленное на кронштейне для треноги traspode марки Tractel®, при помощи дрели (шуруповерта), если складная рукоятка не сложена.
31. Приводить в действие устройство derope™ UP R, установленное на кронштейне для треноги traspode марки Tractel®, при помощи дрели (шуруповерта), если пользователь не держит дрель (шуруповерт) обеими руками.
32. Выпускать из рук дрель (шуруповерт), вставленную(ый) в конец шпинделя устройства derope™ UP R, если на данном устройстве в подвешенном состоянии находится человек.

9. Транспортировка и хранение

Оборудование, описанное в настоящем руководстве, должно транспортироваться и храниться в оригинальной упаковке. Во время хранения и (или) транспортировки данное оборудование должно:

1. Оставаться сухим.
2. Содержаться при температуре от -35 °C до +50 °C.
3. Быть защищено от источников тепла и ультрафиолетовых лучей.

4. Быть защищено от воздействия химических веществ, механического и иных видов воздействия.

10. Периодическая проверка и ремонт

Ежегодная периодическая проверка является обязательной, однако с учетом частоты использования, условий окружающей среды, а также норм и правил предприятия или страны, где используется снаряжение, периодическую проверку можно проводить чаще.

Периодическая проверка осуществляется уполномоченным компетентным техническим специалистом с соблюдением порядка проведения проверки, установленного изготовителем и описанного в файле «Инструкции по проверке СИЗ Tractel®».

Неотъемлемой частью периодической проверки является контроль четкости маркировки на изделии. По завершении периодической проверки уполномоченный компетентный технический специалист, проводивший проверку, выдает письменное разрешение на передачу изделия в эксплуатацию. Передача изделия в эксплуатацию должна быть зафиксирована в контрольном листке, который находится в середине настоящей инструкции. Данный контрольный листок должен храниться на протяжении всего срока службы изделия, до момента его списания.

Если данное изделие предотвратило падение хотя бы один раз, оно в обязательном порядке подлежит периодической проверке в соответствии с положениями настоящей статьи. Текстильные компоненты изделия в обязательном порядке подлежат замене, даже в случае отсутствия видимых повреждений.

10.1. Осмотр устройства

⚠ ОПАСНО: осмотр устройства является обязательным в следующих случаях:

1. Если в ходе ежегодной или иной проверки было обнаружено нарушение либо если была выявлена неисправность или заметный дефект.
2. Когда совокупная высота спусков достигла предельного показателя в соответствии с таблицей ниже, независимо от количества времени, за которое была достигнута эта совокупная высота.

Предельный показатель совокупной высоты спусков, по достижении которого необходимо в обязательном порядке произвести осмотр устройства и замену каната.

Нагрузка	До 100 кг	3000 м
	От 100 кг до 150 кг	1000 м
	От 150 кг до 225 кг	300 м

Осмотр устройства должен производиться только компетентным лицом, прошедшим специальную подготовку по проведению технического обслуживания данного устройства и назначенным Tractel® либо ремонтной организацией, одобренной Tractel®.

Необходимо в обязательном порядке произвести замену каната, когда совокупная высота спусков, совершенных с помощью устройства, достигнет предельного показателя, приведенного в таблице выше.

11. Срок службы

Текстильные СИЗ TRACTEL®, такие как привязные ремни безопасности, тросы, канаты и амортизаторы, механические СИЗ TRACTEL®, такие как системы защиты от падения stopcable™ и stopfor™, автоматические системы защиты от падения blocfor™, спусковые устройства Derope™ и страховочные линии TRACTEL®, пригодны к использованию при условии, что начиная с даты их изготовления:

- СИЗ эксплуатируются в нормальном режиме, с соблюдением всех эксплуатационных требований, описанных в настоящем руководстве;
- СИЗ проходят периодическую проверку, которая проводится уполномоченным компетентным техническим сотрудником, не реже одного раза в год; по окончании такой проверки выдается письменное разрешение на передачу СИЗ в эксплуатацию;
- строго соблюдаются условия хранения и транспортировки, изложенные в настоящем руководстве.

12. Утилизация

После окончательного списания различные составляющие снаряжения в обязательном порядке подлежат повторному использованию, что требует сортировки металлических и синтетических деталей.

Такие детали проходят обработку в специализированных учреждениях. Разборка списанного снаряжения с целью сортировки его составляющих должна выполняться квалифицированным специалистом.

13. Маркировка изделия

13.1. Маркировка спускового устройства derope™

Этикетки, которыми помечают устройства derope™, изображены на рисунках 13а, 13б и 13с. На этикетке указывается:

- a: товарный знак: Tractel®.
- b: название изделия.
- c: применимый стандарт с указанием года.
- d: номер изделия, например 010042.
- e: логотип «СЕ» с указанием номера 0082 (номера нотифицированного органа, ответственного за контроль производства), статья 11 В.
- f: год и неделя изготовления.
- g: номер серии.
- h: условное обозначение, указывающее на необходимость прочесть руководство перед эксплуатацией изделия.
- i: визуальная и функциональная проверка перед использованием.
- j: диаметр каната Tractel®.
- k: температурный диапазон, в пределах которого должно использоваться изделие.
- l: предельные нагрузки и длины при эксплуатации изделия.
- m: не допускать трения каната об острую кромку.
- n: использование в целях стандартной эвакуации.
- o: использование в целях эвакуации по наклонной плоскости.
- p: использование в целях стандартной и аварийной эвакуации.

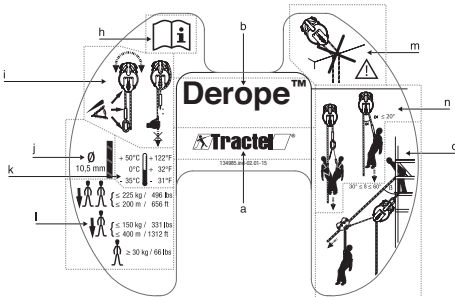


Рис. 13а

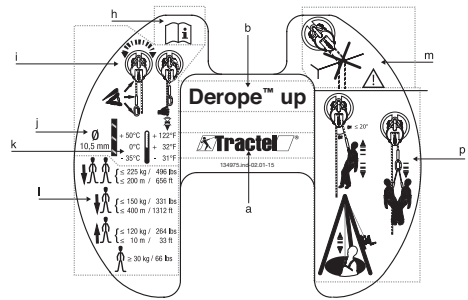


Рис. 13б

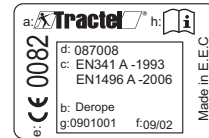


Рис. 13с

13.2. Маркировка каната

Этикетка, которой помечают каждый из канатов устройства derope™, изображена на рисунке 14. На этикетке указывается:

- a: товарный знак: Tractel®.
- y: стандартная длина каната.
- z: длина данного каната.

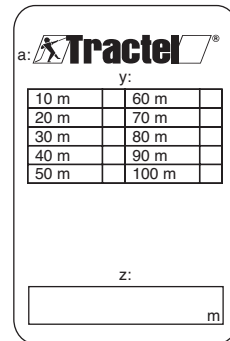


Рис. 14

F TRACTEL S.A.S.

RD 619 Saint-Hilaire-sous-Romilly, B.P. 38
Romilly-sur-Seine 10102 FRANCE
T : +33 3 25 21 07 00 - Fax : +33 3 25 21 07 11

L TRACTEL SECALT S.A.

P.O. Box 75, Esch-sur-Alzette 4001 LUXEMBOURG
Rue de l'Industrie, Foetz 3895 LUXEMBOURG
T : +352 43 42 42 1 - Fax : +352 43 42 42 200

D TRACTEL GREIFZUG GmbH

Scheidtbachstrasse 19-21
Bergisch-Gladbach 51469 GERMANY
T : +49 2202 10 04 0 - Fax : +49 2202 10 04 70

GB IRL TRACTEL UK LTD

Old Lane, Halfway
S20 3GA Sheffield UNITED KINGDOM
T : +44 114 248 22 66 - Fax : +44 114 247 33 50

E TRACTEL IBÉRICA S.A.

Carretera del Medio, 265
L'Hospitalet (Barcelona) 08907 SPAIN
T : +34 93 335 11 00 - Fax : +34 93 336 39 16

I TRACTEL ITALIANA S.p.A.

Viale Europa 50
Cologno Monzese (Milano) 20093 ITALY
T : +39 02 254 47 86 - Fax : +39 02 254 71 39

NL TRACTEL BENELUX B.V.**DK B L**

Paardeweide 38
Breda 4824 EH THE NETHERLANDS
T : +31 76 54 35 135 - Fax : +31 76 54 35 136

P LUSOTRACTEL LDA**ANG MOC**

Bario Alto Do Outeiro Armazém 1 Trajouce
Domingos De Rana (Lisboa) 2785-086 S. PORTUGAL
T : +351 214 459 800 - Fax : +351 214 459 809

PL TRACTEL POLSKA Sp. Zo.o

ul. Bysławska 82
Warszawa 04-993 POLAND
T : +48 22 616 42 44 - Fax : + 48 22 616 42 47

**CHN SHANGHAI TRACTEL MECHANICAL
EQUIPMENT TECHNOLOGY CO. Ltd**

2nd Floor, Block 1,
N° 3500 Xiupu Road, Pudong District
Shanghai 200120 PEOPLE'S REPUBLIC OF CHINA
T : +86 (0) 21 6322 5570
Fax : +86 (0) 21 5353 0982

SG TRACTEL SINGAPORE Pte Ltd

BRU CL MAL RI
50 Woodlands Industrial Park E7
Singapore 757824
T : +65 675 73113 - Fax : +65 675 73003

UAE TRACTEL SECALT SA

Al Tayer Bldg. M-4, Shk. Zayed road
DUBAI P.O. Box 25768 UNITED ARAB EMIRATES
T : +971 4 34 307 03 - Fax : +971 4 34 307 12

RUS TRACTEL RUSSIA O.O.O.

ul. Petrovka, 27
Moscow 107031 RUSSIA
Tel/Fax : +7 495 989 5135

MEX TRACTEL MEXICO SA de CV

Galileo # 20, Oficina 504, Colonia Polanco,
Mexico, DF CP 11560
T : +52 55 67 21 8719 - F : +52 55 67 21 8718



© COPYRIGHT - ALL RIGHTS RESERVED

135305.ind-04.11-17